



Chipsmall Limited consists of a professional team with an average of over 10 year of expertise in the distribution of electronic components. Based in Hongkong, we have already established firm and mutual-benefit business relationships with customers from,Europe,America and south Asia,supplying obsolete and hard-to-find components to meet their specific needs.

With the principle of “Quality Parts,Customers Priority,Honest Operation,and Considerate Service”,our business mainly focus on the distribution of electronic components. Line cards we deal with include Microchip,ALPS,ROHM,Xilinx,Pulse,ON,Everlight and Freescale. Main products comprise IC,Modules,Potentiometer,IC Socket,Relay,Connector.Our parts cover such applications as commercial,industrial, and automotives areas.

We are looking forward to setting up business relationship with you and hope to provide you with the best service and solution. Let us make a better world for our industry!



Contact us

Tel: +86-755-8981 8866 Fax: +86-755-8427 6832

Email & Skype: info@chipsmall.com Web: www.chipsmall.com

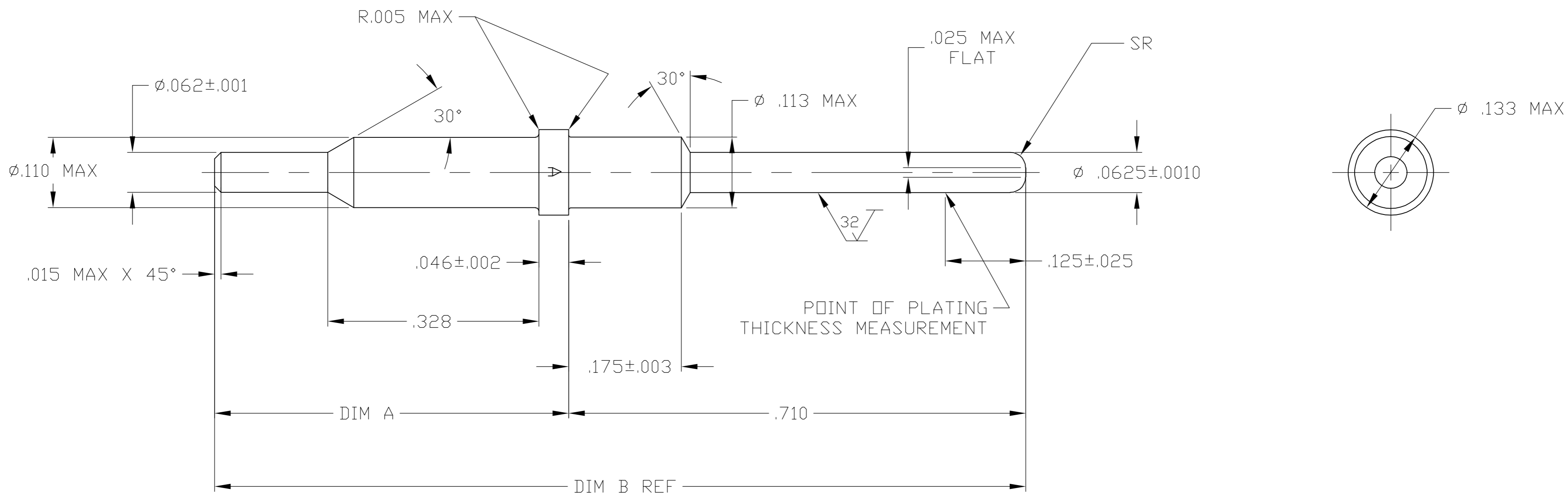
Address: A1208, Overseas Decoration Building, #122 Zhenhua RD., Futian, Shenzhen, China



THIS DRAWING IS UNPUBLISHED. RELEASED FOR PUBLICATION
 © COPYRIGHT BY TYCO ELECTRONICS CORPORATION. ALL RIGHTS RESERVED.

LOC	DIST	REVISIONS					
DF	A0	P	LTR	DESCRIPTION	DATE	DWN	APVD
		G		REV PER ECO 06-126817	7-25-06	CT	DE

- 1 MAT'L: LEADED COPPER PER ASTM-B-152.
- 2 FINISH: GOLD .000050-.000080 THK PER ASTM-B-488
OVER NICKEL .000050-.000200 THK PER AMS-QQ-N-290.



1.460 REF	.750	2	1	205548-4
1.259 REF	.550	2	1	205548-2
DIM B	DIM A	FINISH	MATERIAL	PART NO

THIS DRAWING IS A CONTROLLED DOCUMENT.		DWN C.C.THOMAS 2-25-05	Tyco Electronics Corporation Harrisburg, Pa 17105-3608	
DIMENSIONS: INCHES		CHK D.EABY 2-28-05		
TOLERANCES UNLESS OTHERWISE SPECIFIED:		APVD D.EABY 2-28-05	NAME PIN, SIZE 16, ARINC 404, (SPECIAL)	
0 PLC ± - 1 PLC ± - 2 PLC ± - 3 PLC ± .005 4 PLC ± .0005 ANGLES ± 5°		PRODUCT SPEC -	RESTRICTED TO -	
MATERIAL SEE TABLE		APPLICATION SPEC -	SIZE A2	CAGE CODE 00779
FINISH SEE TABLE		WEIGHT -	DRAWING NO C=205548	
		CUSTOMER DRAWING	SCALE 8:1	SHEET 1 OF 1