



Chipsmall Limited consists of a professional team with an average of over 10 year of expertise in the distribution of electronic components. Based in Hongkong, we have already established firm and mutual-benefit business relationships with customers from,Europe,America and south Asia,supplying obsolete and hard-to-find components to meet their specific needs.

With the principle of “Quality Parts,Customers Priority,Honest Operation,and Considerate Service”,our business mainly focus on the distribution of electronic components. Line cards we deal with include Microchip,ALPS,ROHM,Xilinx,Pulse,ON,Everlight and Freescale. Main products comprise IC,Modules,Potentiometer,IC Socket,Relay,Connector.Our parts cover such applications as commercial,industrial, and automotives areas.

We are looking forward to setting up business relationship with you and hope to provide you with the best service and solution. Let us make a better world for our industry!



Contact us

Tel: +86-755-8981 8866 Fax: +86-755-8427 6832

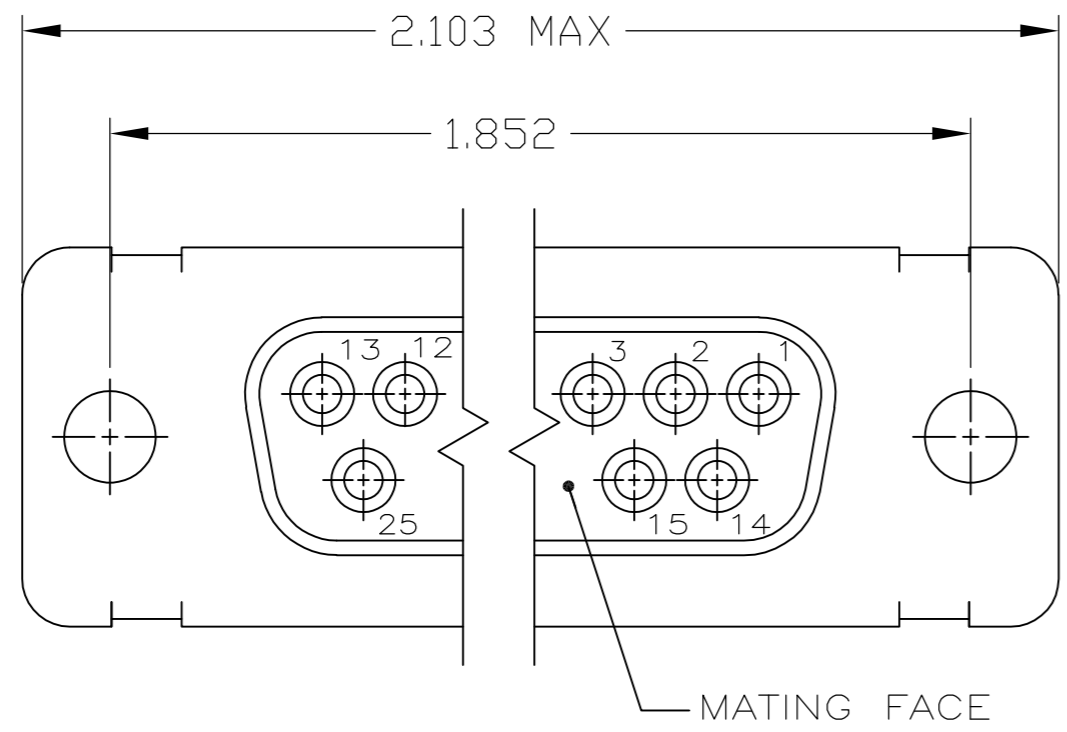
Email & Skype: info@chipsmall.com Web: www.chipsmall.com

Address: A1208, Overseas Decoration Building, #122 Zhenhua RD., Futian, Shenzhen, China



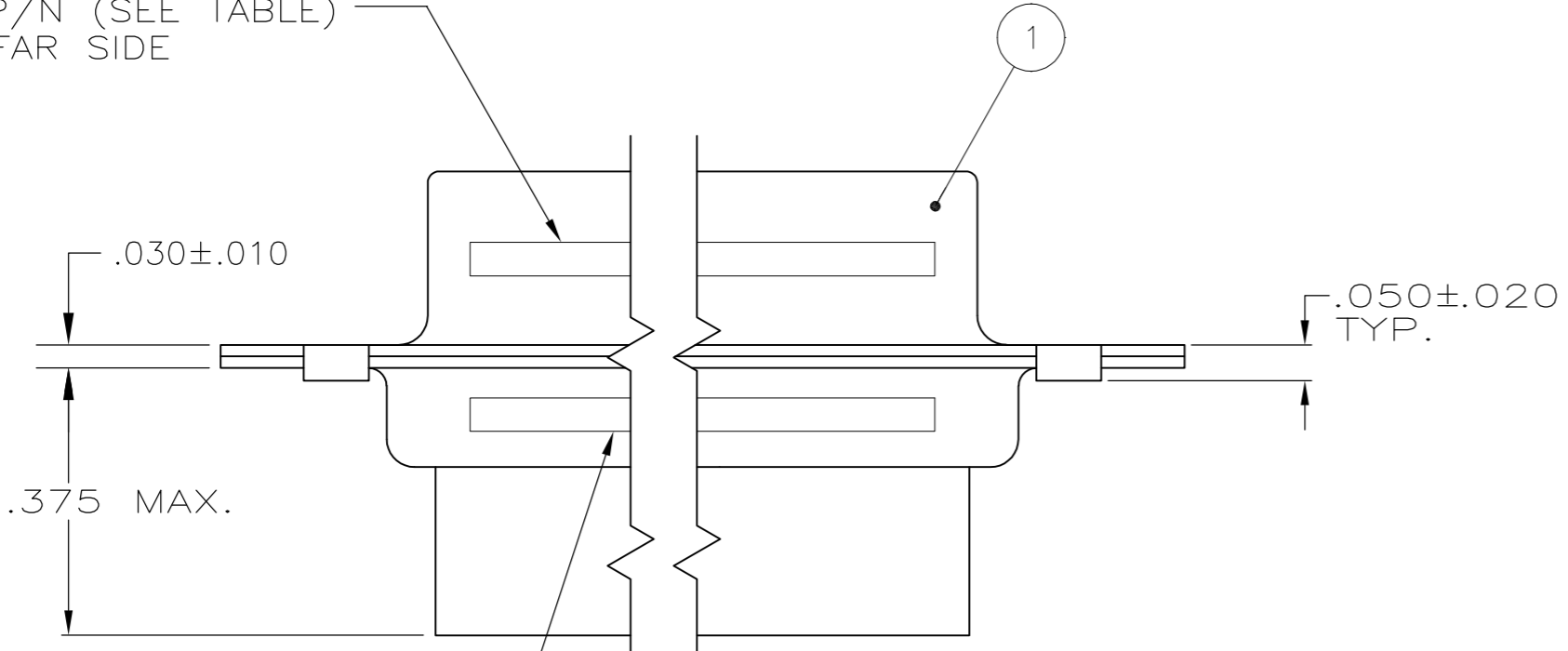
THIS DRAWING IS UNPUBLISHED. RELEASED FOR PUBLICATION
 © COPYRIGHT - By - ALL RIGHTS RESERVED.

LOC		DIST		REVISIONS			
P	LTR	DESCRIPTION	DATE	DWN	APVD		
	J	REVISED PER ECO-11-021069	09NOV11	PY	RL		

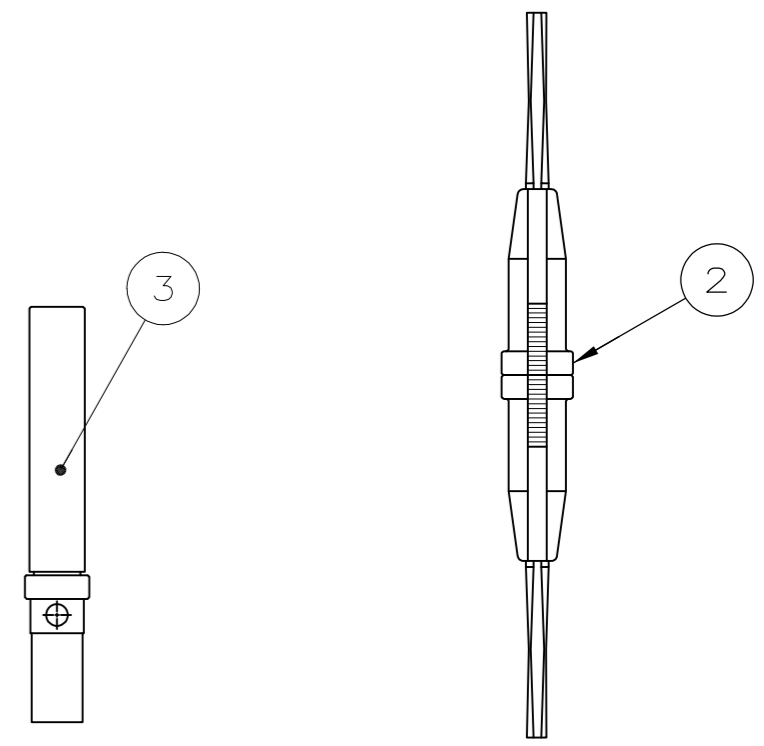
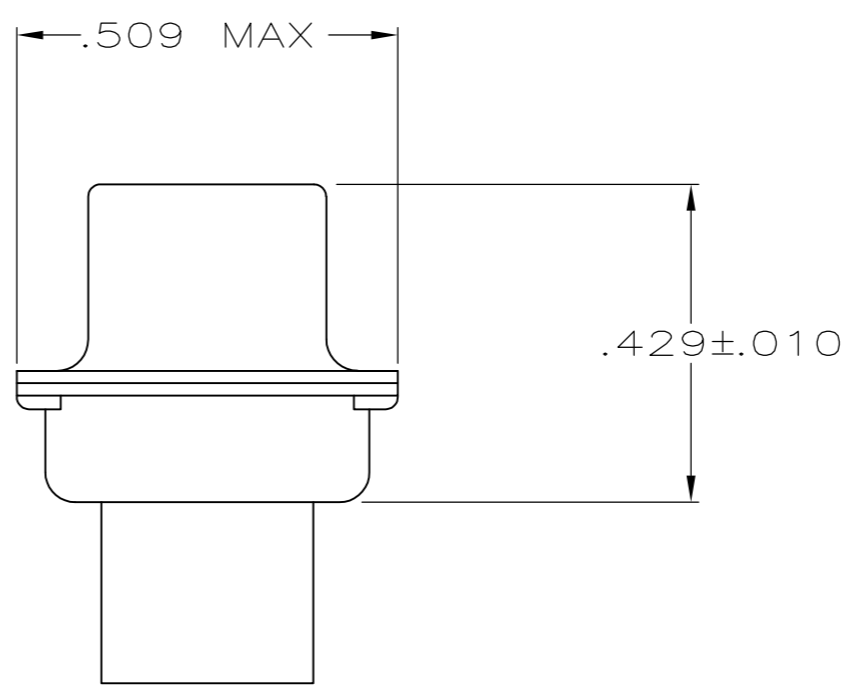


1 FOR CONNECTOR ASSEMBLIES, TE CONNECTIVITY CONTACT PART NOS. 205090-1 MUST BE ORDERED SEPARATELY. CONNECTORS WITH CONTACTS ARE SUPPLIED WITH CONTACT 205090-1

MILITARY P/N (SEE TABLE) MARKED, FAR SIDE



MFG'S NAME, BRAND OR LOGO AND DATE CODE MARKED, FAR SIDE



SUPERSEDED BY 206801-2 & 206793-1 AND 91067-2	205433-3	M24308/6-8F	205090-1	91067-2	205165-2	205559-5
SUPERSEDED BY 206801-2 AND 206793-1	205433-3	M24308/6-3F	205090-1	-	205165-2	205559-4
	205433-3	M24308/2-8F	205090-1	91067-2	205165-1	205559-3
	205433-2	M24308/2-3F	205090-1	-	205165-1	205559-2
SUPERSEDED BY 205165-1 AND 91067-2	205433-1	-	-	91067-2	205165-1	205559-1
P/N MARKED ON PACKAGE	MILITARY P/N MARKED ON PACKAGE	3 SOCKET CONTACT QTY. = 25	1	2 INSERTION/EXTRACTION TOOL QTY. = 1	1 RECEPTACLE ASSY QTY. = 1	PART NUMBER

THIS DRAWING IS A CONTROLLED DOCUMENT.

DWN P. YEAGER 10MAR09		KIT, HDM SERIES		
CHK R. LEASE 12MAR09		RECEPTACLE, SIZE 3, 25 POSN		
APVD R. LEASE 12MAR09		SIZE A2	CAGE CODE 00779	DRAWING NO C-205559
PRODUCT SPEC		SCALE 4:1	SHEET 1 of 1	REV J
APPLICATION SPEC	CUSTOMER DRAWING			