



Chipsmall Limited consists of a professional team with an average of over 10 year of expertise in the distribution of electronic components. Based in Hongkong, we have already established firm and mutual-benefit business relationships with customers from,Europe,America and south Asia,supplying obsolete and hard-to-find components to meet their specific needs.

With the principle of “Quality Parts,Customers Priority,Honest Operation,and Considerate Service”,our business mainly focus on the distribution of electronic components. Line cards we deal with include Microchip,ALPS,ROHM,Xilinx,Pulse,ON,Everlight and Freescale. Main products comprise IC,Modules,Potentiometer,IC Socket,Relay,Connector.Our parts cover such applications as commercial,industrial, and automotives areas.

We are looking forward to setting up business relationship with you and hope to provide you with the best service and solution. Let us make a better world for our industry!



Contact us

Tel: +86-755-8981 8866 Fax: +86-755-8427 6832

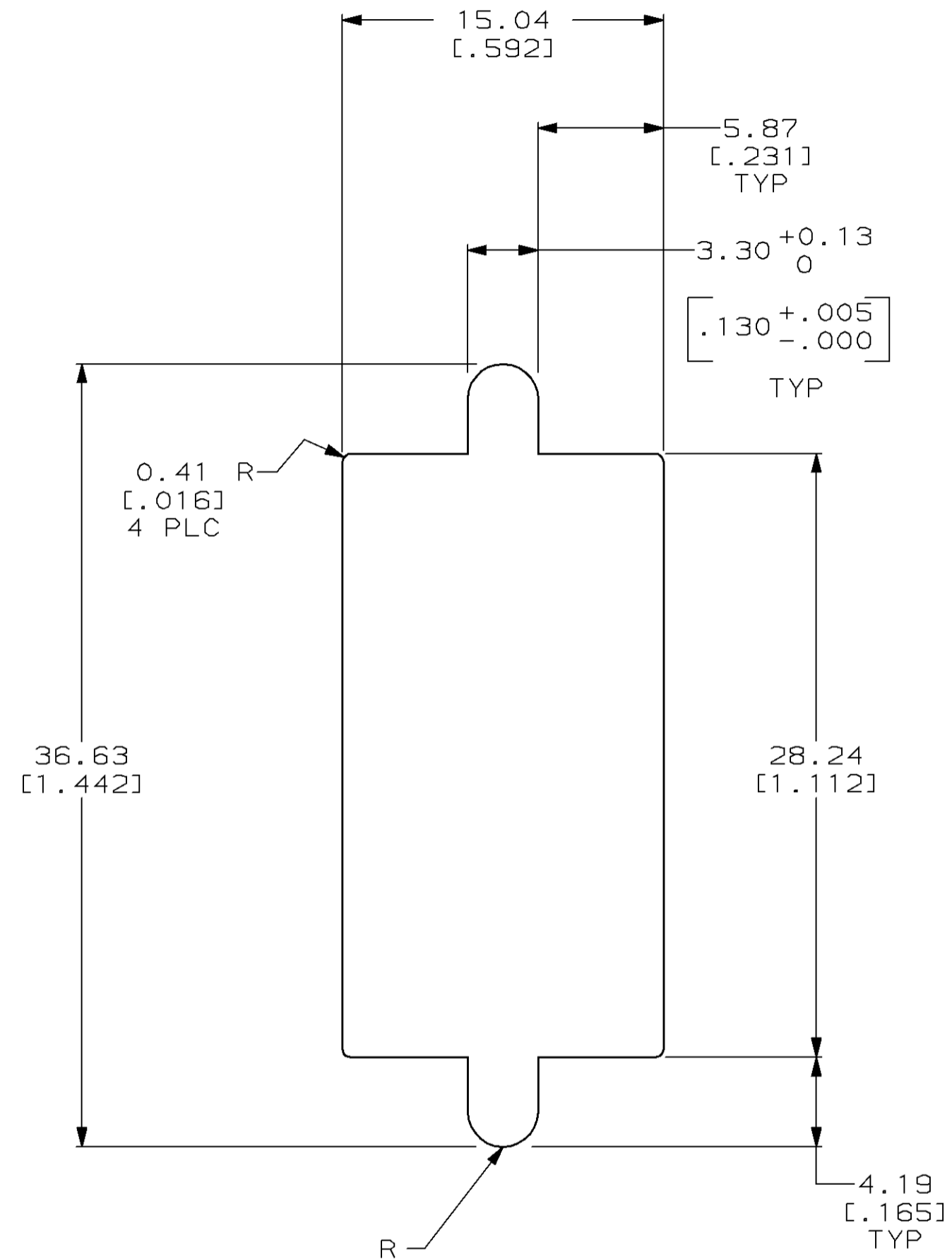
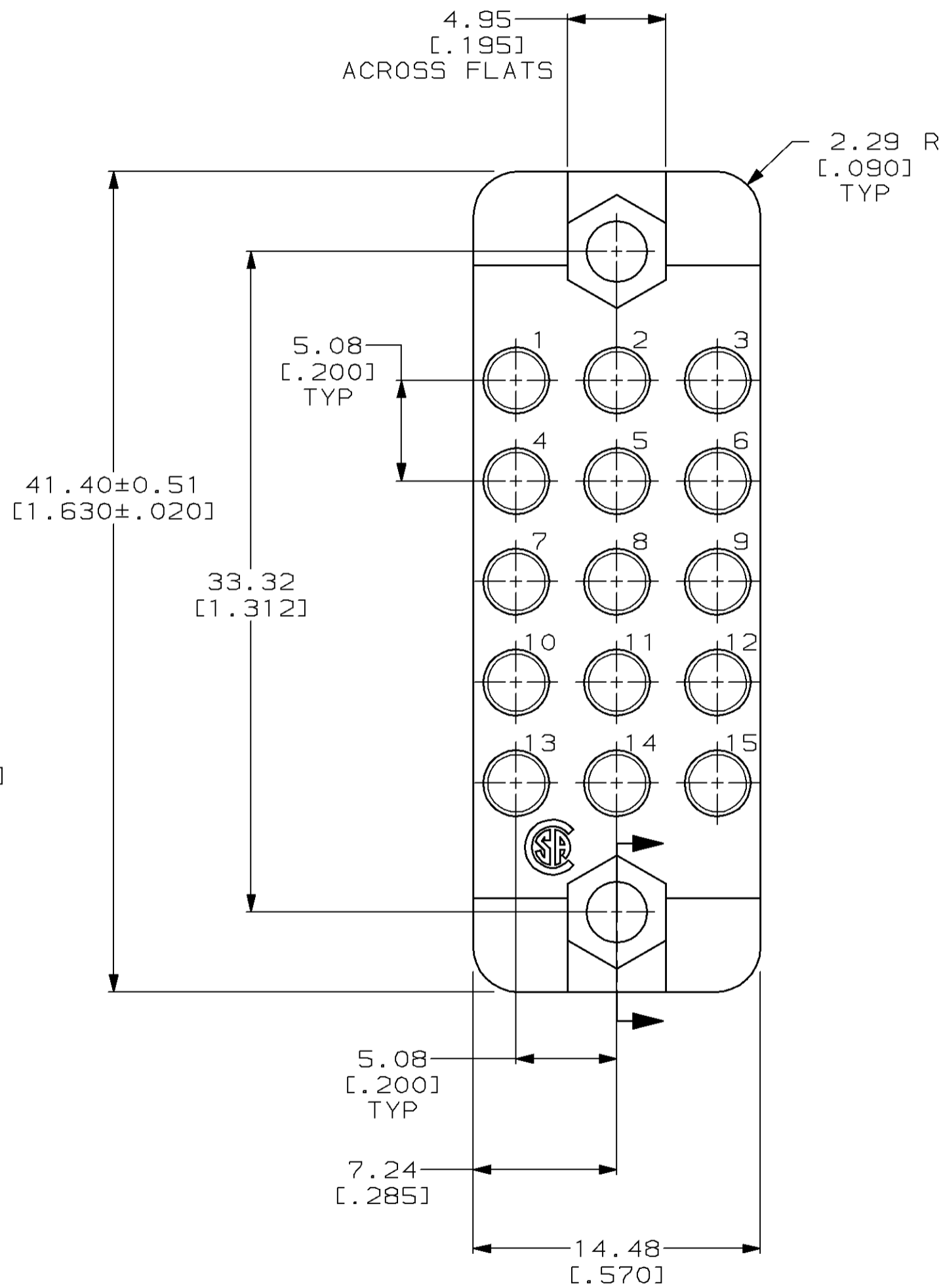
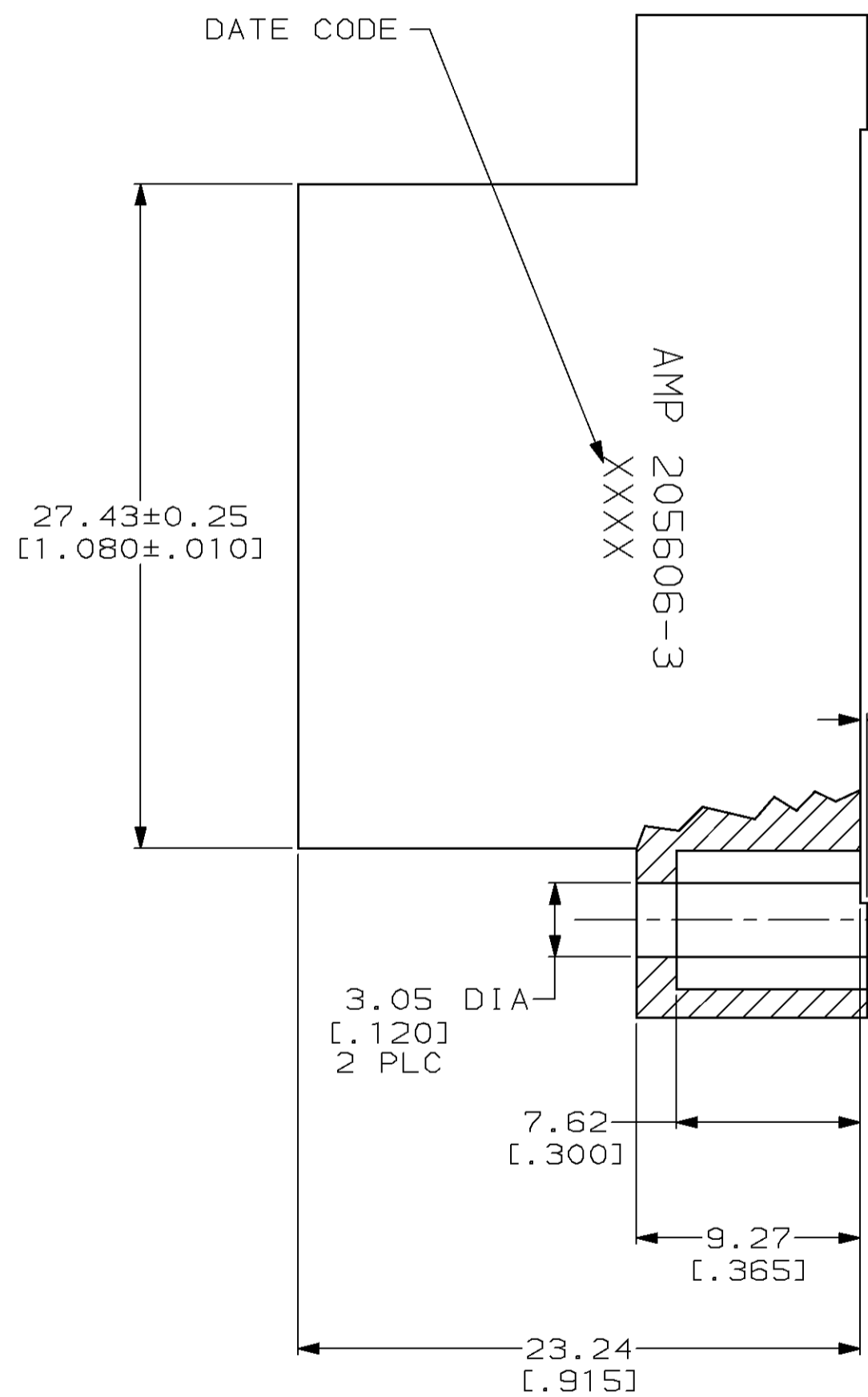
Email & Skype: info@chipsmall.com Web: www.chipsmall.com

Address: A1208, Overseas Decoration Building, #122 Zhenhua RD., Futian, Shenzhen, China



THIS DRAWING IS UNPUBLISHED. RELEASED FOR PUBLICATION
 © COPYRIGHT 19 BY AMP INCORPORATED. ALL RIGHTS RESERVED.

Loc		DIST		REVISIONS			
P	LTR	DESCRIPTION		DATE	DWN	APVD	
FT	8	E		REDRAWN W/O CHANGE PER EC 0020-289-96	09 AUG 96	-	-



RECOMMENDED PANEL CUTOUT

205606-3
PART NUMBER

- 1 PHENOLIC PER MIL-M-14, TYPE CFG, BLACK.
- 2. MATES WITH BLOCK 205607.
- 3. ACCOMODATES 15 TYPE II, OR TYPE III+ SIZE #16 SOCKET CONTACTS.

THIS DRAWING IS A CONTROLLED DOCUMENT.		DWN B. CARBO 09 AUG 96	 AMP Incorporated Harrisburg, PA 17105-3608										
DIMENSIONS: mm [INCHES]		CHK R. STONE 25 JUN 97											
TOLERANCES UNLESS OTHERWISE SPECIFIED:		APVD G. STEINHAUER 02 SEP 97	NAME BLOCK, SOCKET, 15 POSITION, .200 GRID, M SERIES										
<table border="1"> <tr><td>0 PLC</td><td>±</td></tr> <tr><td>1 PLC</td><td>±</td></tr> <tr><td>2 PLC</td><td>±0.13 [.005]</td></tr> <tr><td>3 PLC</td><td>±</td></tr> <tr><td>4 PLC</td><td>±</td></tr> </table>		0 PLC	±	1 PLC	±	2 PLC	±0.13 [.005]	3 PLC	±	4 PLC	±	PRODUCT SPEC -	SIZE A2
0 PLC	±												
1 PLC	±												
2 PLC	±0.13 [.005]												
3 PLC	±												
4 PLC	±												
MATERIAL 1		FINISH -	CAGE CODE 00779										
		WEIGHT -	DRAWING NO C-205606										
		CUSTOMER DRAWING	SCALE 4:1										
			SHEET 1 OF 1										
			REV E										