



Chipsmall Limited consists of a professional team with an average of over 10 year of expertise in the distribution of electronic components. Based in Hongkong, we have already established firm and mutual-benefit business relationships with customers from,Europe,America and south Asia,supplying obsolete and hard-to-find components to meet their specific needs.

With the principle of “Quality Parts,Customers Priority,Honest Operation,and Considerate Service”,our business mainly focus on the distribution of electronic components. Line cards we deal with include Microchip,ALPS,ROHM,Xilinx,Pulse,ON,Everlight and Freescale. Main products comprise IC,Modules,Potentiometer,IC Socket,Relay,Connector.Our parts cover such applications as commercial,industrial, and automotives areas.

We are looking forward to setting up business relationship with you and hope to provide you with the best service and solution. Let us make a better world for our industry!



Contact us

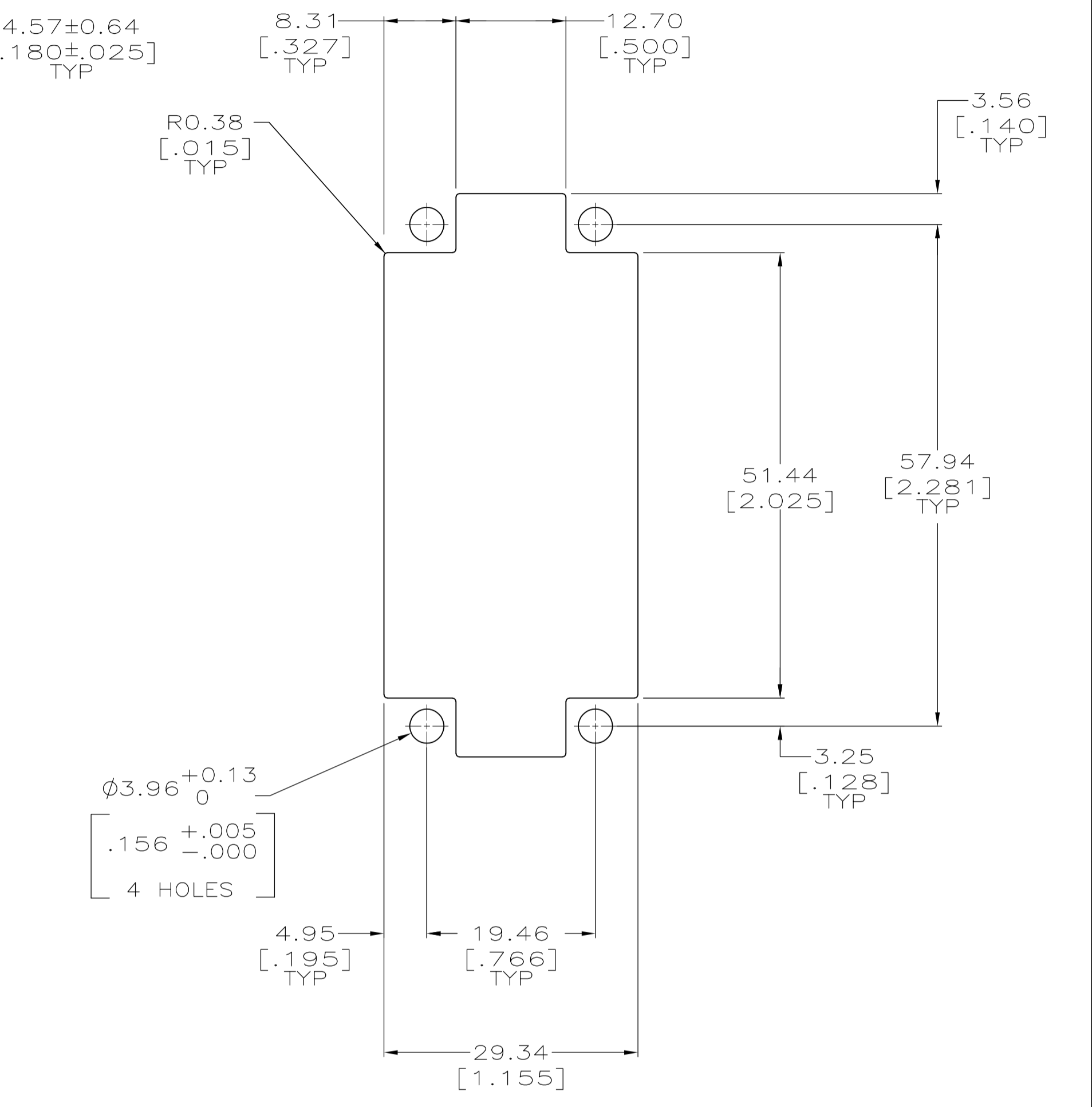
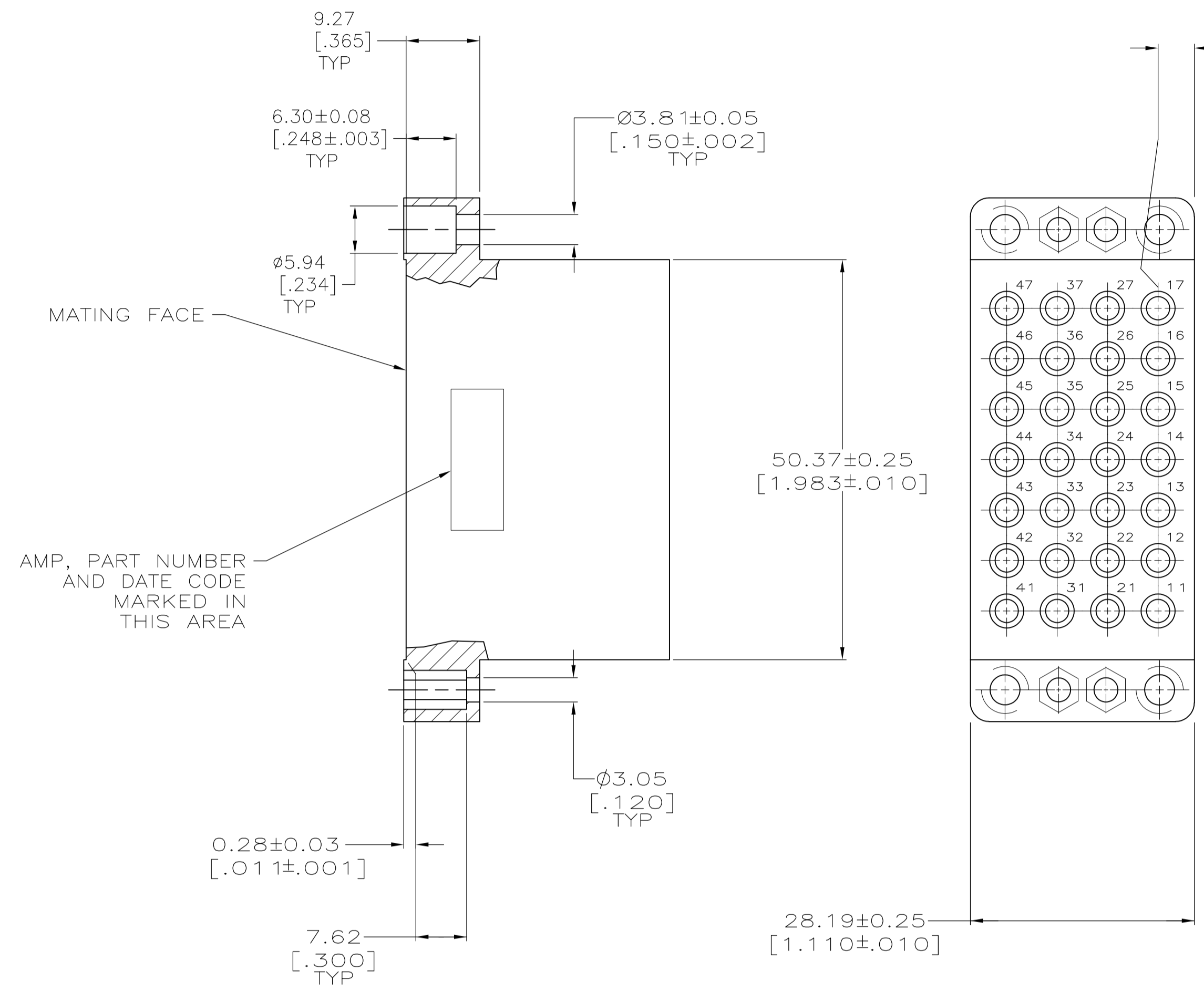
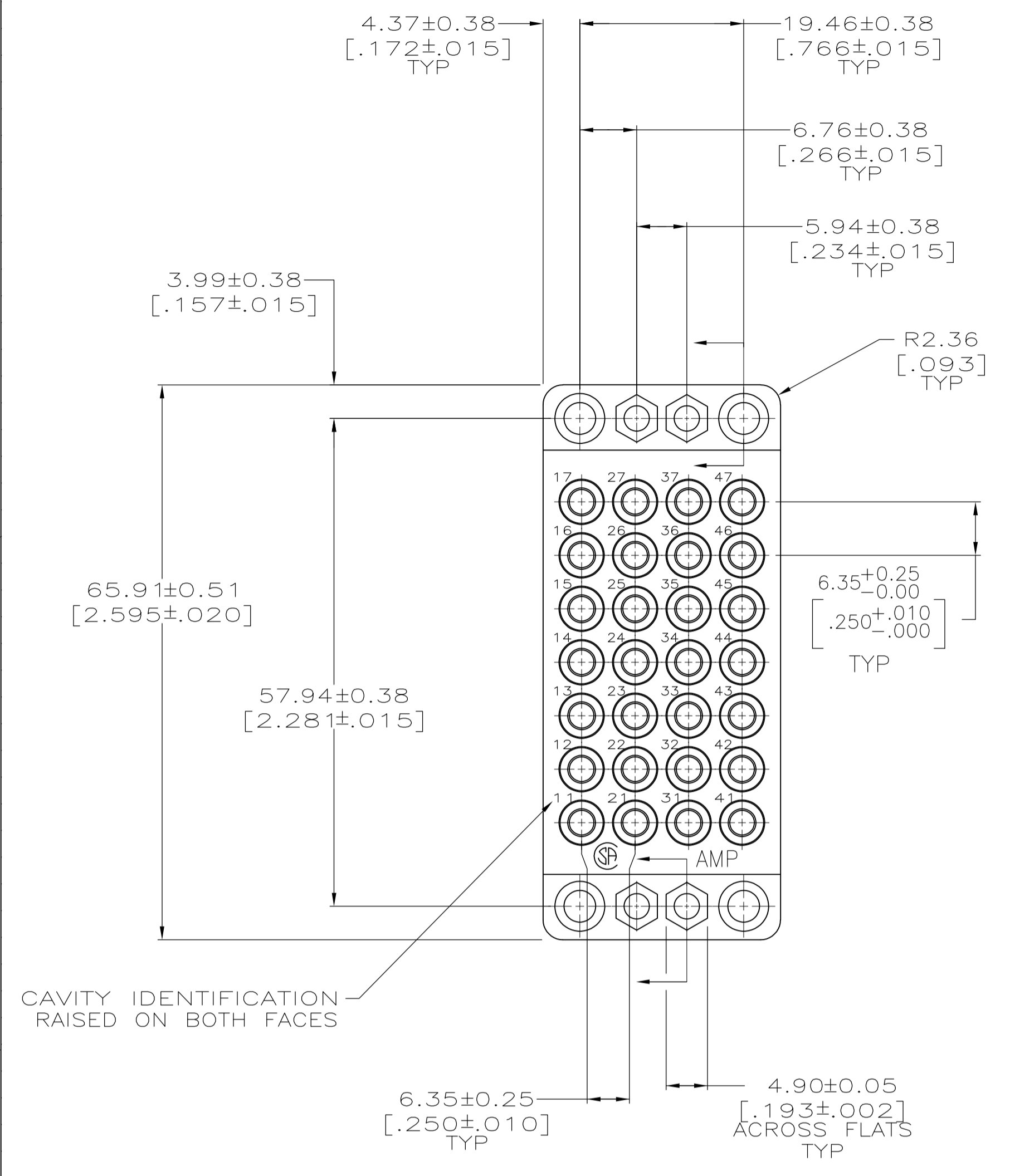
Tel: +86-755-8981 8866 Fax: +86-755-8427 6832

Email & Skype: info@chipsmall.com Web: www.chipsmall.com

Address: A1208, Overseas Decoration Building, #122 Zhenhua RD., Futian, Shenzhen, China



LOC		DIST		REVISIONS			
P	LTR	DESCRIPTION	DATE	DNW	APVD		
F		REVISED PER ECO-07-029096	12/13/07	SS	GS		



RECOMMENDED
 PANEL CUTOUT

△ PHENOLIC, BLACK PER MIL-M-14, TYPE CFG.

205689-2
 PART NUMBER

THIS DRAWING IS A CONTROLLED DOCUMENT.		DIN C. OBERMAN 23 MAY 97		Tyco Electronics Corporation Harrisburg, PA 17105-3608	
DIMENSIONS: mm [INCHES]		TOLERANCES UNLESS OTHERWISE SPECIFIED:		APVD G. STEINHÄUER 02 SEP 97	
0 PLC ± -		1 PLC ± -		NAME BLOCK, PIN, 28 POSITION, SPECIAL, M SERIES	
1 PLC ± -		2 PLC ± 0.13 [.005]		SIZE CAGE CODE DRAWING NO	
2 PLC ± -		3 PLC ± -		RESTRICTED TO	
3 PLC ± -		4 PLC ± -		WEIGHT	
4 PLC ± -		ANGLES ± -		A1 00779 C=205689	
MATERIAL 1		FINISH -		CUSTOMER DRAWING	
		SCALE 2:1		SHEET 1 of 1 REV F	