



Chipsmall Limited consists of a professional team with an average of over 10 year of expertise in the distribution of electronic components. Based in Hongkong, we have already established firm and mutual-benefit business relationships with customers from,Europe,America and south Asia,supplying obsolete and hard-to-find components to meet their specific needs.

With the principle of “Quality Parts,Customers Priority,Honest Operation,and Considerate Service”,our business mainly focus on the distribution of electronic components. Line cards we deal with include Microchip,ALPS,ROHM,Xilinx,Pulse,ON,Everlight and Freescale. Main products comprise IC,Modules,Potentiometer,IC Socket,Relay,Connector.Our parts cover such applications as commercial,industrial, and automotives areas.

We are looking forward to setting up business relationship with you and hope to provide you with the best service and solution. Let us make a better world for our industry!



## Contact us

Tel: +86-755-8981 8866 Fax: +86-755-8427 6832

Email & Skype: info@chipsmall.com Web: www.chipsmall.com

Address: A1208, Overseas Decoration Building, #122 Zhenhua RD., Futian, Shenzhen, China



DRAWING MADE IN AMERICAN PROJECTION

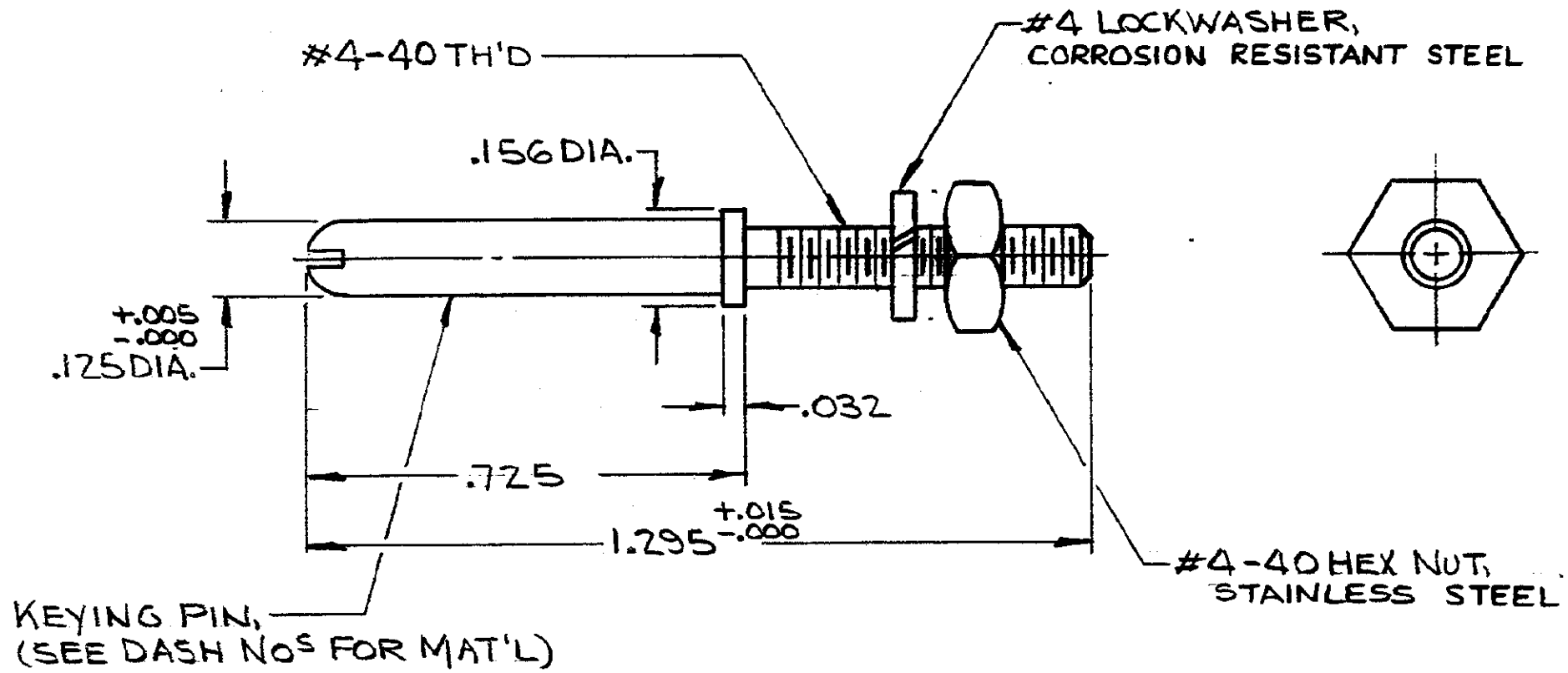
© 1971 BY AMP INCORPORATED. ALL RIGHTS RESERVED. AMP PRODUCTS COVERED BY PATENTS AND/OR PATENTS PENDING.

Unpublished copy not to be reproduced or published without written permission of AMP Incorporated.

REVISIONS				
ZONE	LTR	DESCRIPTION	DATE	APPROVED
	0	REDRAWN & RELEASED, WAS 5041-435	9/24/71	W/O/S
	A	REV. PER ECN D-644	10-9-75	W/O/S
	B	REV. PER ECN G-117	AWZ 3/15/79	DK
	C	REV PER ECN H-017	5-21-82	W/O/S
	D	OBS-2; ECN DF-0364	MS 10-18-88	W/O/S

205694-1 1. AS SHOWN  
 2. MAT'L-BRASS, ZINC  
 PLATED PER QQ-Z-325 TYPE II, CLASS 3.

205694-2 [REDACTED] STEEL,



1. PARTS PACKAGED UNASSEMBLED.

UNLESS OTHERWISE SPECIFIED DIMENSIONS ARE IN INCHES. TOLERANCES ON: DECIMALS ±.005 ANGLES ±	CONTRACT NO.		AMP INCORPORATED HARRISBURG, PENNSYLVANIA	
	DR	9/24/71	NAME PIN ASSY, KEYING, LONG "HDR" SERIES	
	APPD	9/28/71	SIZE	CODE IDENT NO.
	REL	9/29/71	B	00779
MATERIAL SEE CALLOUT	OSGN APPD	NUMBER	205694	
OTHER APPD	SCALE	SHEET		1 OF 1