



Chipsmall Limited consists of a professional team with an average of over 10 year of expertise in the distribution of electronic components. Based in Hongkong, we have already established firm and mutual-benefit business relationships with customers from,Europe,America and south Asia,supplying obsolete and hard-to-find components to meet their specific needs.

With the principle of “Quality Parts,Customers Priority,Honest Operation,and Considerate Service”,our business mainly focus on the distribution of electronic components. Line cards we deal with include Microchip,ALPS,ROHM,Xilinx,Pulse,ON,Everlight and Freescale. Main products comprise IC,Modules,Potentiometer,IC Socket,Relay,Connector.Our parts cover such applications as commercial,industrial, and automotives areas.

We are looking forward to setting up business relationship with you and hope to provide you with the best service and solution. Let us make a better world for our industry!



Contact us

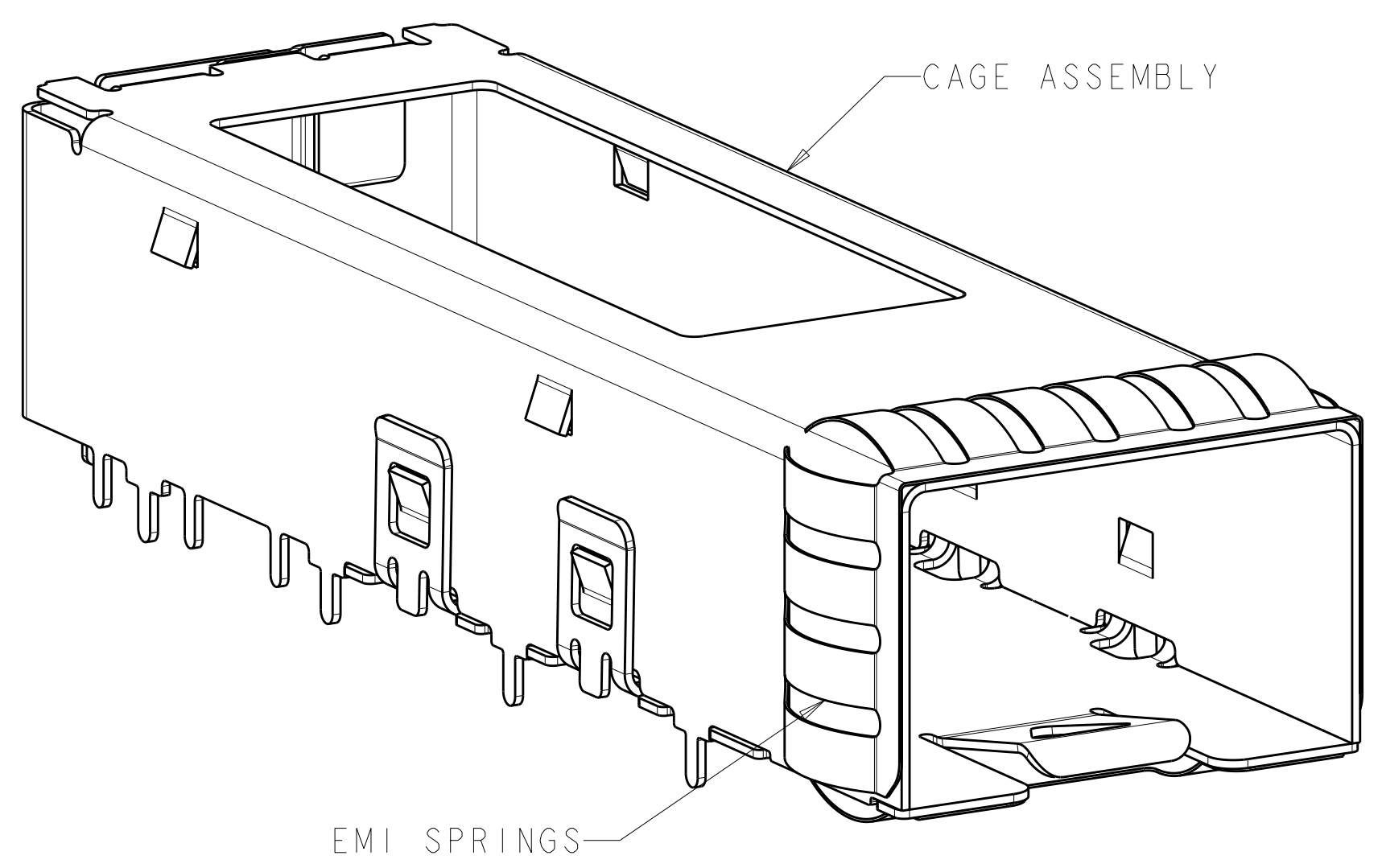
Tel: +86-755-8981 8866 Fax: +86-755-8427 6832

Email & Skype: info@chipsmall.com Web: www.chipsmall.com

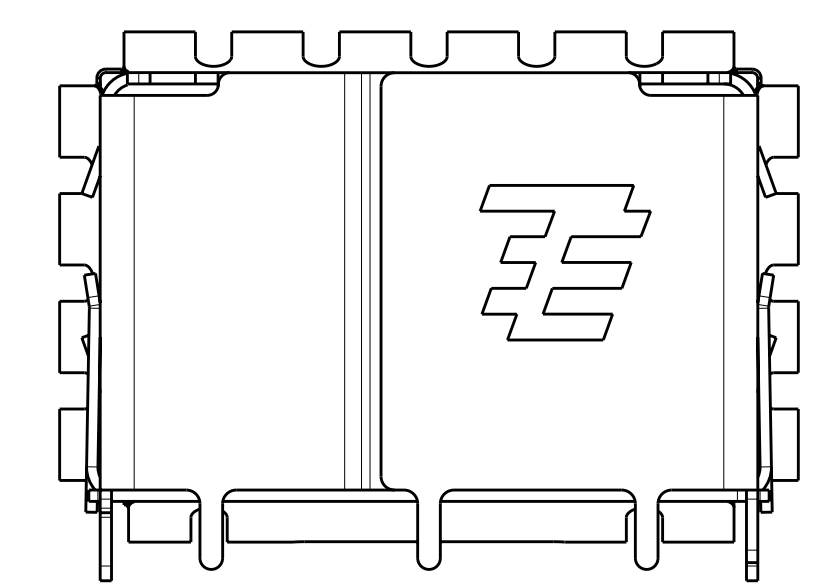
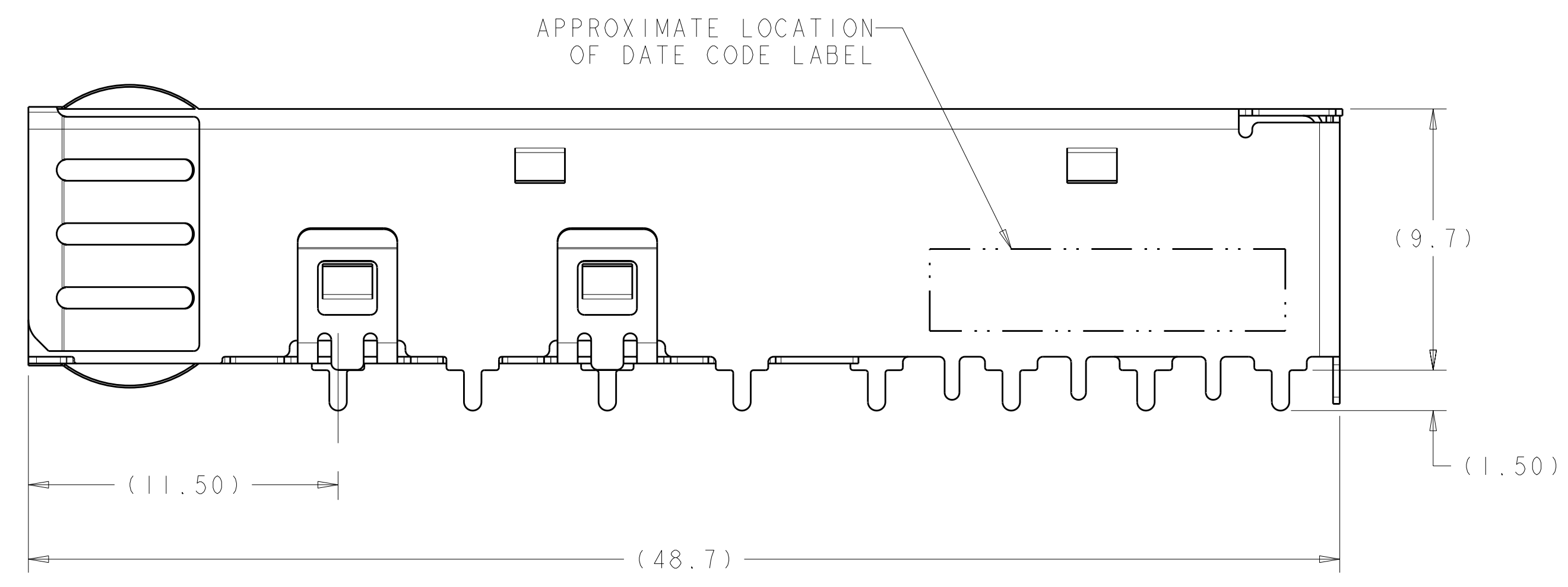
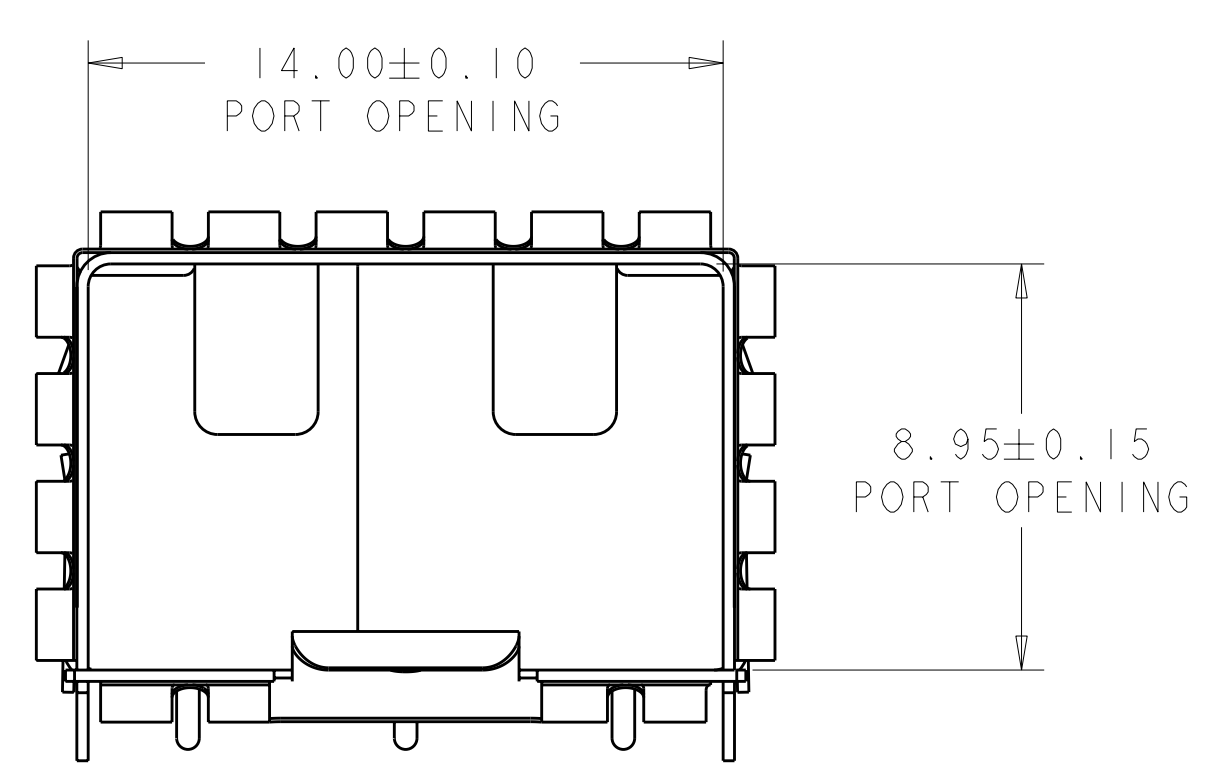
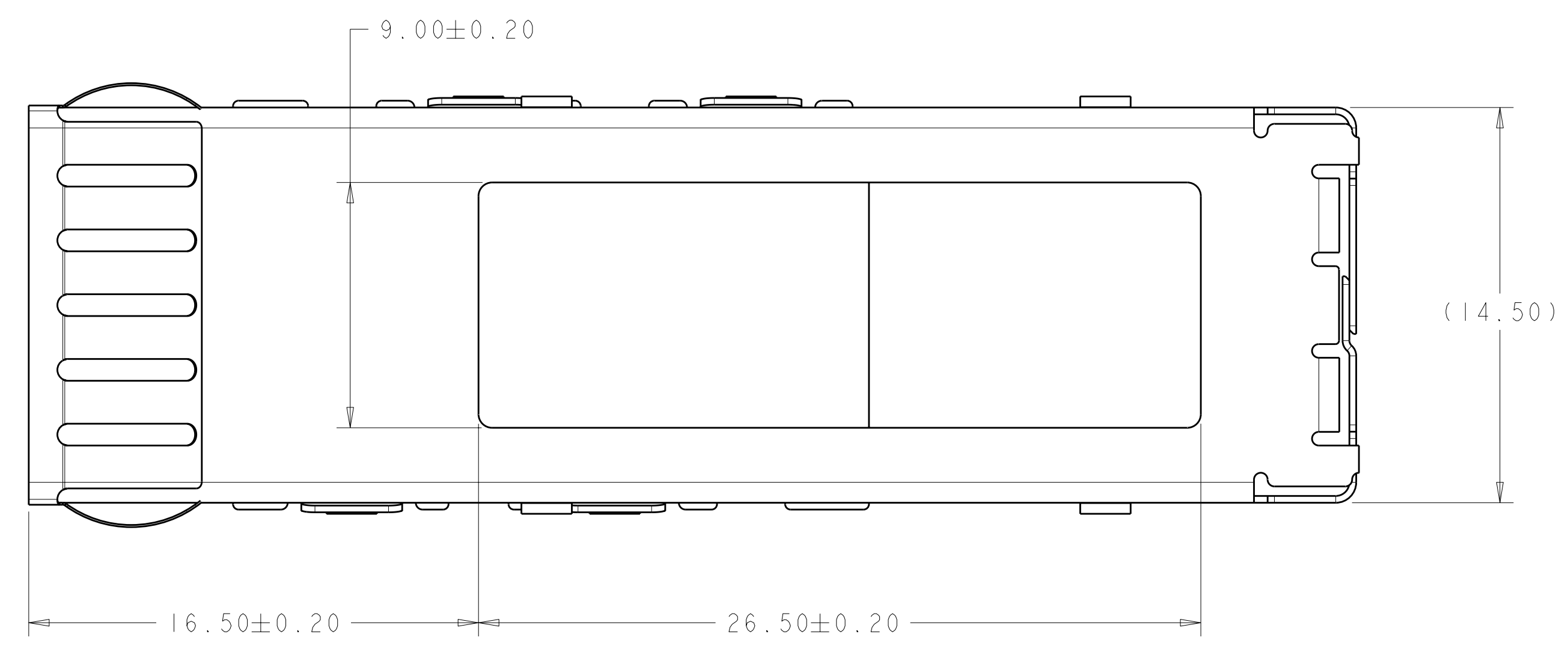
Address: A1208, Overseas Decoration Building, #122 Zhenhua RD., Futian, Shenzhen, China



LOC	DIST	REVISIONS			
GP	00	REV	DATE	BY	CHK
		B	20OCT2009	CR	MS
		C	16JAN2012	TX	AC



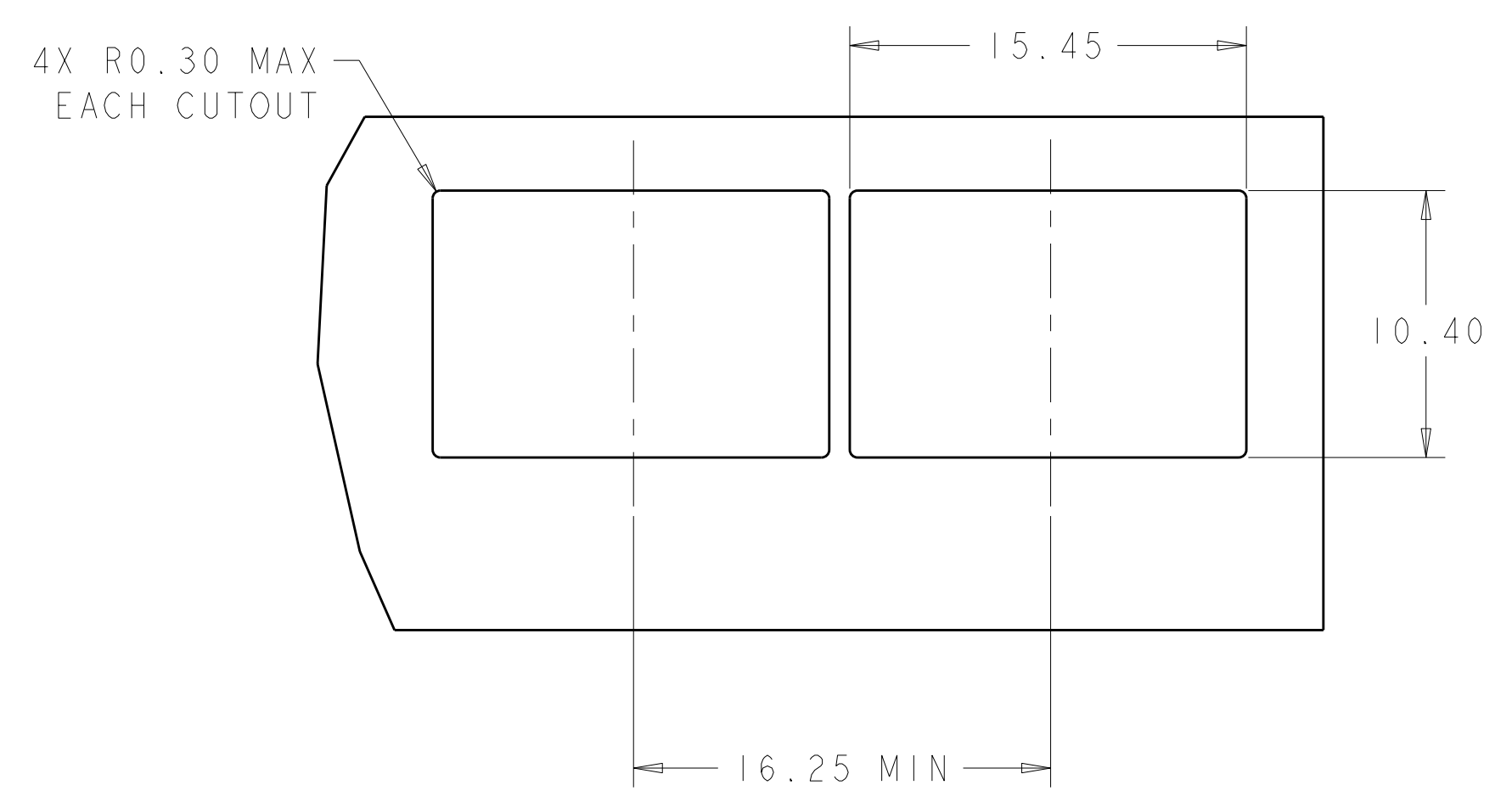
- 1 MATERIAL:
CAGE ASSEMBLY - NICKEL-SILVER ALLOY.
EMI SPRINGS - COPPER ALLOY.
- 2 FINISH:
EMI SPRINGS - 0.8um MIN MATTE TIN OVER 0.8um MIN NICKEL
NON PLATED EDGES PERMISSIBLE.
- 3. MATES WITH SFP MSA COMPLIANT TRANSCEIVERS.
- 4 PADS AND VIAS CHASSIS GROUND.
- 5 DATUMS AND BASIC DIMENSIONS ESTABLISHED BY CUSTOMER.
- 6. MINIMUM PC BOARD THICKNESS:
SINGLE SIDED = 1.50mm
- 7. REMOVED



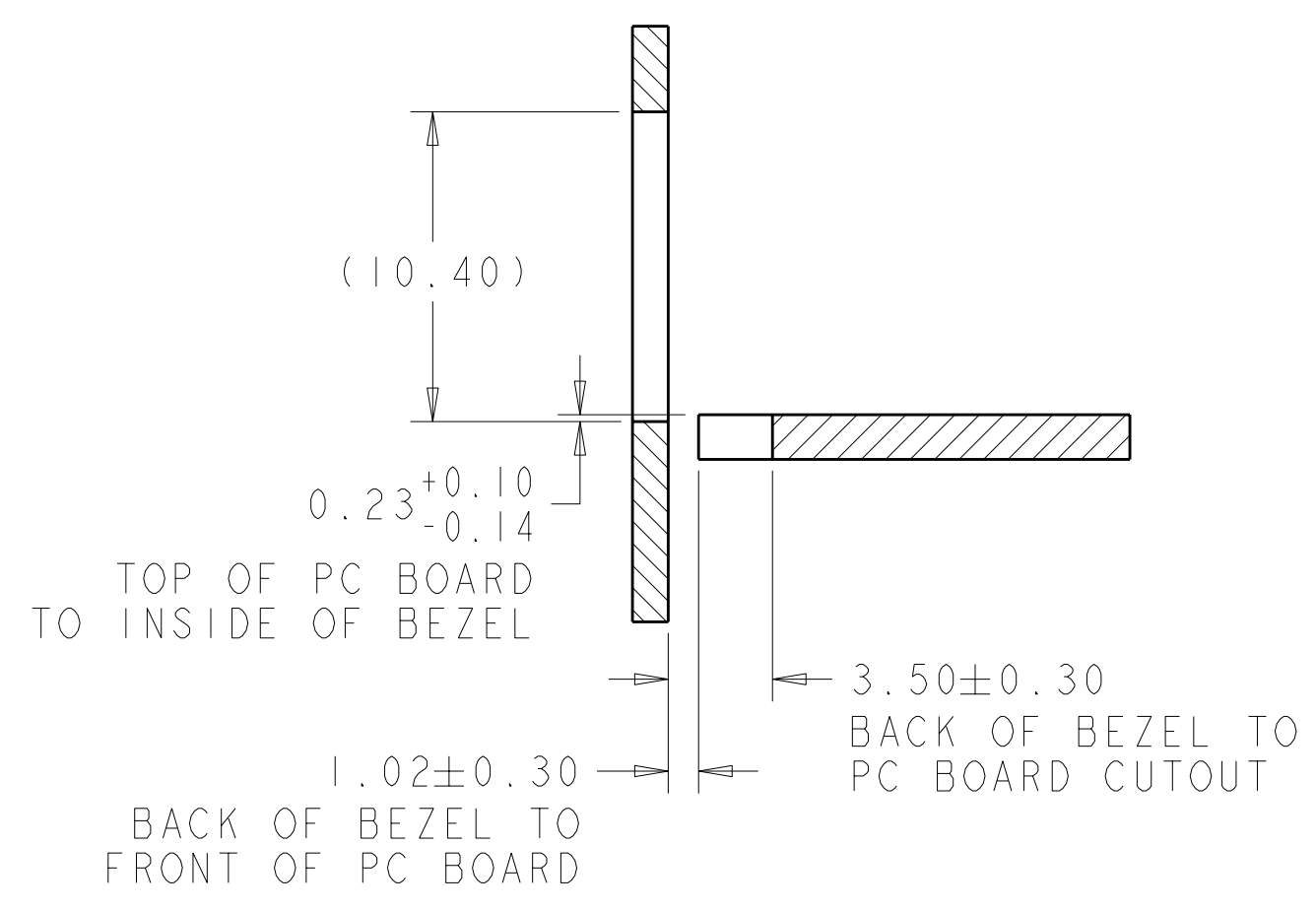
2057021-1
PART NUMBER

THIS DRAWING IS A CONTROLLED DOCUMENT.		DWN M. SCHMITT 21FEB2008	TE Connectivity	
DIMENSIONS: mm		CHK M. SCHMITT 21FEB2008		
TOLERANCES UNLESS OTHERWISE SPECIFIED:		APVD M. WALMSLEY 21FEB2008		
9 PLC ±0.1	2 PLC ±0.1	PRODUCT SPEC	NAME SFP+ 1X1 CAGE ASSEMBLY W/ HEATSINK OPENING, SHORT SOLDER TAILS, EXTERNAL EMI SPRINGS	
3 PLC ±0.1	5 PLC ±0.05	108-2364	APPLICATION SPEC	
4 PLC ±0.05	ANGLES ±0.05	114-13120	SIZE CAGE CODE DRAWING NO RESTRICTED TO	
MATERIAL	FINISH	WEIGHT	A100779C=2057021	
CUSTOMER DRAWING		SCALE 6:1	SHEET 1 OF 2	REV C

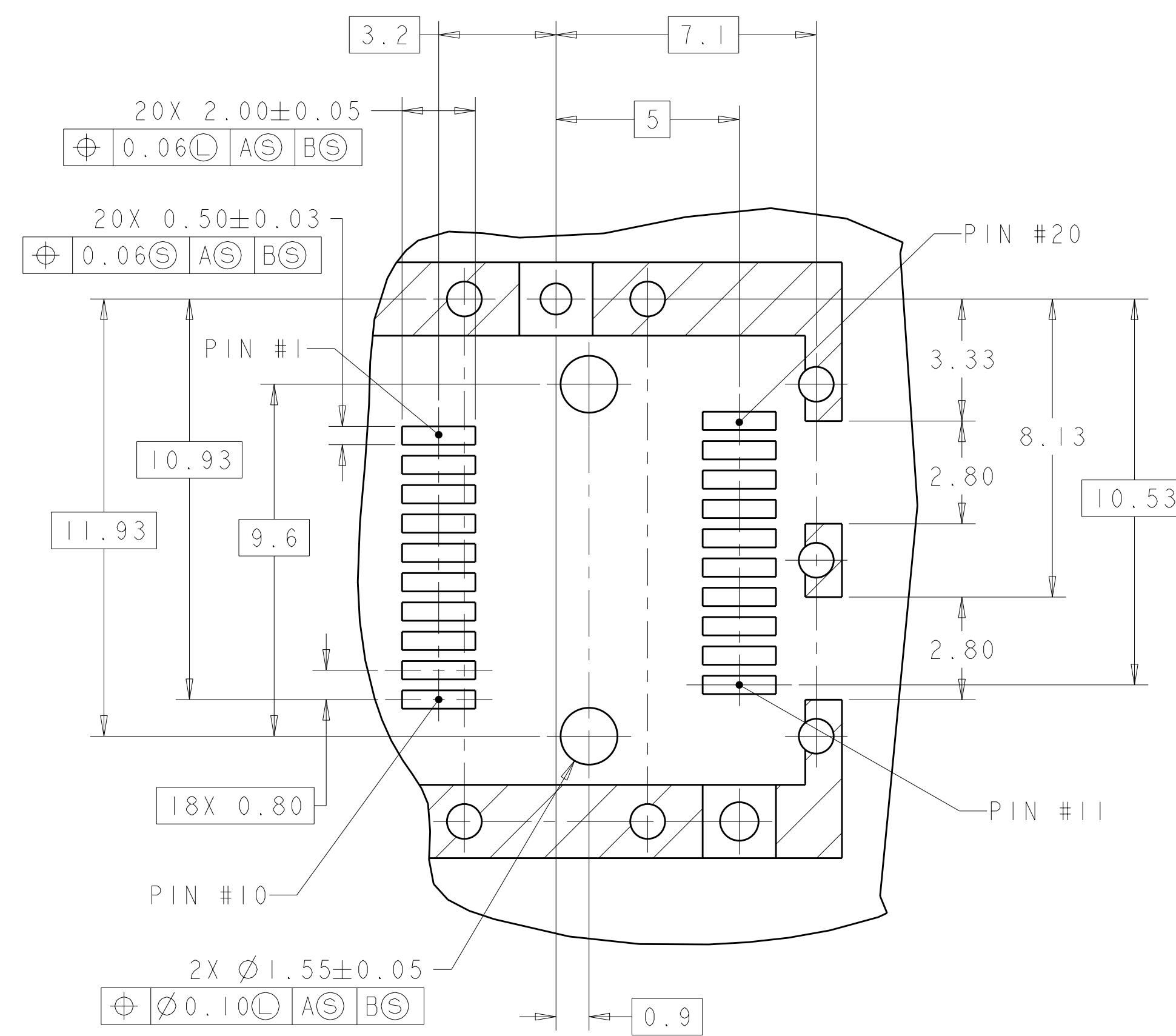
LOC	DIST	REV	DATE	BY	APPD
GP	00				



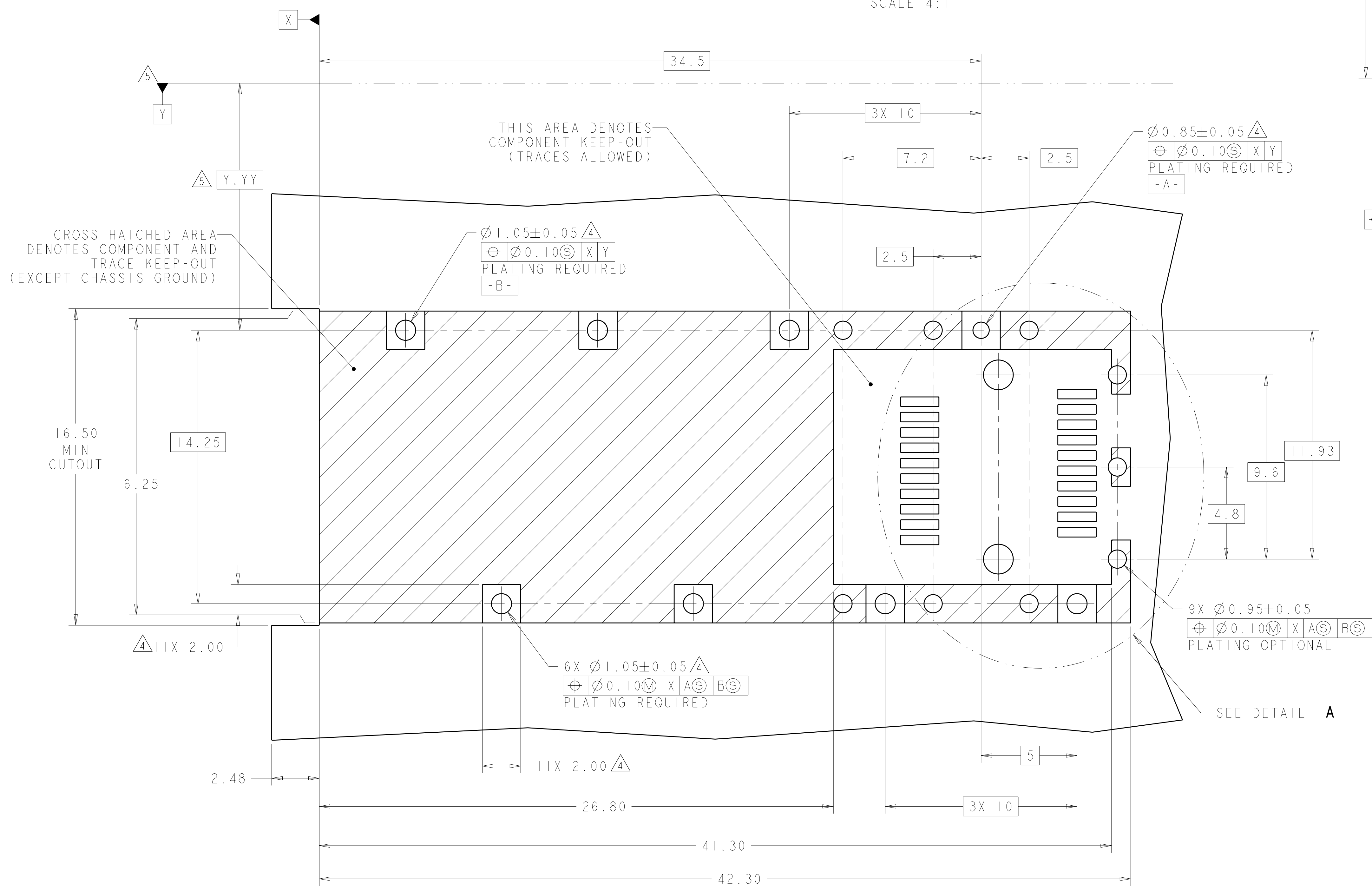
RECOMMENDED BEZEL CUTOUT
SCALE 4:1



RECOMMENDED BEZEL AND
PC BOARD ORIENTATION
SCALE 4:1



DETAIL A
SCALE 8:1



RECOMMENDED PCB LAYOUT
SCALE 8:1

THIS DRAWING IS A CONTROLLED DOCUMENT.		DWN M. SCHMITT 2/FEB/2008	TE Connectivity
DIMENSIONS: mm		CHK M. SCHMITT 2/FEB/2008	
TOLERANCES UNLESS OTHERWISE SPECIFIED:		APVD M. WALMSLEY 2/FEB/2008	NAME: SFP+ 1X1 CAGE ASSEMBLY W/ HEATSINK OPENING, SHORT SOLDER TAILS, EXTERNAL EMI SPRINGS
9 PLC	±0.1	PRODUCT SPEC	108-2364
3 PLC	±0.1	APPLICATION SPEC	114-13120
5 PLC	±0.05	WEIGHT	A100779C=2057021
4 PLC	±0.05	CUSTOMER DRAWING	SCALE 6:1 SHEET 2 OF 2 REV C