



Chipsmall Limited consists of a professional team with an average of over 10 year of expertise in the distribution of electronic components. Based in Hongkong, we have already established firm and mutual-benefit business relationships with customers from,Europe,America and south Asia,supplying obsolete and hard-to-find components to meet their specific needs.

With the principle of “Quality Parts,Customers Priority,Honest Operation,and Considerate Service”,our business mainly focus on the distribution of electronic components. Line cards we deal with include Microchip,ALPS,ROHM,Xilinx,Pulse,ON,Everlight and Freescale. Main products comprise IC,Modules,Potentiometer,IC Socket,Relay,Connector.Our parts cover such applications as commercial,industrial, and automotives areas.

We are looking forward to setting up business relationship with you and hope to provide you with the best service and solution. Let us make a better world for our industry!



Contact us

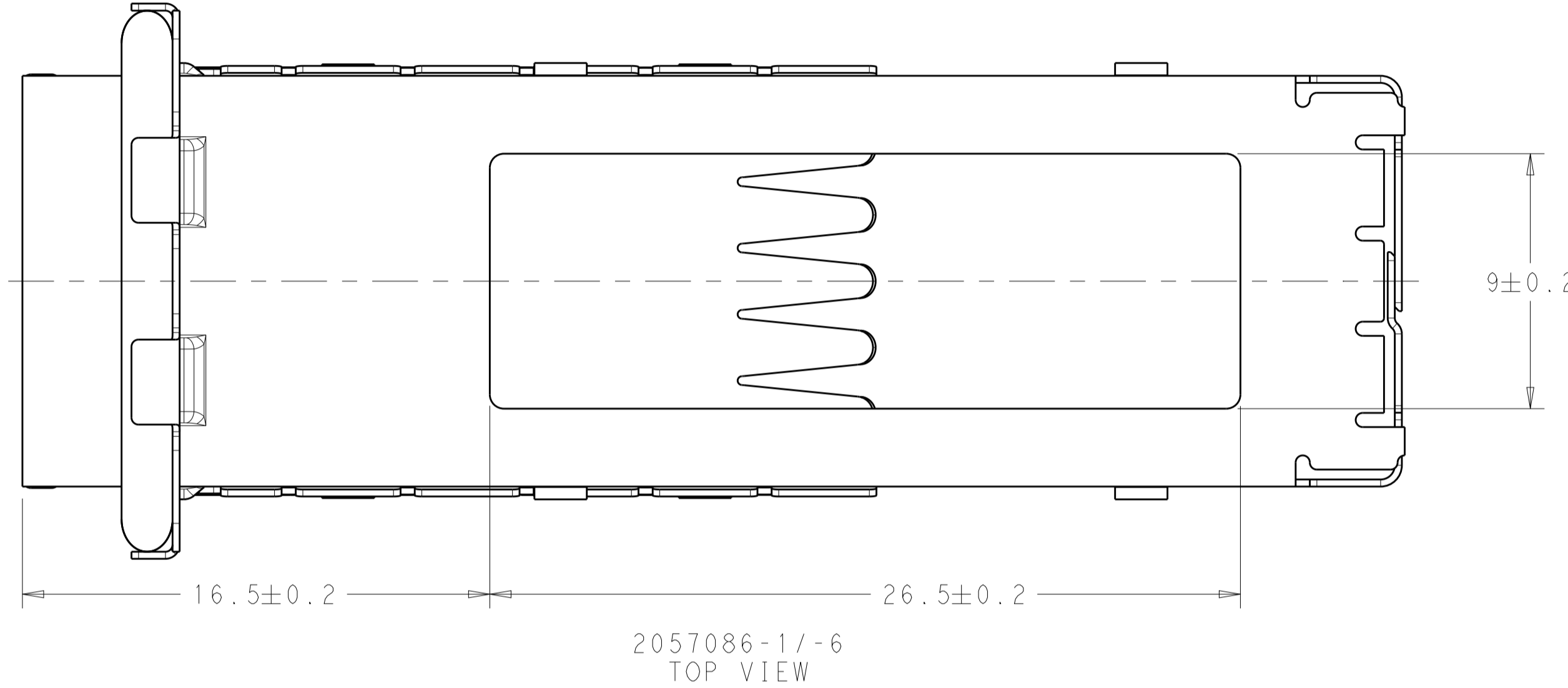
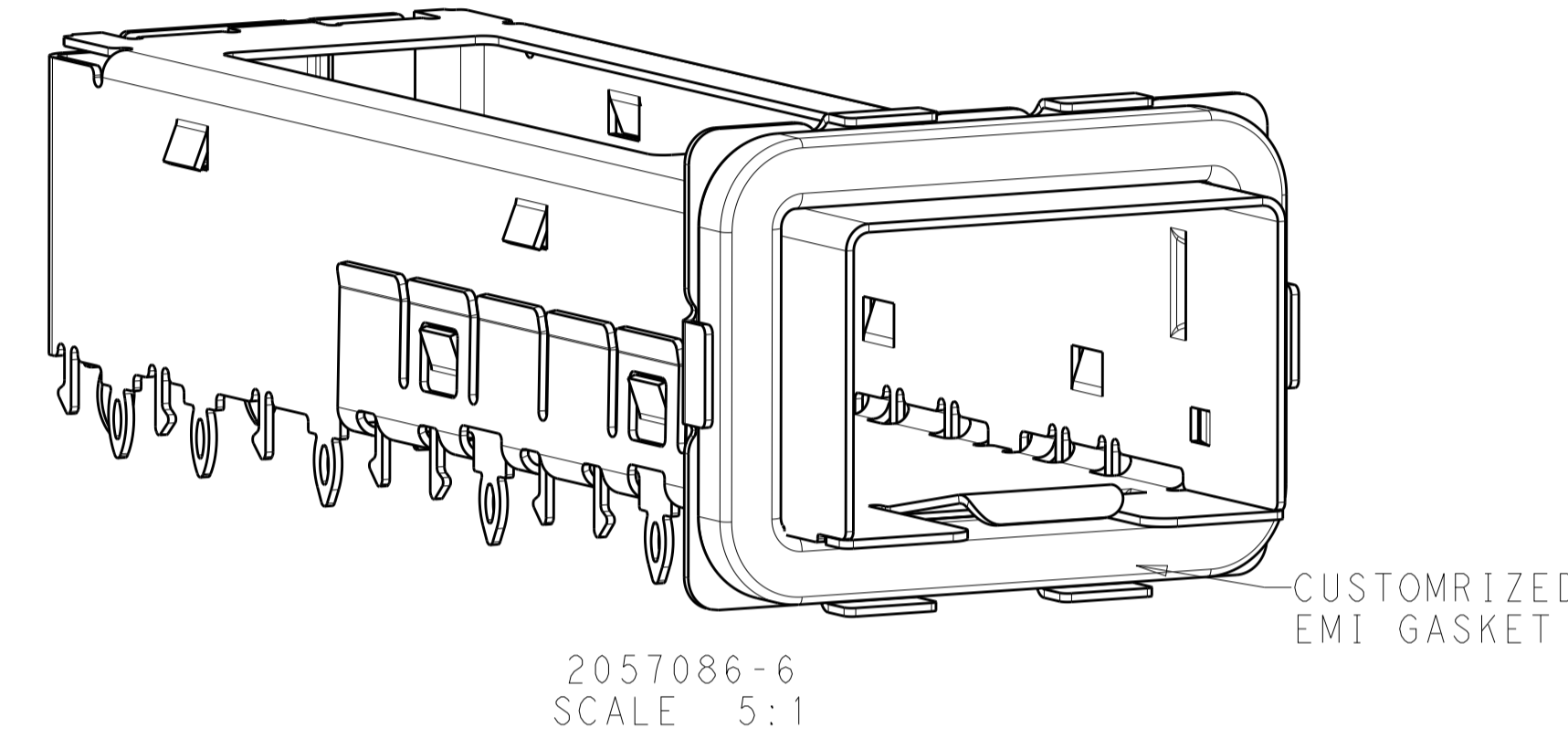
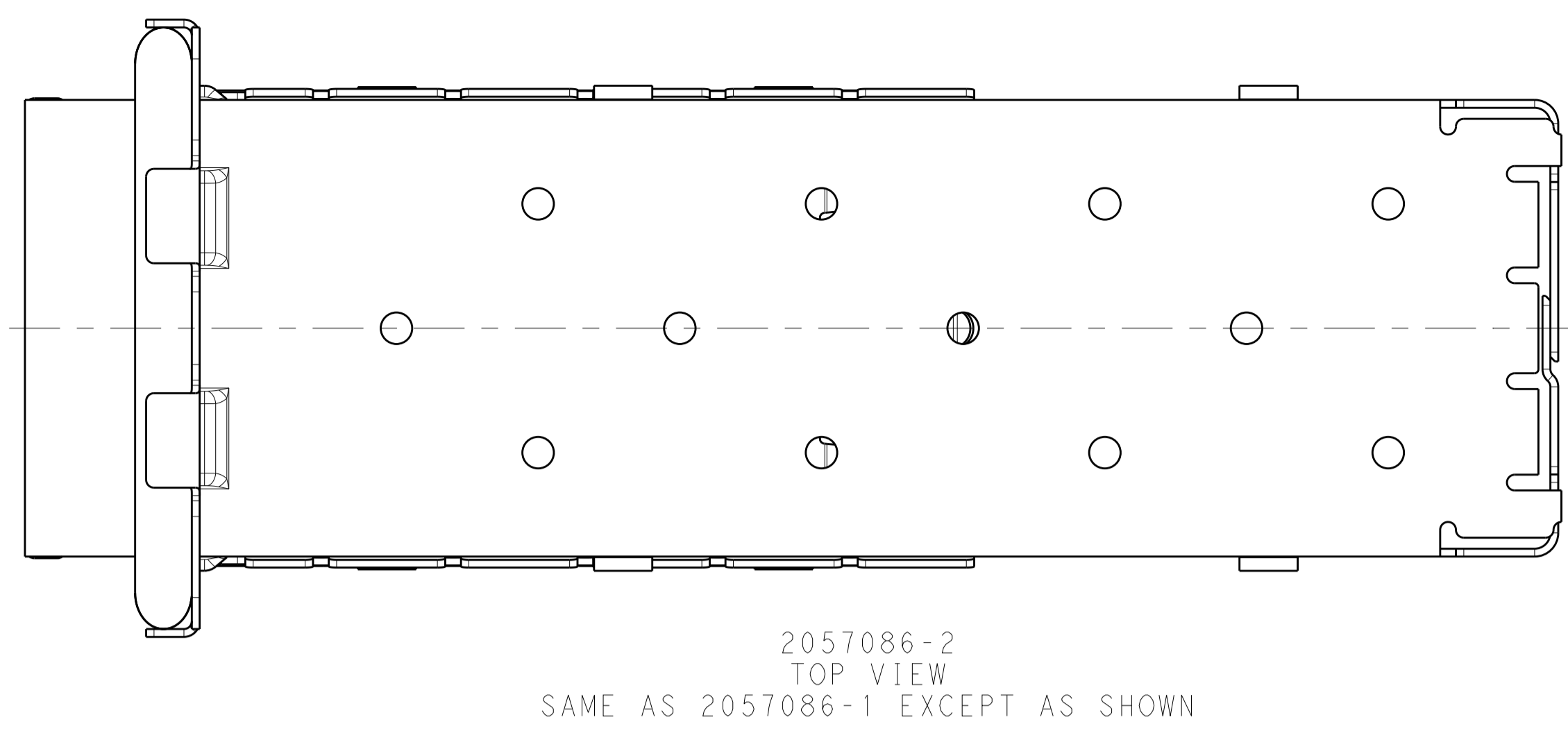
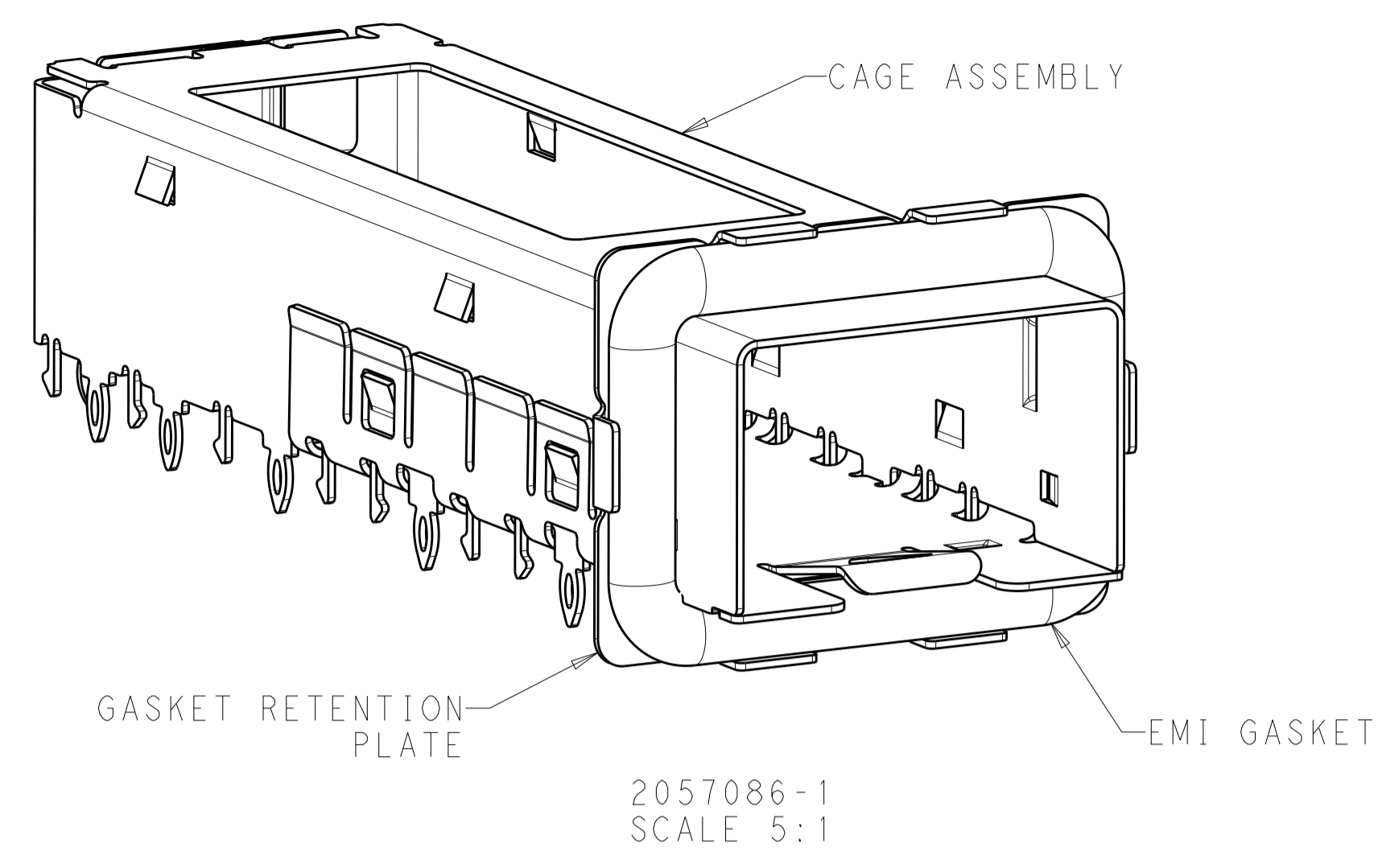
Tel: +86-755-8981 8866 Fax: +86-755-8427 6832

Email & Skype: info@chipsmall.com Web: www.chipsmall.com

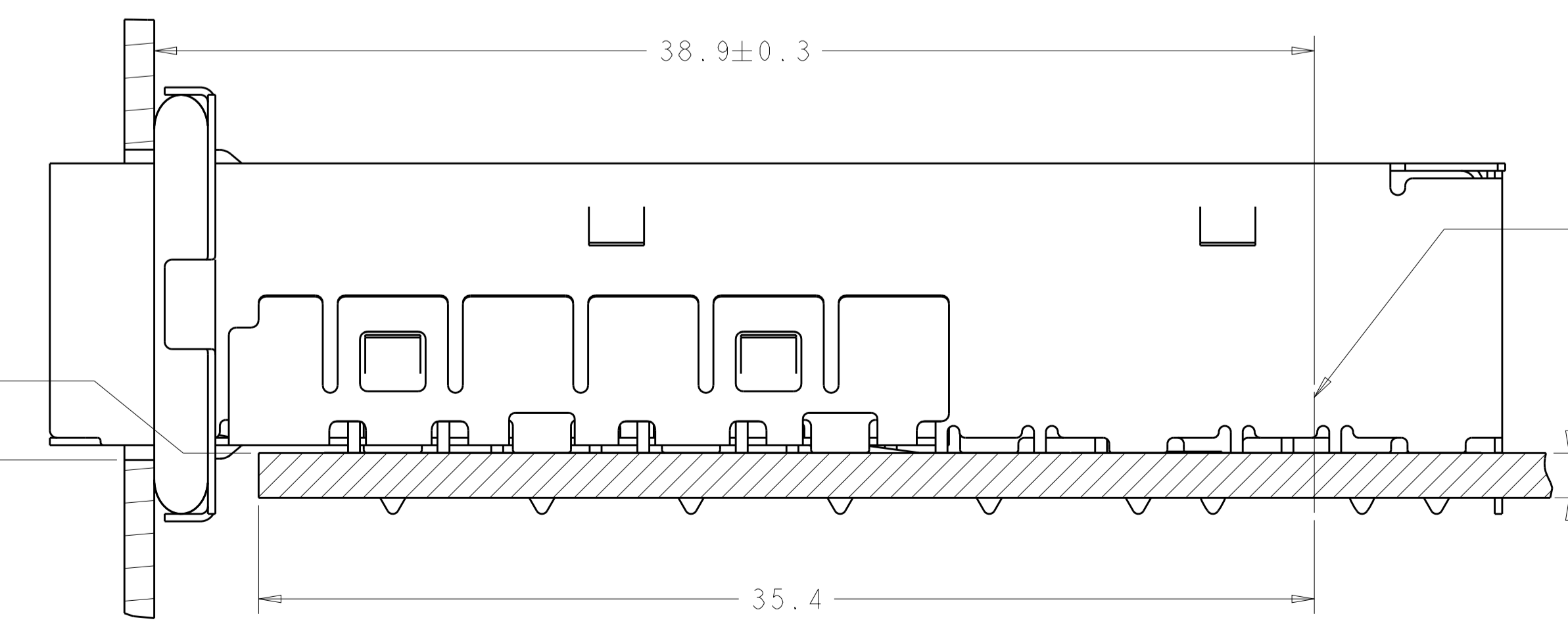
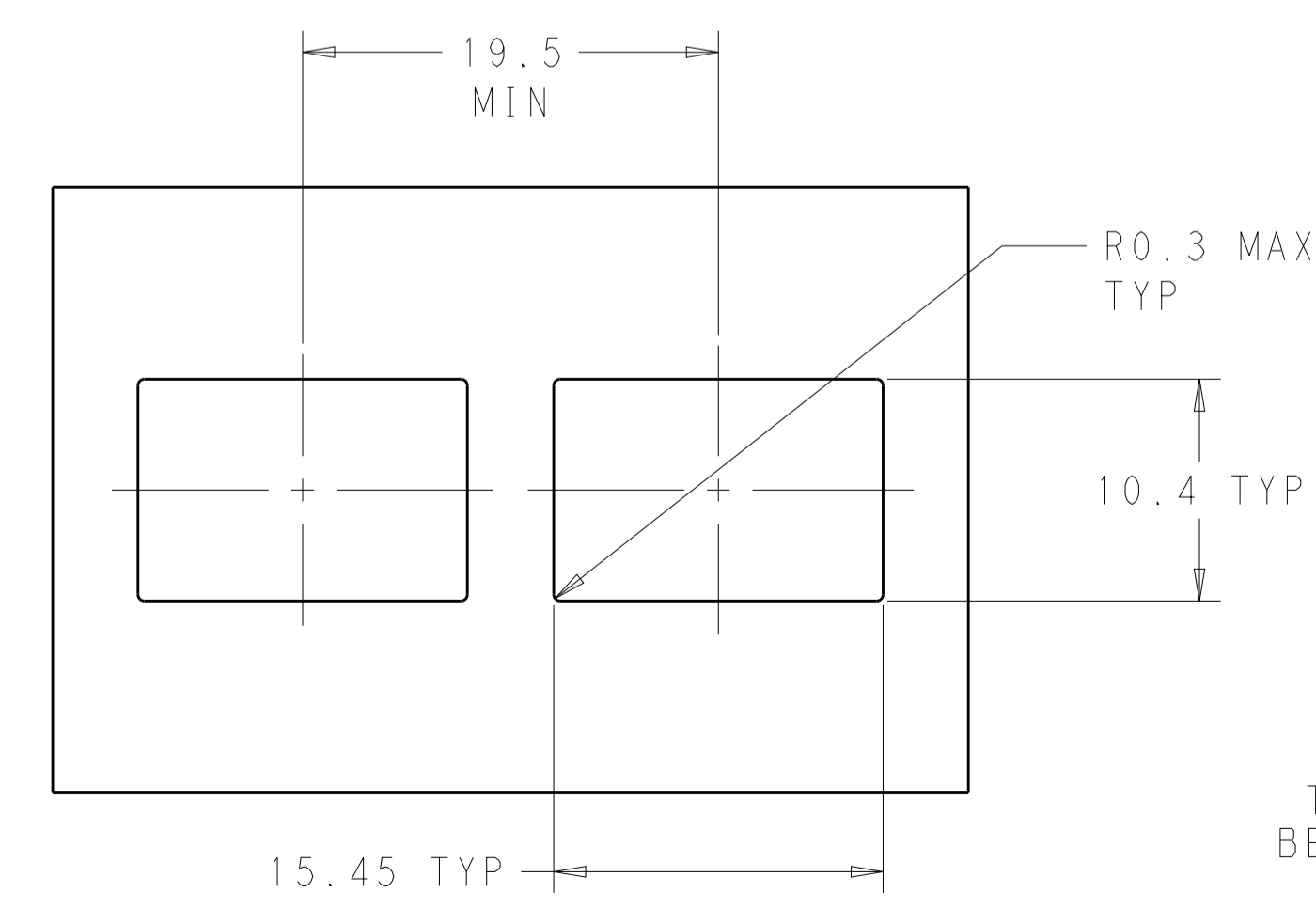
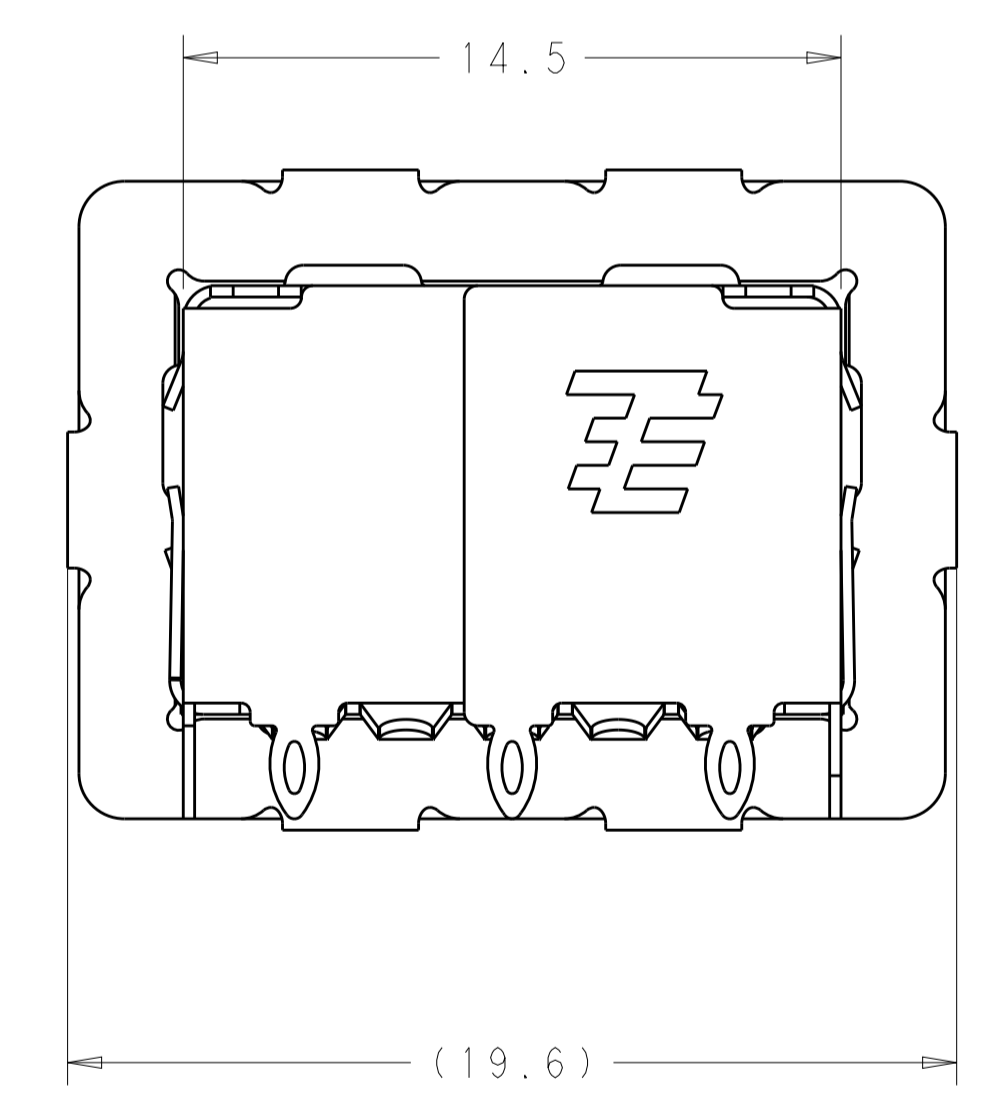
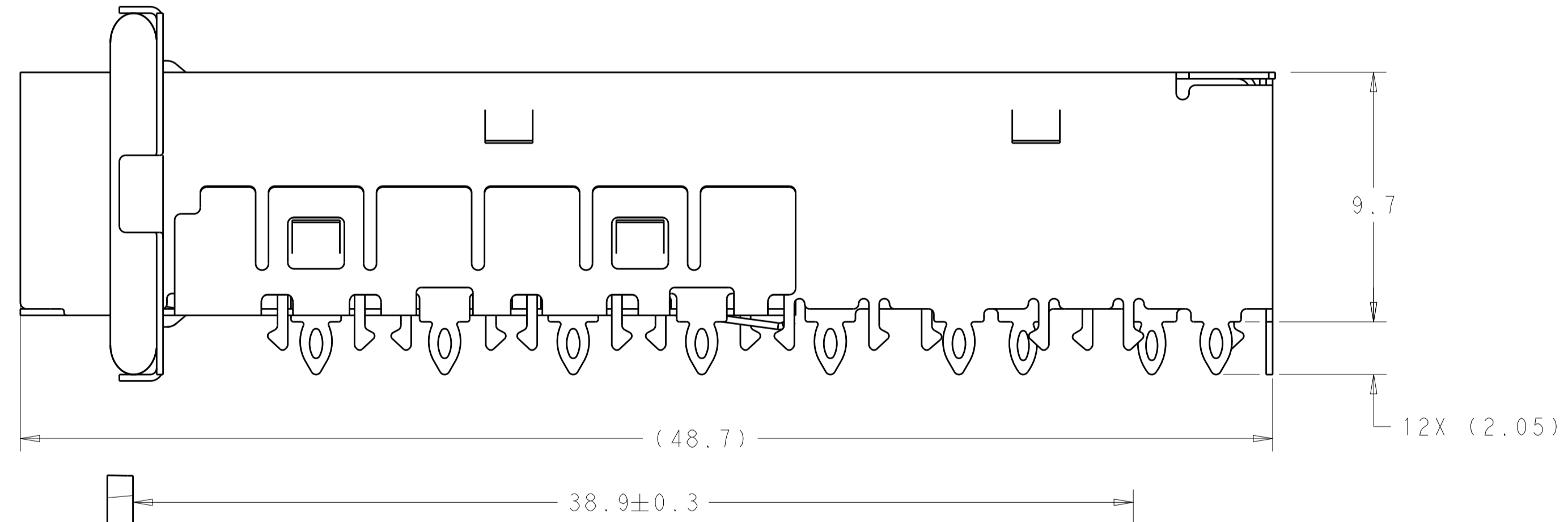
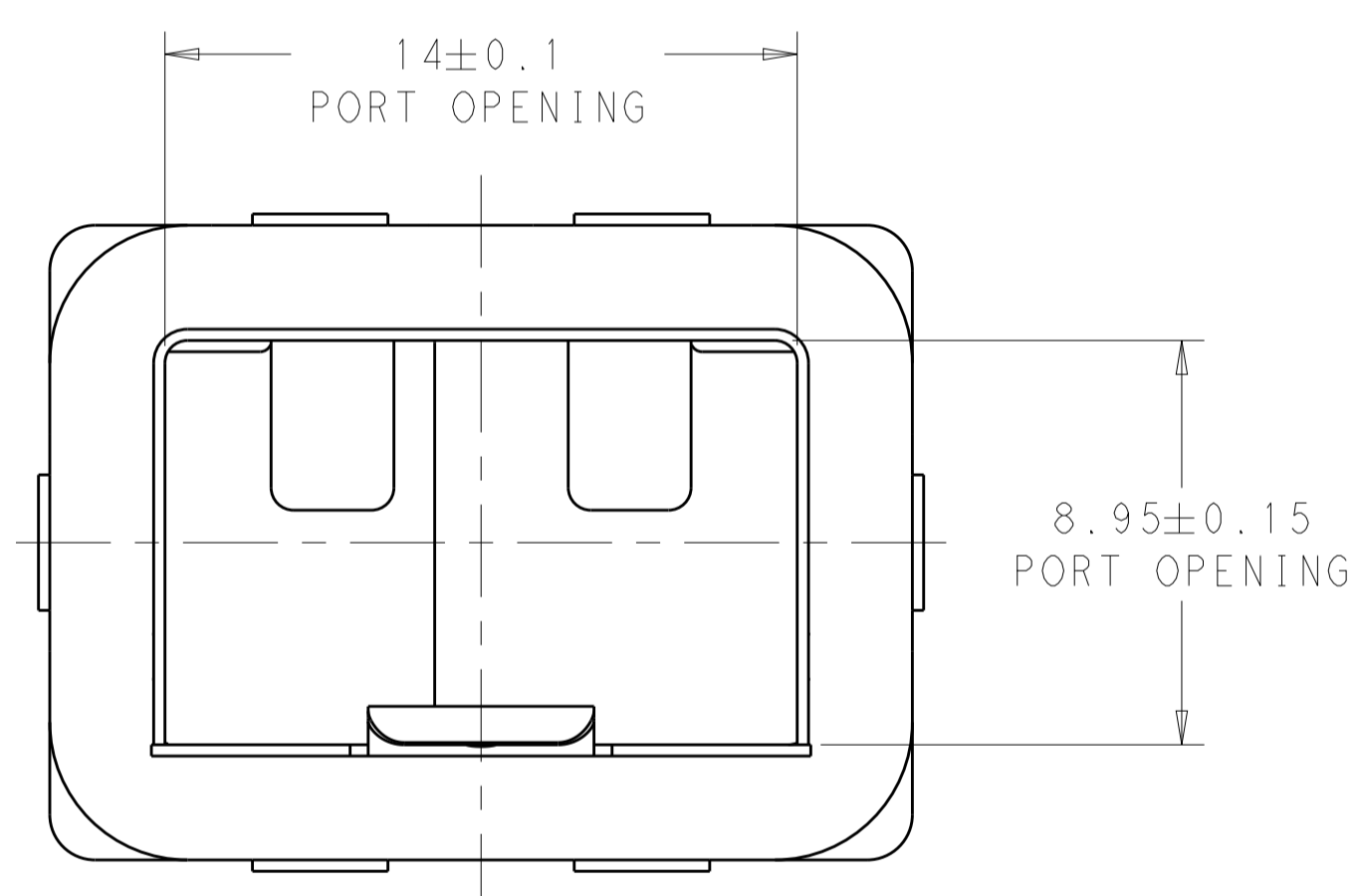
Address: A1208, Overseas Decoration Building, #122 Zhenhua RD., Futian, Shenzhen, China



REVISIONS				
P.	LTN.	DESCRIPTION	DATE	APP'D.
A		RELEASE PER ECO-10-025263	10FEB2011	CJV JTL
B		RELEASE PER ECO-16-009259	17JUN2016	PP SH



- 1 MATERIAL:
CAGE ASSEMBLY: NICKEL SILVER ALLOY, 0.25mm THK.
GASKET RETENTION PLATE: STAINLESS STEEL
EMI GASKET: PLATED FILLED SILICONE
- 2 MINIMUM PC BOARD THICKNESS:
SINGLE SIDED = 1.45mm
- 3 PADS AND VIAS CHASSIS GROUND.
- 4 DATUM AND BASIC DIMENSION ESTABLISHED BY CUSTOMER.
- 5. MATES WITH SFP MSA COMPLIANT TRANSCEIVERS.
- 6. INTERPRETATION OF DATUM REFERENCE FRAME IN ACCORDANCE WITH SECT 4.4.1.1 OF ASME Y14.5M-1994.
- 7 REFERENCE APPLICATION SPEC. 114-13120, HOLE A, FOR RECOMMENDED DRILL HOLE DIAMETER AND PLATING THICKNESS.
- 8 REFERENCE APPLICATION SPEC. 114-13120, HOLE B, FOR RECOMMENDED DRILL HOLE DIAMETER AND PLATING THICKNESS.



0.23^{+0.10}_{-0.14}
TOP TO PCB
TO INSIDE OF
BEZEL CUT-OUT

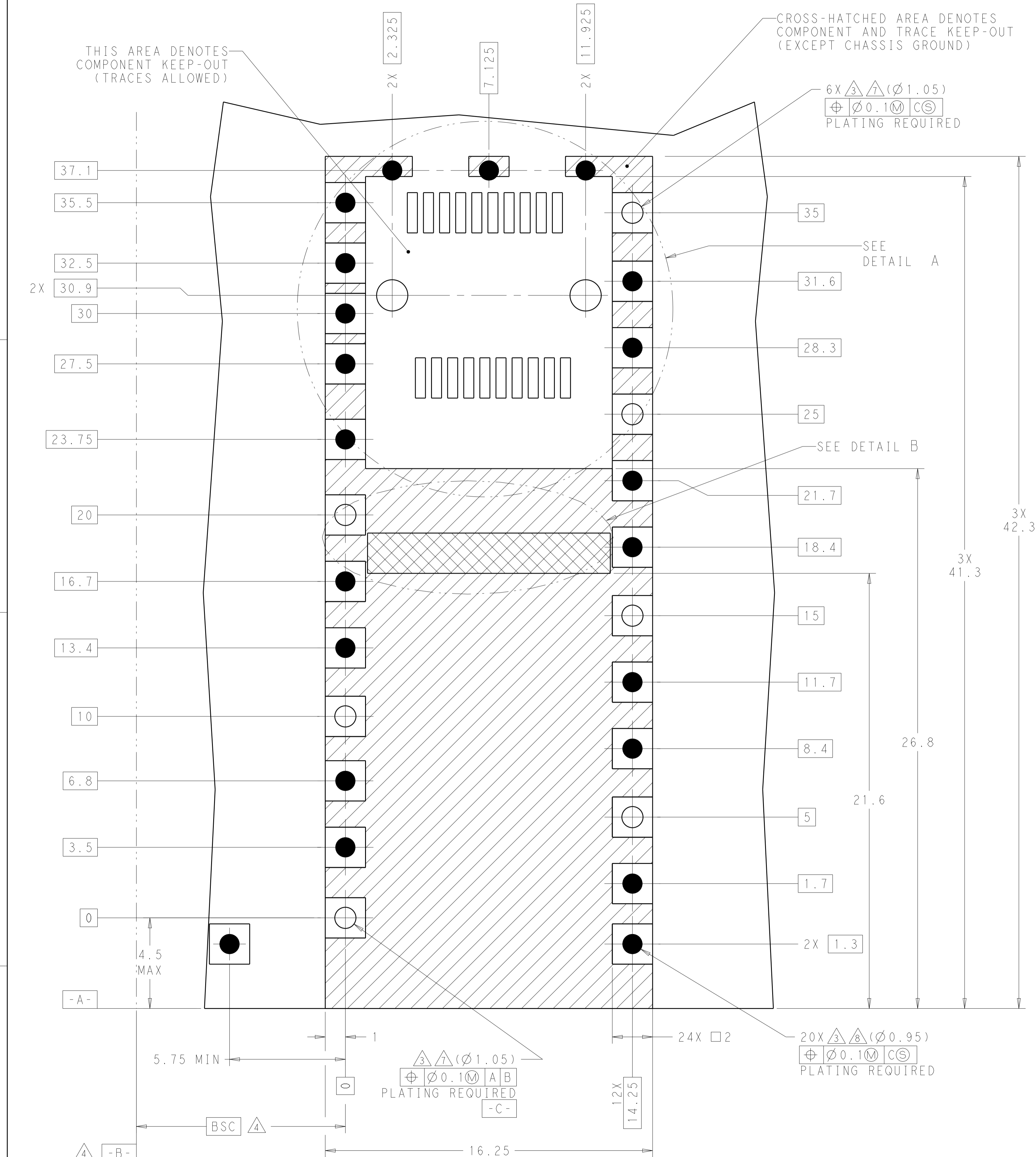
RECOMMENDED BEZEL CUT-OUT
SCALE 3:1

2057086-1/-6
MOUNTED ON PCB
SHOWN THRU RECOMMENDED BEZEL
SCALE 4:1

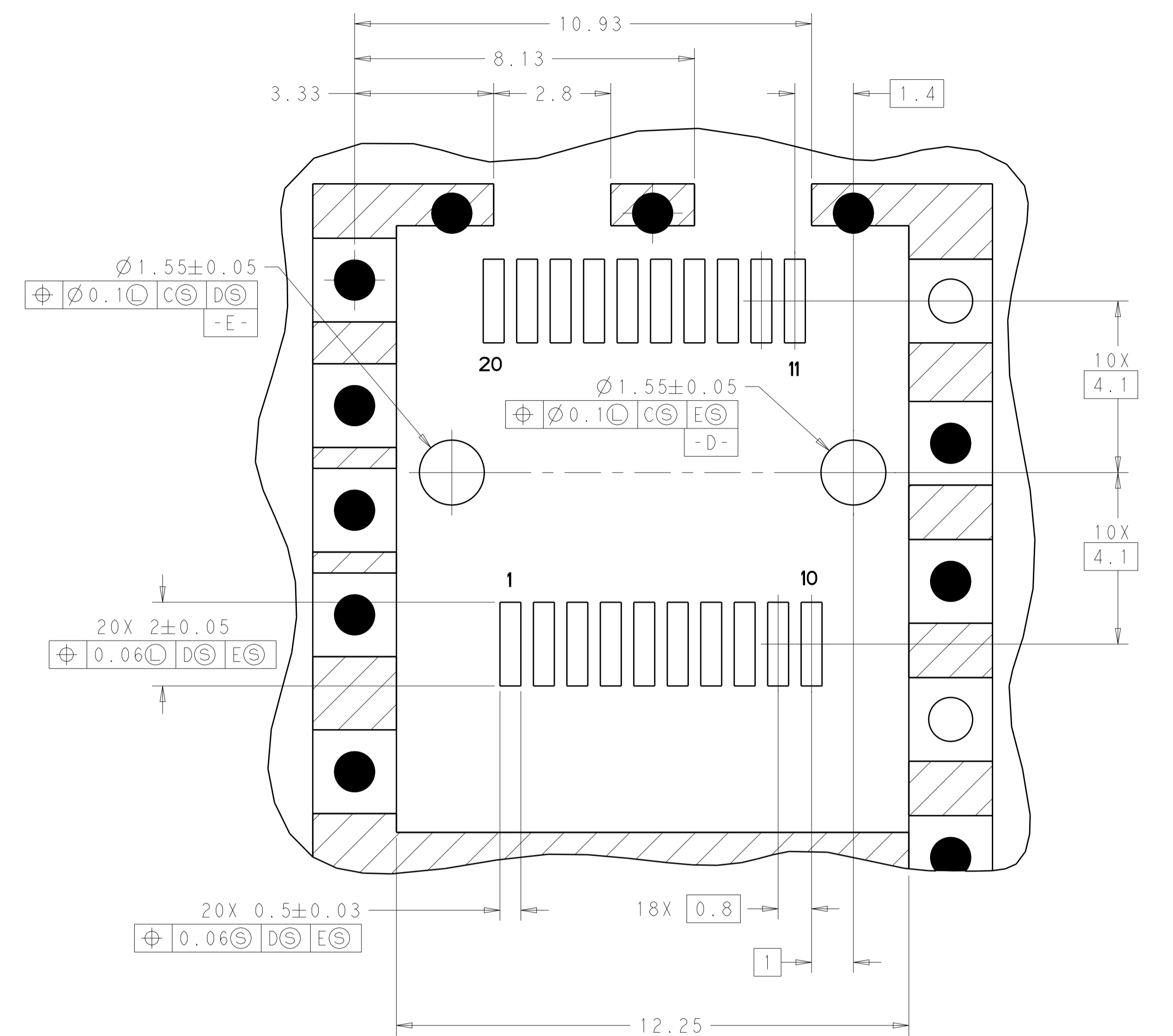
GASKET	DESCRIPTION	PART NUMBER
CUSTOMIZED TYPE	W/ HEATSINK OPENING	2057086-6
GENERAL TYPE	W/O HEATSINK OPENING	2057086-2
GENERAL TYPE	W/ HEATSINK OPENING	2057086-1

THIS DRAWING IS A CONTROLLED DOCUMENT.		OWN: Z.M.BEAM 18MAR2008	TE Connectivity
DIMENSIONS: mm		CHK: M.R.SCHMITT 18MAR2008	
TOLERANCES UNLESS OTHERWISE SPECIFIED:		APP'D: R.H.WERTZ 18MAR2008	
0 PLC ±0.1 2 PLC ±0.1 3 PLC ±0.05 4 PLC ±0.05 ANGLES ±0.05		NAME: SFP+ ENHANCED 1X1 CAGE ASSEMBLY, PRESS-FIT. PRODUCT SPEC: 108-2364 APPLICATION SPEC: 114-13120 SIZE: CAGE CODE DRAWING NO: WEIGHT: A100779 ©=2057086 CUSTOMER DRAWING	
MATERIAL:		FINISH: -	RESTRICTED TO: -
		SCALE: 6:1	SHEET: 1 OF 2 REV: B

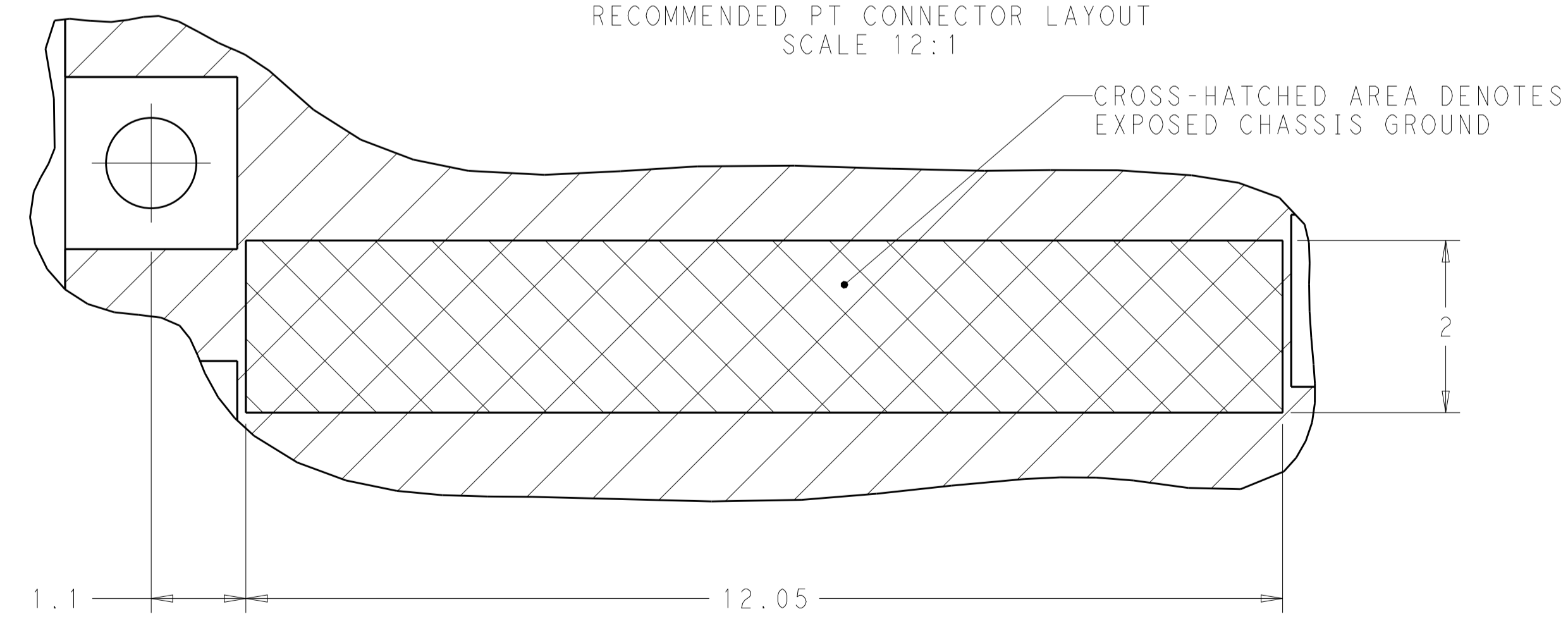
REVISIONS				
P.	LTN.	DESCRIPTION	DATE	APVD.
-	-	SEE SHEET 1	-	-



RECOMMENDED PC BOARD CONFIGURATION WITH KEEP-OUT AREAS SCALE 9:1



DETAIL A
 RECOMMENDED PT CONNECTOR LAYOUT
 SCALE 12:1



DETAIL B
 SCALE 18:1

THIS DRAWING IS A CONTROLLED DOCUMENT.		OWN Z. M. REAM 18MAR2008	TE Connectivity												
DIMENSIONS: mm		CHK M. R. SCHMITT 18MAR2008													
TOLERANCES UNLESS OTHERWISE SPECIFIED:		APVD B. H. WERTZ 18MAR2008	NAME SFP+ ENHANCED 1X1 CAGE ASSEMBLY, PRESS-FIT,												
<table border="1"> <tr><td>0 PLC</td><td>± 0.1</td></tr> <tr><td>1 PLC</td><td>± 0.1</td></tr> <tr><td>2 PLC</td><td>± 0.1</td></tr> <tr><td>3 PLC</td><td>± 0.1</td></tr> <tr><td>4 PLC</td><td>± 0.05</td></tr> <tr><td>ANGLES</td><td>± 0.05</td></tr> </table>		0 PLC	± 0.1	1 PLC	± 0.1	2 PLC	± 0.1	3 PLC	± 0.1	4 PLC	± 0.05	ANGLES	± 0.05	PRODUCT SPEC 108-2364	SIZE 114-13120
0 PLC	± 0.1														
1 PLC	± 0.1														
2 PLC	± 0.1														
3 PLC	± 0.1														
4 PLC	± 0.05														
ANGLES	± 0.05														
MATERIAL		APPLICATION SPEC 114-13120	RESTRICTED TO												
FINISH		WEIGHT	A100779C=2057086												
		CUSTOMER DRAWING	SCALE 6:1 SHEET 2 OF 2 REV B												