



Chipsmall Limited consists of a professional team with an average of over 10 year of expertise in the distribution of electronic components. Based in Hongkong, we have already established firm and mutual-benefit business relationships with customers from,Europe,America and south Asia,supplying obsolete and hard-to-find components to meet their specific needs.

With the principle of “Quality Parts,Customers Priority,Honest Operation,and Considerate Service”,our business mainly focus on the distribution of electronic components. Line cards we deal with include Microchip,ALPS,ROHM,Xilinx,Pulse,ON,Everlight and Freescale. Main products comprise IC,Modules,Potentiometer,IC Socket,Relay,Connector.Our parts cover such applications as commercial,industrial, and automotives areas.

We are looking forward to setting up business relationship with you and hope to provide you with the best service and solution. Let us make a better world for our industry!



Contact us

Tel: +86-755-8981 8866 Fax: +86-755-8427 6832

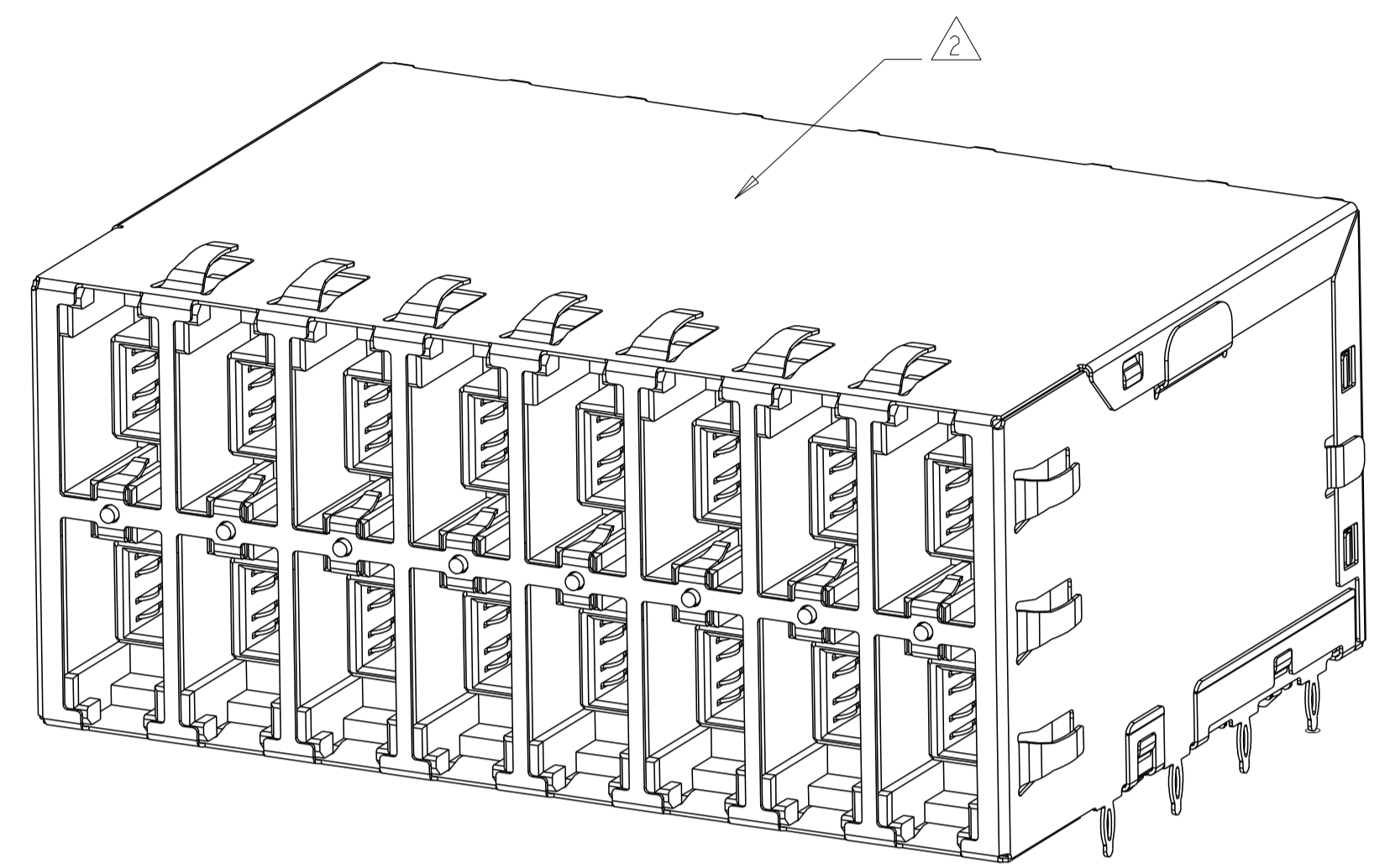
Email & Skype: info@chipsmall.com Web: www.chipsmall.com

Address: A1208, Overseas Decoration Building, #122 Zhenhua RD., Futian, Shenzhen, China

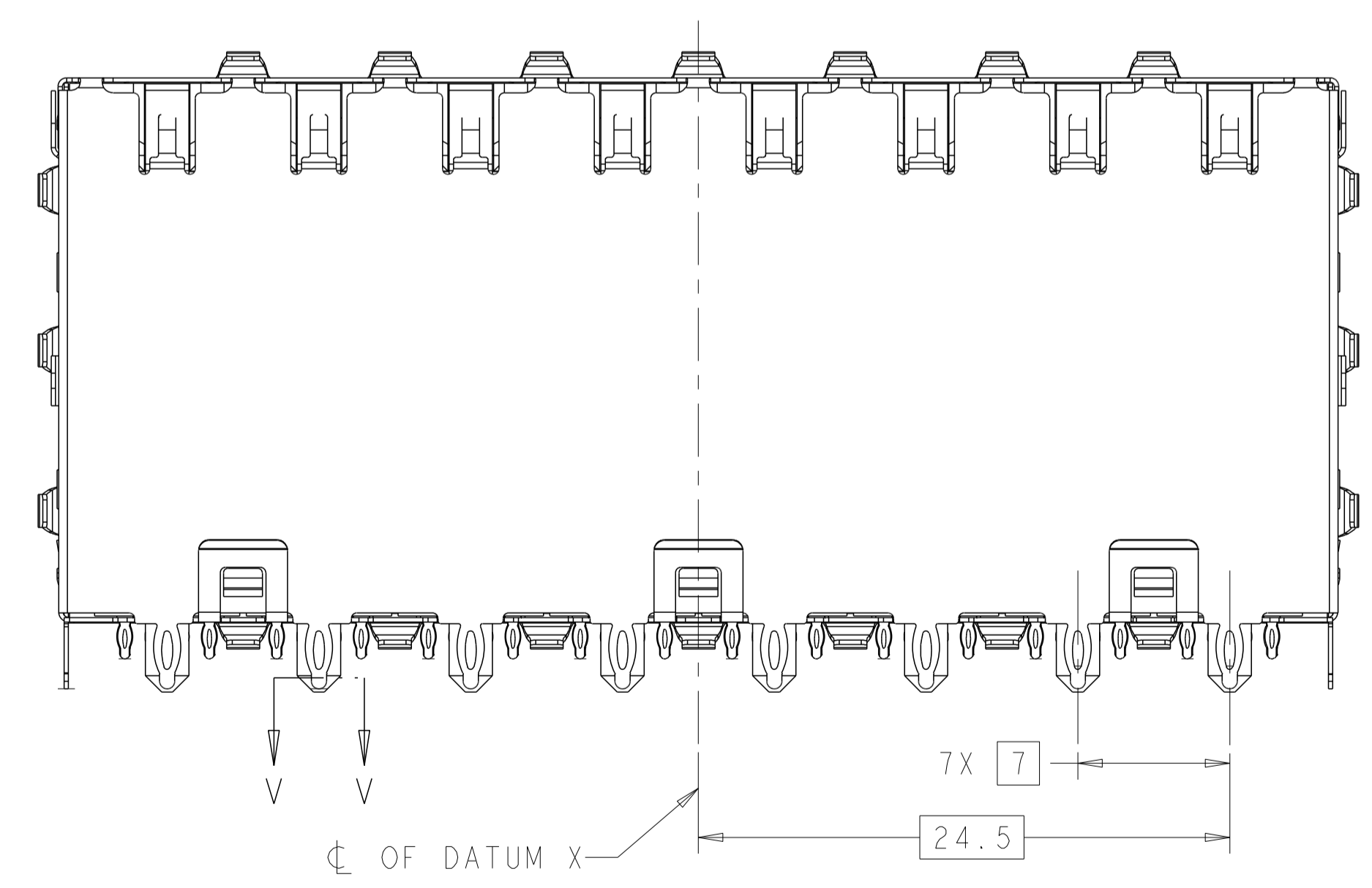
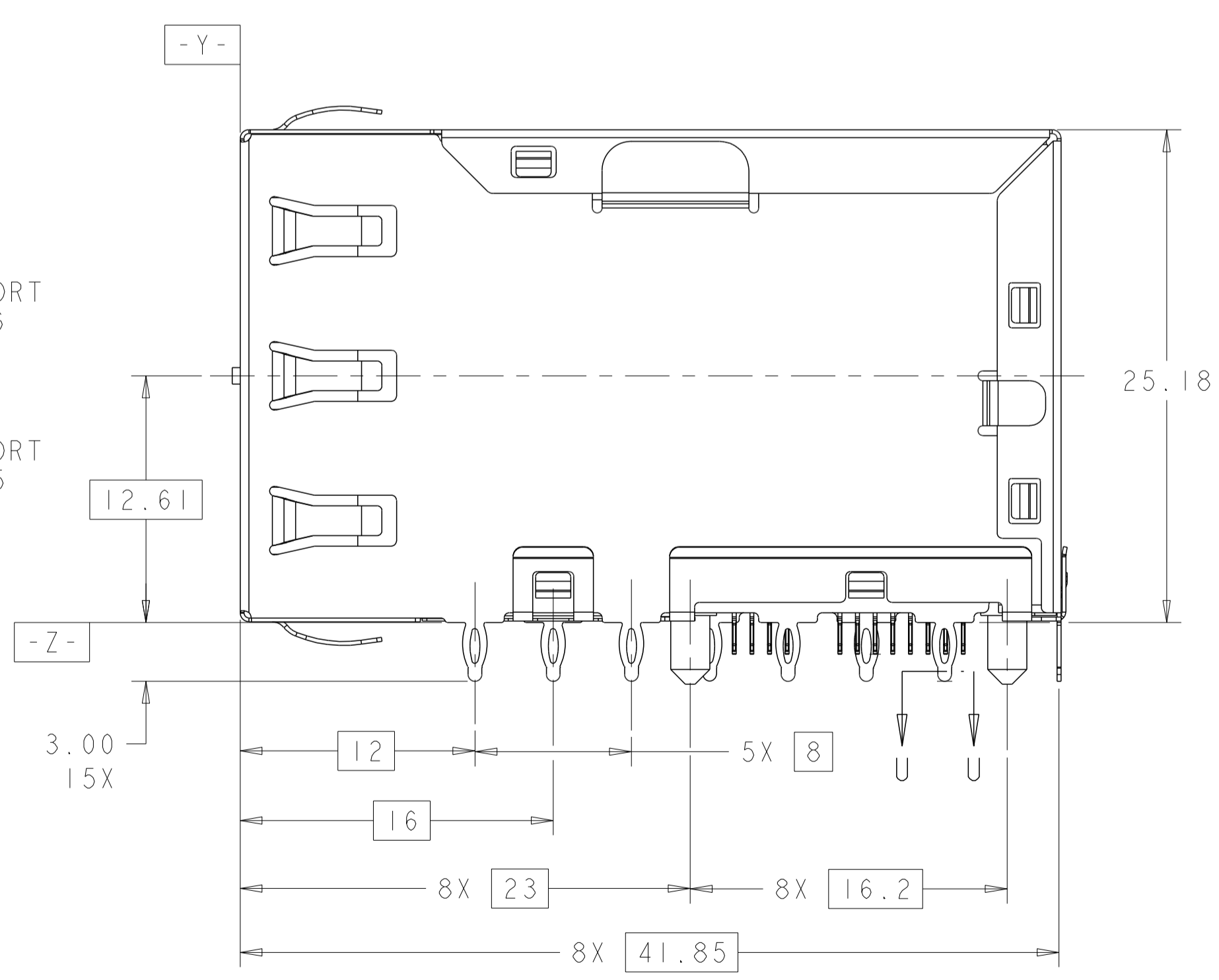
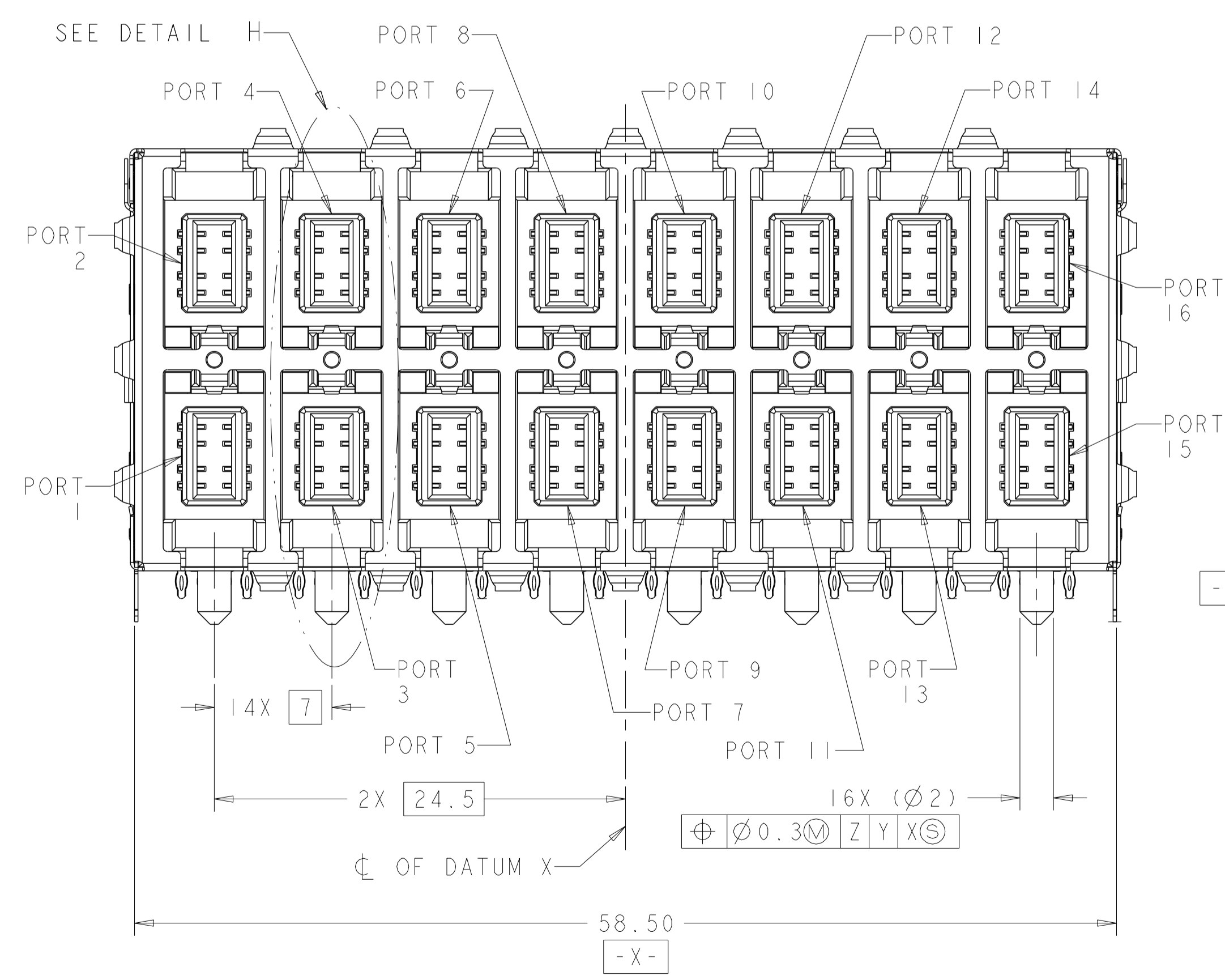
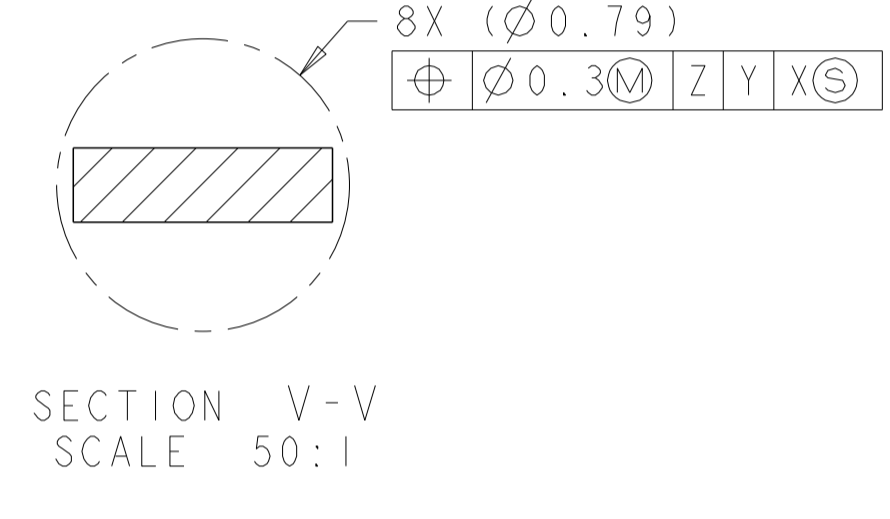
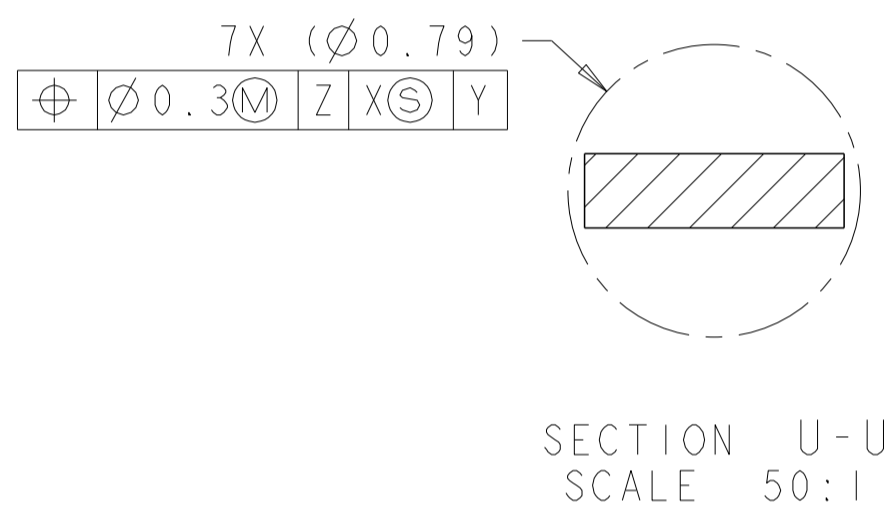


LOC		DIST		REVISIONS				
P	LTR	DESCRIPTION	DATE	OWN	APVD			
A		CHANGE PART STATUS TO ACTIVE EC-1003034	20JUL2010	TR	KZ			
B		ECO-12-013650	12OCT2012	GZ	KZ			
C		ECO-13-001347	25JAN2013	GZ	KZ			

- MATERIAL:
 HOUSING: BLACK, THERMOPLASTIC, RATED UL 94V-0.
 SHIELD: COPPER ALLOY WITH NICKEL PLATING.
 CONTACTS: PHOSPHOR BRONZE.
 CONTACT PLATING: 0.05µm MIN GOLD OVER
 0.76µm MIN PALLADIUM-NICKEL, AT MATING
 INTERFACE CONTACT AREA.
- TE LOGO, PART NUMBER, DATE CODE AND
 COUNTRY OF ORIGIN, SHOWN APPROXIMATE AREA.
- LED IS DRIVEN WITH CURRENT AT APPROX 20 mA
 DOMINANT WAVELENGTH (λD): GREEN 573 nm TYP AT IF=20mA
 FORWARD VOLTAGE (VF): GREEN 2.0V TYP at IF=20mA
 DOMINANT WAVELENGTH (λD): RED 624 nm TYP AT IF=20mA
 FORWARD VOLTAGE (VF): RED 2.0V TYP at IF=20mA
 DOMINANT WAVELENGTH (λD): YELLOW 589 nm TYP AT IF=20mA
 FORWARD VOLTAGE (VF): YELLOW 2.0V TYP at IF=20mA
- RECOMMENDED MIN PCB THICKNESS 1.5mm (.062").
- DATUM AND BASIC DIMENSION ESTABLISHED BY CUSTOMER.
- FOR HOLE SIZE AND PLATINGS, SEE SHEET 4.
- APPLICATION 10/100/1000 BASE-T
 -IMPEDANCE 100 OHMS
 -PERFORMANCE:
 ALL PAIRS ARE BI-DIRECTIONAL
 TIA-568-C.2 CATEGORY 5E COMPLIANT
 INSERTION LOSS:
 1 ≤ F ≤ 6.3MHZ = .01dB (MAX)
 6.3 ≤ F ≤ 100MHZ = .04X SQRT(F)dB (MAX)
 RETURN LOSS:
 1 ≤ F ≤ 31.5MHZ = 30dB (MIN)
 31.5 ≤ F ≤ 100MHZ = 20-(20XLOG(F/100))dB (MIN)
 NEXT LOSS:
 1 ≤ F < 7.9MHZ = 65dB (MIN)
 7.9 ≤ F ≤ 100MHZ = 43-(20XLOG(F/100))dB (MIN)
 NEXT LOSS:
 1 ≤ F ≤ 3.2MHZ = 65dB (MIN)
 3.2 ≤ F ≤ 100MHZ = 35.1-(20XLOG(F/100))dB (MAX)
 -ISOLATION VOLTAGE: 2250VDC(MAX) FOR 60 SECONDS WITH
 A RISE TIME OF 500V/SEC.



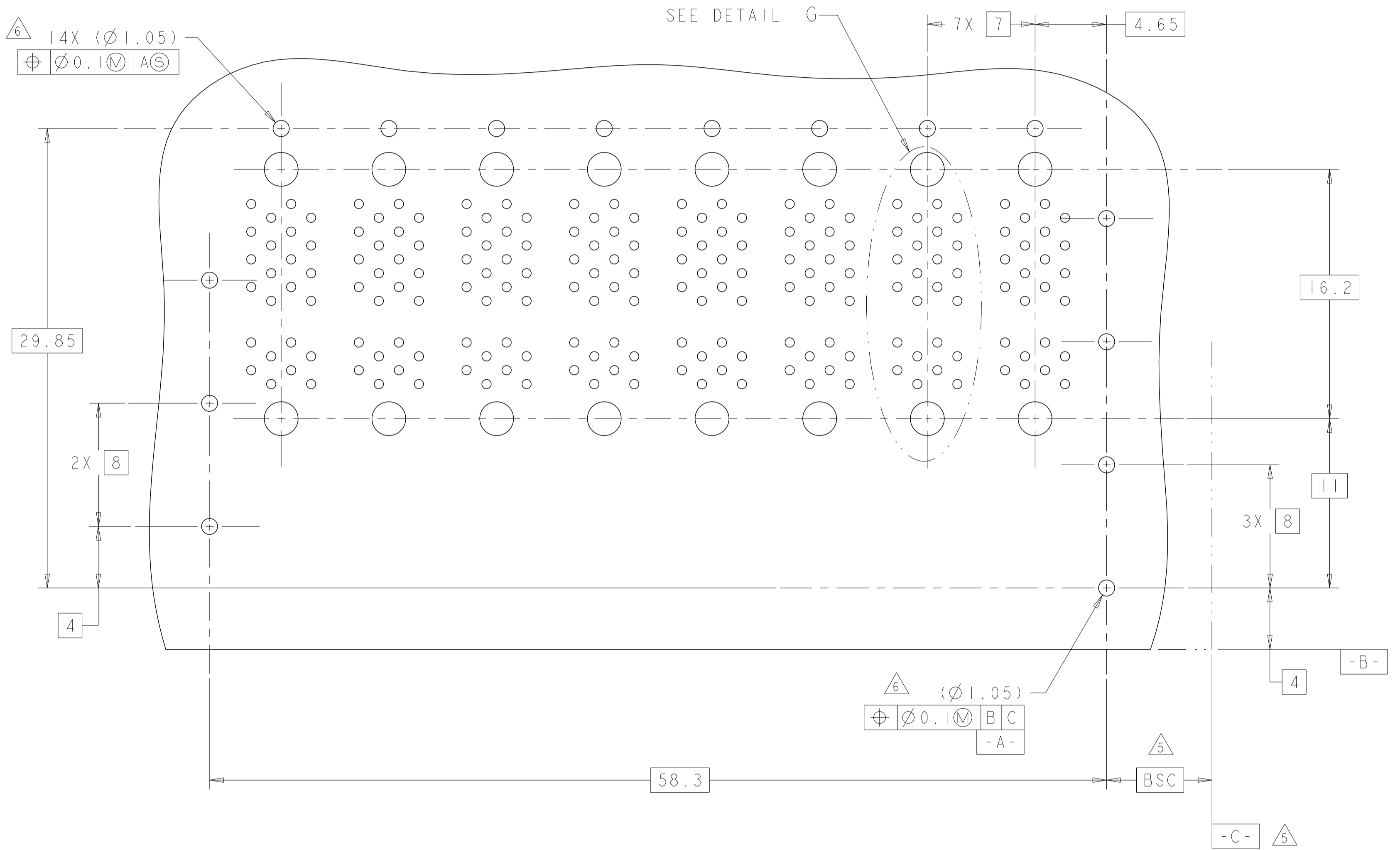
SCALE 3:1



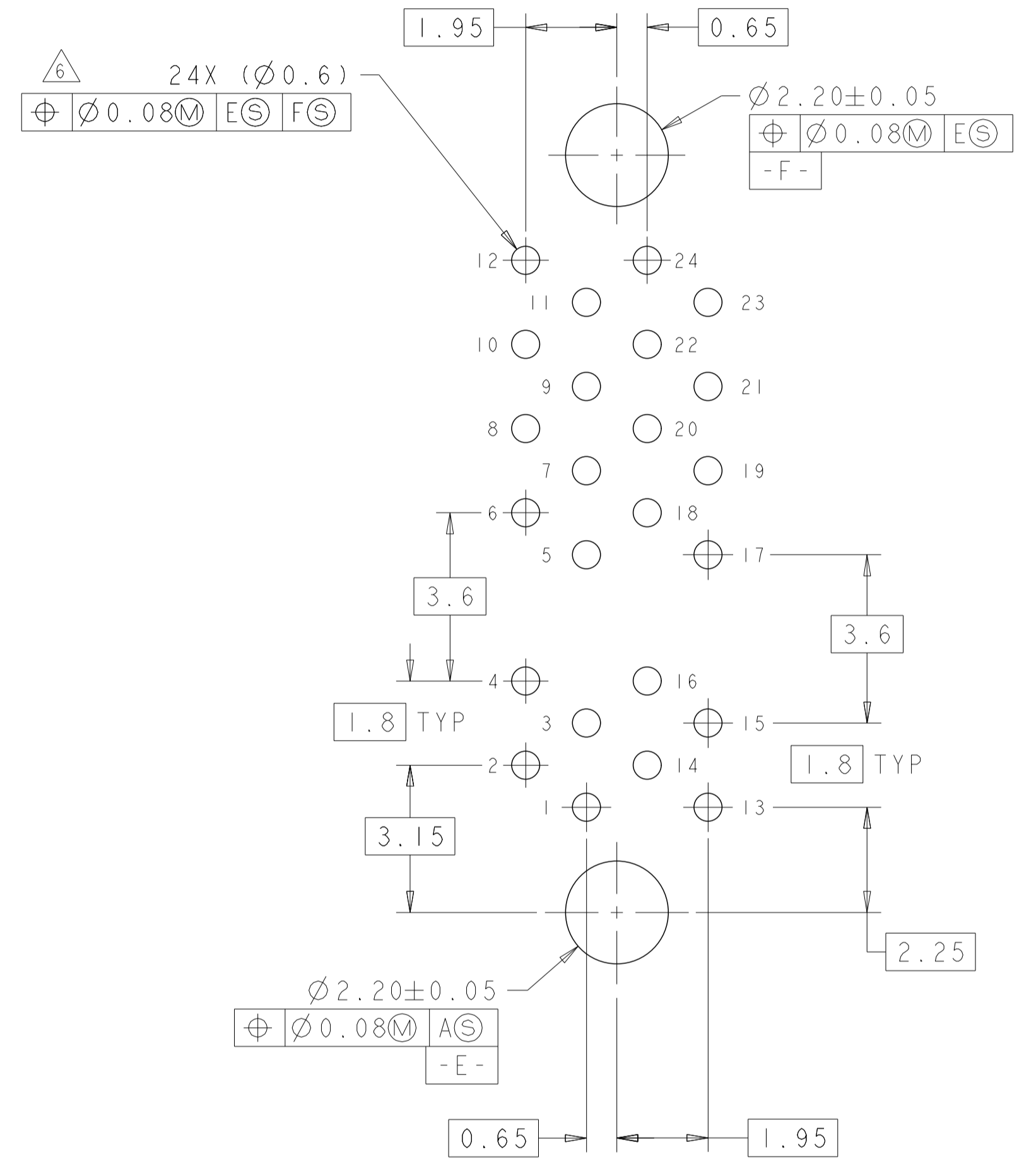
THIS DRAWING IS A CONTROLLED DOCUMENT.		DWN M. SHIRK 09APR2008	TE Connectivity RECEPTACLE ASSEMBLY, 2X8, NON MAGNETICS, RJ POINT FIVE
DIMENSIONS: mm		CHE B. HENRY 09APR2008	
TOLERANCES UNLESS OTHERWISE SPECIFIED:		APVD B. HENRY 09APR2008	
0 PLC ±	1 PLC ±	2 PLC ±0.25	NAME 108-2341
3 PLC ±	4 PLC ±	ANGLES ±°	PRODUCT SPEC APPLICATION SPEC
MATERIAL:	FINISH:	WEIGHT:	SIZE CAGE CODE DRAWING NO. RESTRICTED TO
			A 100779 ©=2057133
CUSTOMER DRAWING			SCALE 4:1 SHEET 1 OF 5 REV C

YELLOW/GREEN BI-COLORS	2057133-2
RED/GREEN BI-COLORS	2057133-1
LED COLORS	PART NO

LOC		DIST		REVISIONS				
P	LTR	DESCRIPTION	DATE	DWN	APVD			
-	-	SEE SHEET 1	-	-	-			



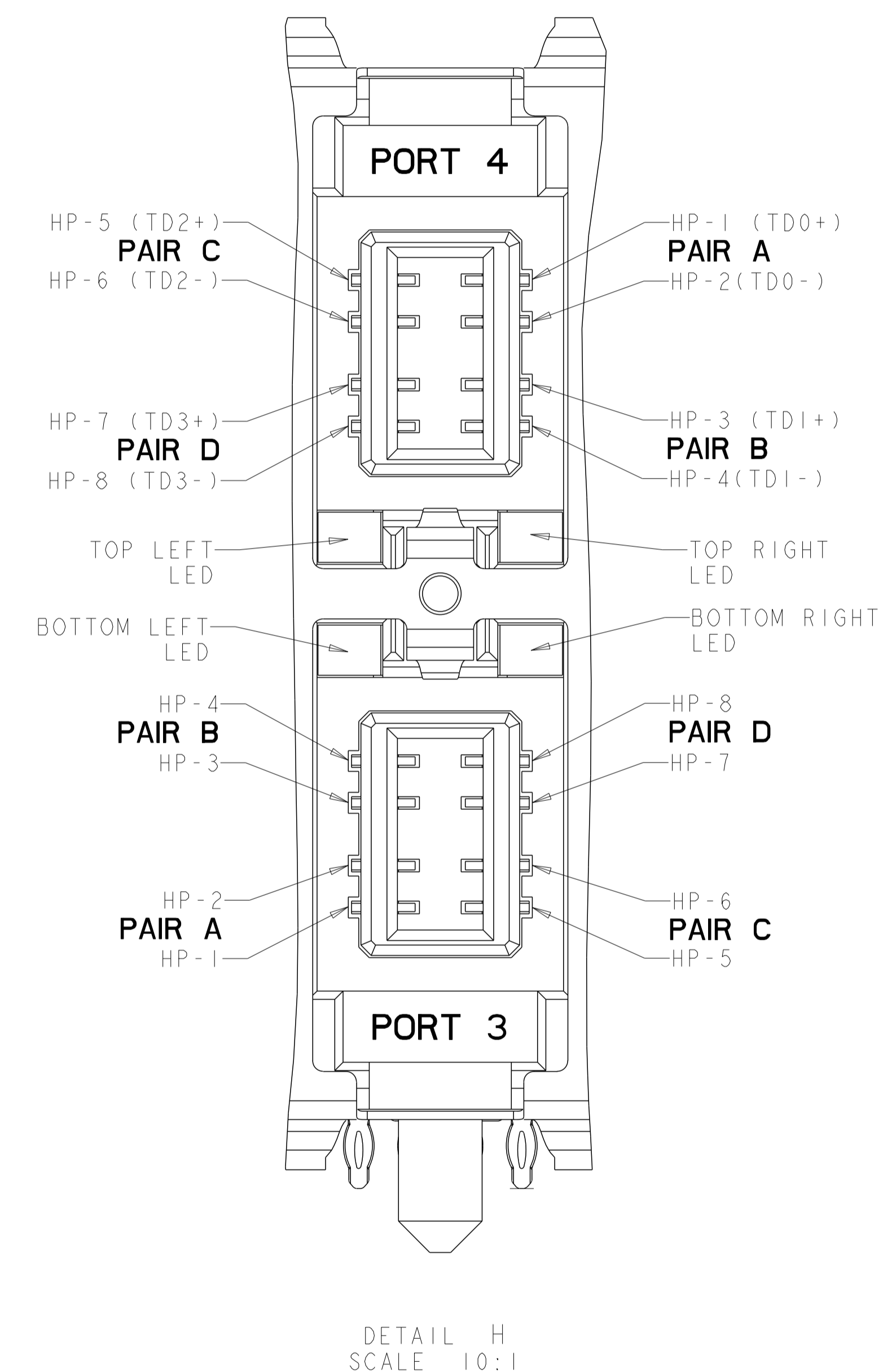
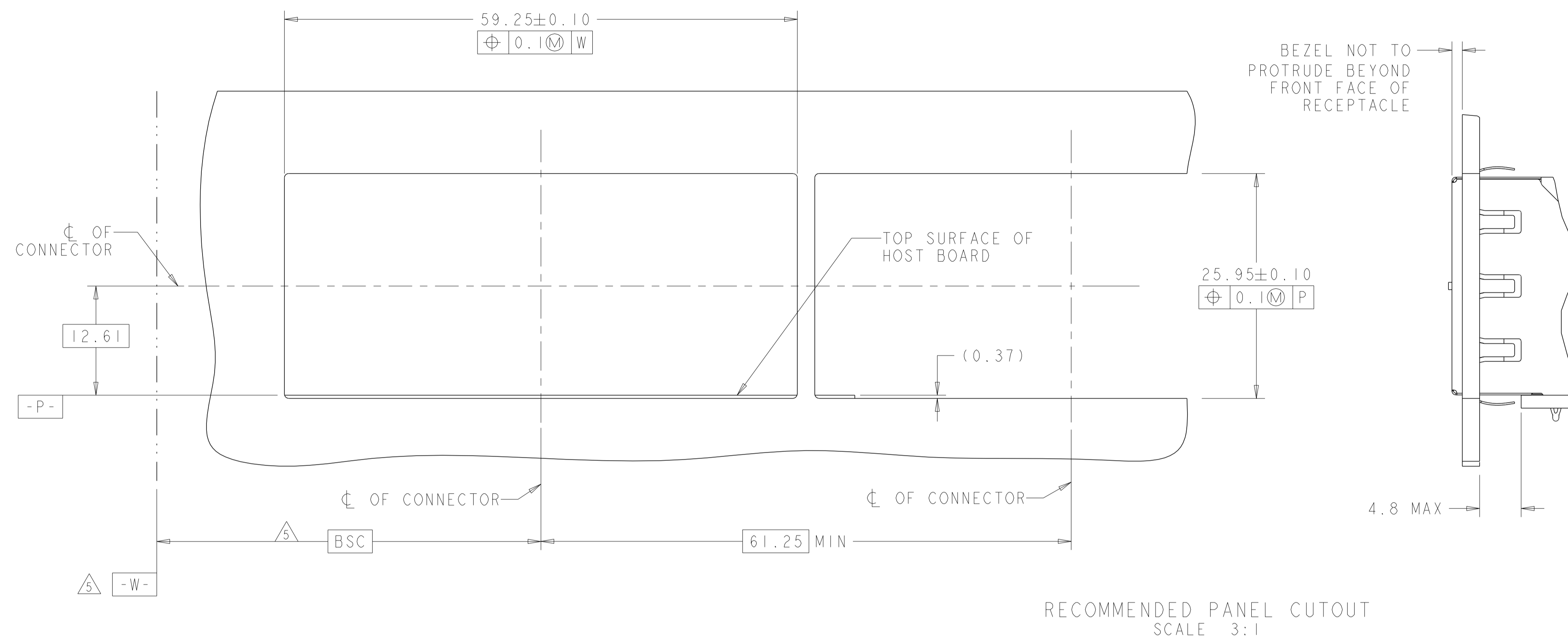
RECOMMENDED PCB LAYOUT
 SCALE 5:1



DETAIL G
 BOARD PIN IDENTIFIERS
 SCALE 10:1

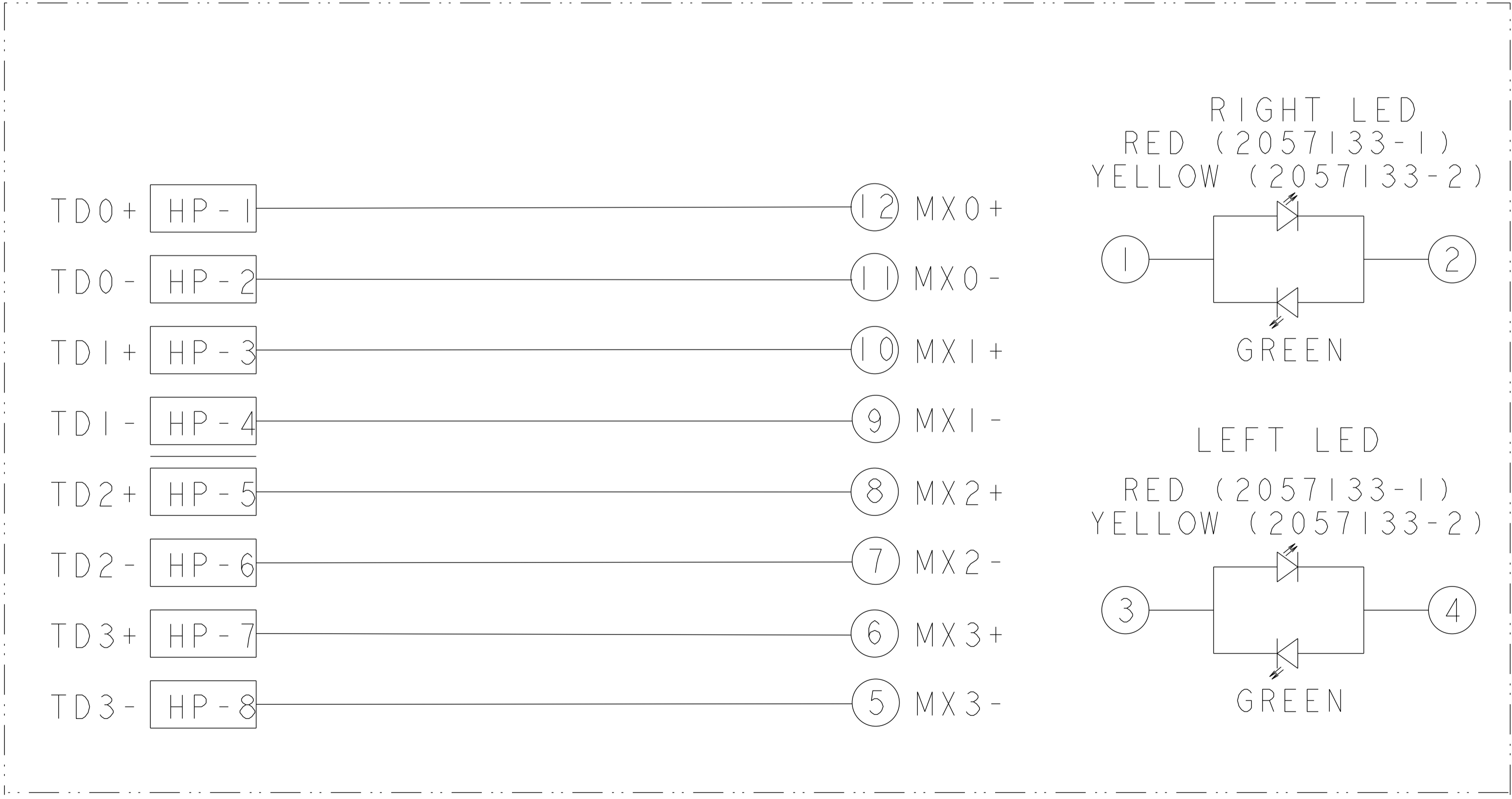
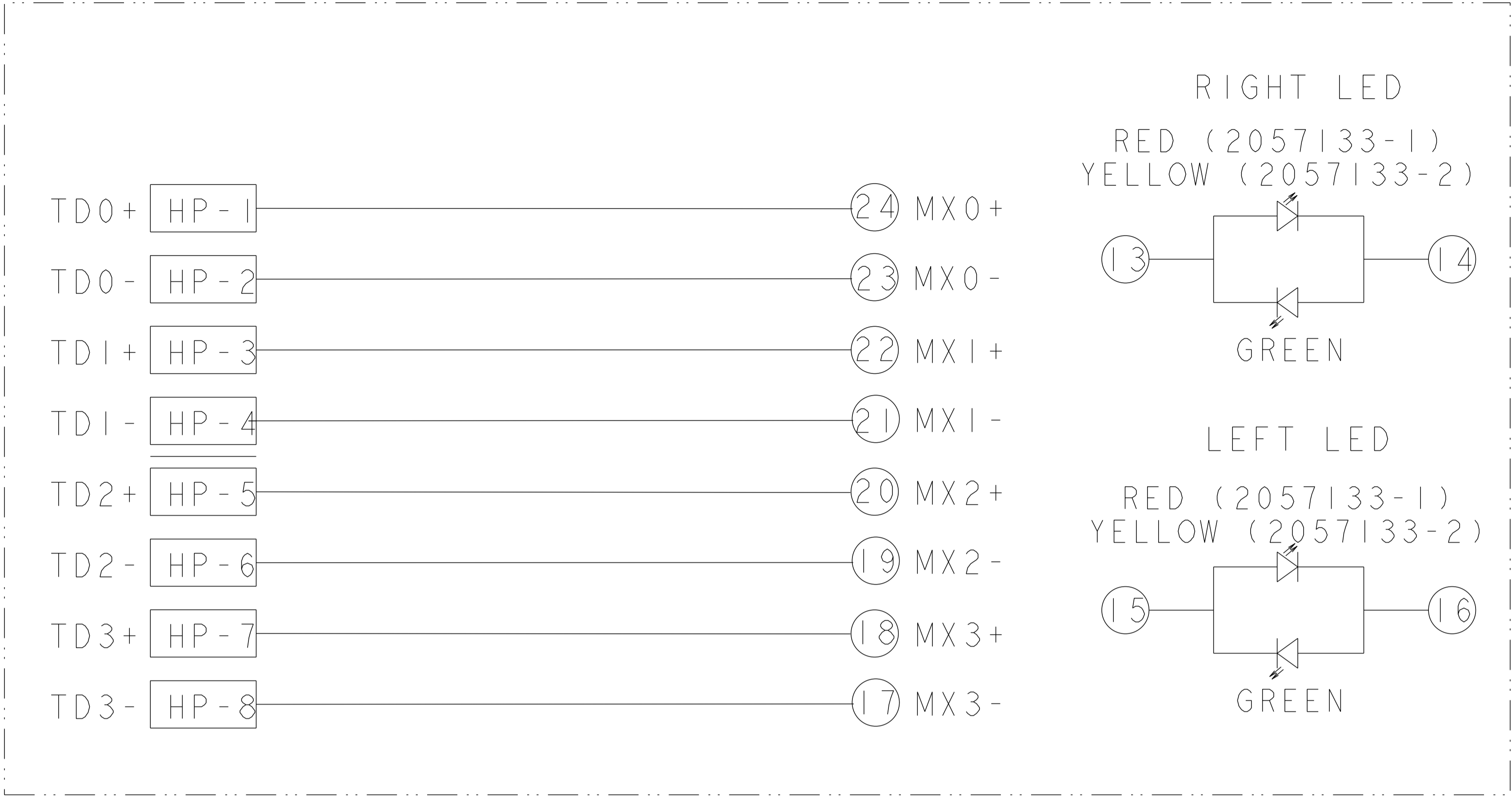
THIS DRAWING IS A CONTROLLED DOCUMENT.		DWN M. SHIRK 09APR2008	TE Connectivity
		CHK B. HENRY 09APR2008	
		APVD B. HENRY 09APR2008	
DIMENSIONS:	TOLERANCES UNLESS OTHERWISE SPECIFIED:	NAME	RECEPTACLE ASSEMBLY, 2X8, NON MAGNETICS, RJ POINT FIVE
mm	0 PLC ± 1 PLC ± 2 PLC ±0.25 3 PLC ± 4 PLC ±	PRODUCT SPEC	108-2341
	ANGLES ±°	APPLICATION SPEC	
MATERIAL	FINISH	SIZE	A 100779 C=2057133
		WEIGHT	
		CUSTOMER DRAWING	SCALE 4:1 SHEET 2 OF 5 REV C

LOC		DIST		REVISIONS				
AG	00	P	LTR	DESCRIPTION	DATE	DWN	APVD	
-	-	-	-	SEE SHEET 1	-	-	-	



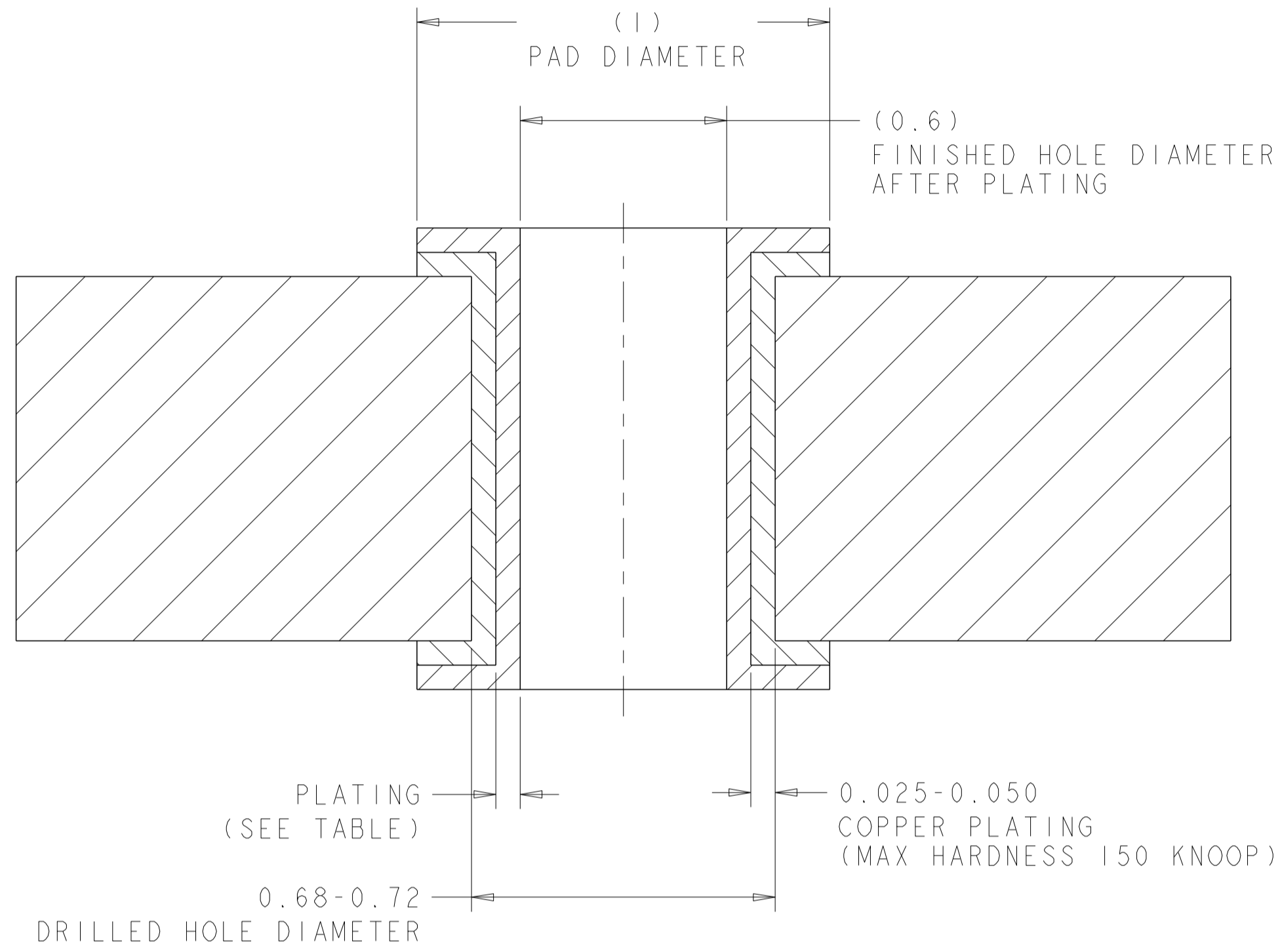
THIS DRAWING IS A CONTROLLED DOCUMENT.		DWN M. SHIRK 09APR2008	 TE Connectivity	NAME		
DIMENSIONS:		CHK B. HENRY 09APR2008		RECEPTACLE ASSEMBLY,		
mm		APVD B. HENRY 09APR2008		2X8, NON MAGNETICS, RJ POINT FIVE		
TOLERANCES UNLESS OTHERWISE SPECIFIED:		PRODUCT SPEC		-		
0 PLC ±	1 PLC ±	108-2341	SIZE	CAGE CODE	DRAWING NO.	RESTRICTED TO
2 PLC ±0.25	3 PLC ±	APPLICATION SPEC	A1	00779	2057133	-
4 PLC ±	ANGLES ±°		CUSTOMER DRAWING		SCALE	SHEET
FINISH			4:1		3	5
					REV	C

LOC		DIST		REVISIONS				
AG	00	P	LTR	DESCRIPTION	DATE	DWN	APVD	
		-		SEE SHEET 1				

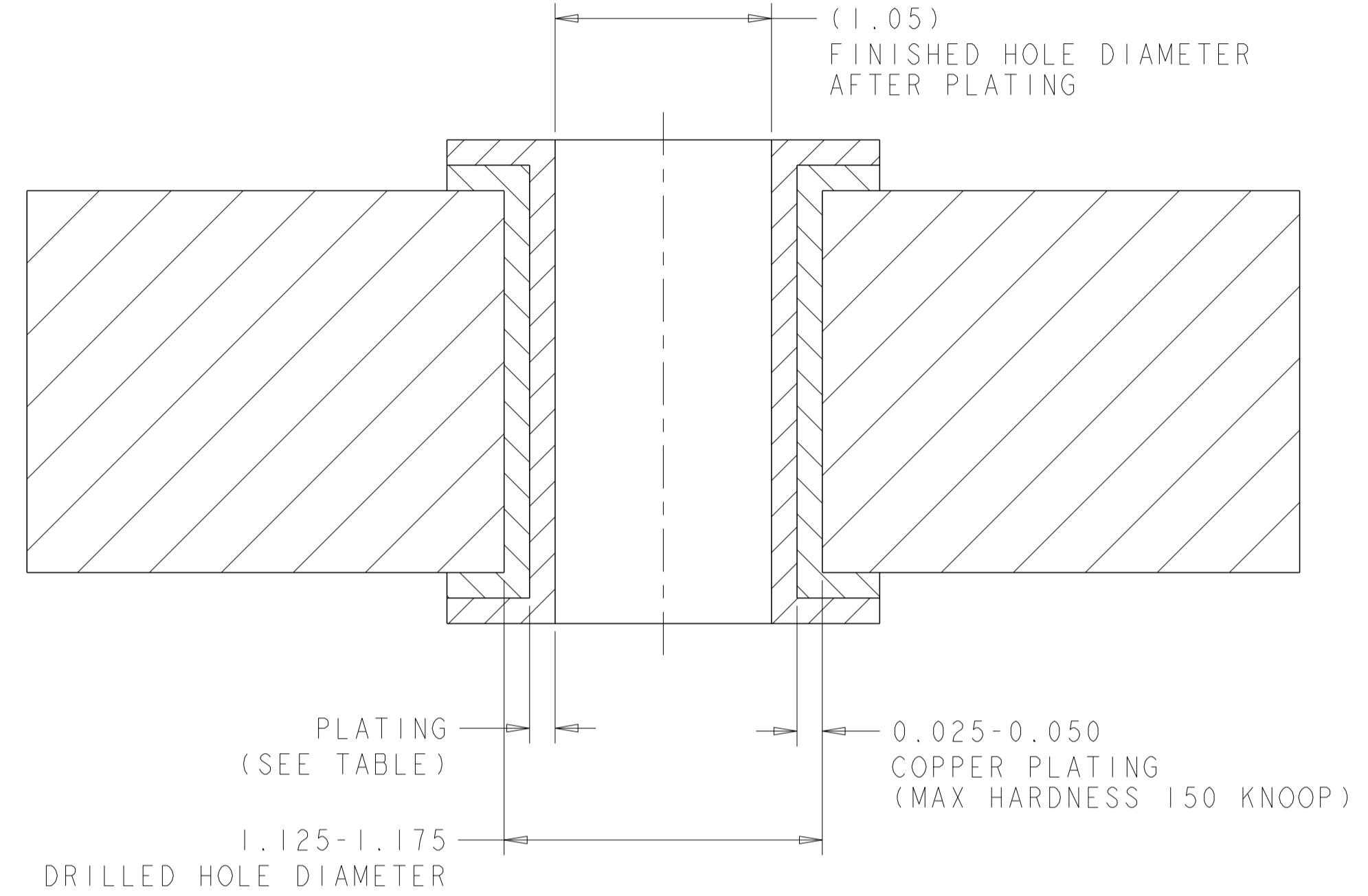


THIS DRAWING IS A CONTROLLED DOCUMENT.		DWN M. SHIRK 09APR2008	NAME	
DIMENSIONS: mm		CHE B. HENRY 09APR2008	RECEPTACLE ASSEMBLY, 2X8, NON MAGNETICS, RJ POINT FIVE	
TOLERANCES UNLESS OTHERWISE SPECIFIED: 0 PLC ± 1 PLC ± 2 PLC ±0.25 3 PLC ± 4 PLC ±		APVD B. HENRY 09APR2008	PRODUCT SPEC 108-2341	
MATERIAL		FINISH	SIZE A1	CAGE CODE 00779
			DRAWING NO. C=2057133	RESTRICTED TO
			WEIGHT	
			CUSTOMER DRAWING	SCALE 4:1 SHEET 4 OF 5 REV C

LOC	DIST	REVISIONS					
AG	00	P	LTR	DESCRIPTION	DATE	DWN	APVD
		-		SEE SHEET 1		-	-



RECOMMENDED HOLE DIMENSIONS FOR SIGNAL CONTACTS



RECOMMENDED HOLE DIMENSIONS FOR SHIELD PINS

THICKNESS	PLATING
0.004-0.010	HOT AIR SOLDER LEVELING (HASL) TIN-LEAD (Sn Pb)
0.0005-0.001	IMMERSION TIN (Sn)
0.0002-0.0005	ORGANIC SOLDERABILITY PRESERVATIVE (OSP)
0.0001-0.0005 Au, 0.004-0.0076 Ni	IMMERSION GOLD (Au) OVER NICKEL (Ni) (ENIG)
0.010-0.025	TIN LEAD PLATING (Sn Pb)
0.0001-0.00015	IMMERSION SILVER (Ag)

THIS DRAWING IS A CONTROLLED DOCUMENT. DWN M. SHIRK 09APR2008
 CWR B. HENRY 09APR2008
 APVD B. HENRY 09APR2008

STE TE Connectivity

NAME: RECEPTACLE ASSEMBLY, 2X8, NON MAGNETICS, RJ POINT FIVE
 PRODUCT SPEC: 108-2341
 APPLICATION SPEC: -

SIZE: A1 CAGE CODE: 2057133 DRAWING NO: 100779
 WEIGHT: -
 MATERIAL: - FINISH: -

CUSTOMER DRAWING SCALE: 4:1 SHEET 5 OF 5 REV C