



Chipsmall Limited consists of a professional team with an average of over 10 year of expertise in the distribution of electronic components. Based in Hongkong, we have already established firm and mutual-benefit business relationships with customers from,Europe,America and south Asia,supplying obsolete and hard-to-find components to meet their specific needs.

With the principle of "Quality Parts,Customers Priority,Honest Operation,and Considerate Service",our business mainly focus on the distribution of electronic components. Line cards we deal with include Microchip,ALPS,ROHM,Xilinx,Pulse,ON,Everlight and Freescale. Main products comprise IC,Modules,Potentiometer,IC Socket,Relay,Connector.Our parts cover such applications as commercial,industrial, and automotives areas.

We are looking forward to setting up business relationship with you and hope to provide you with the best service and solution. Let us make a better world for our industry!



Contact us

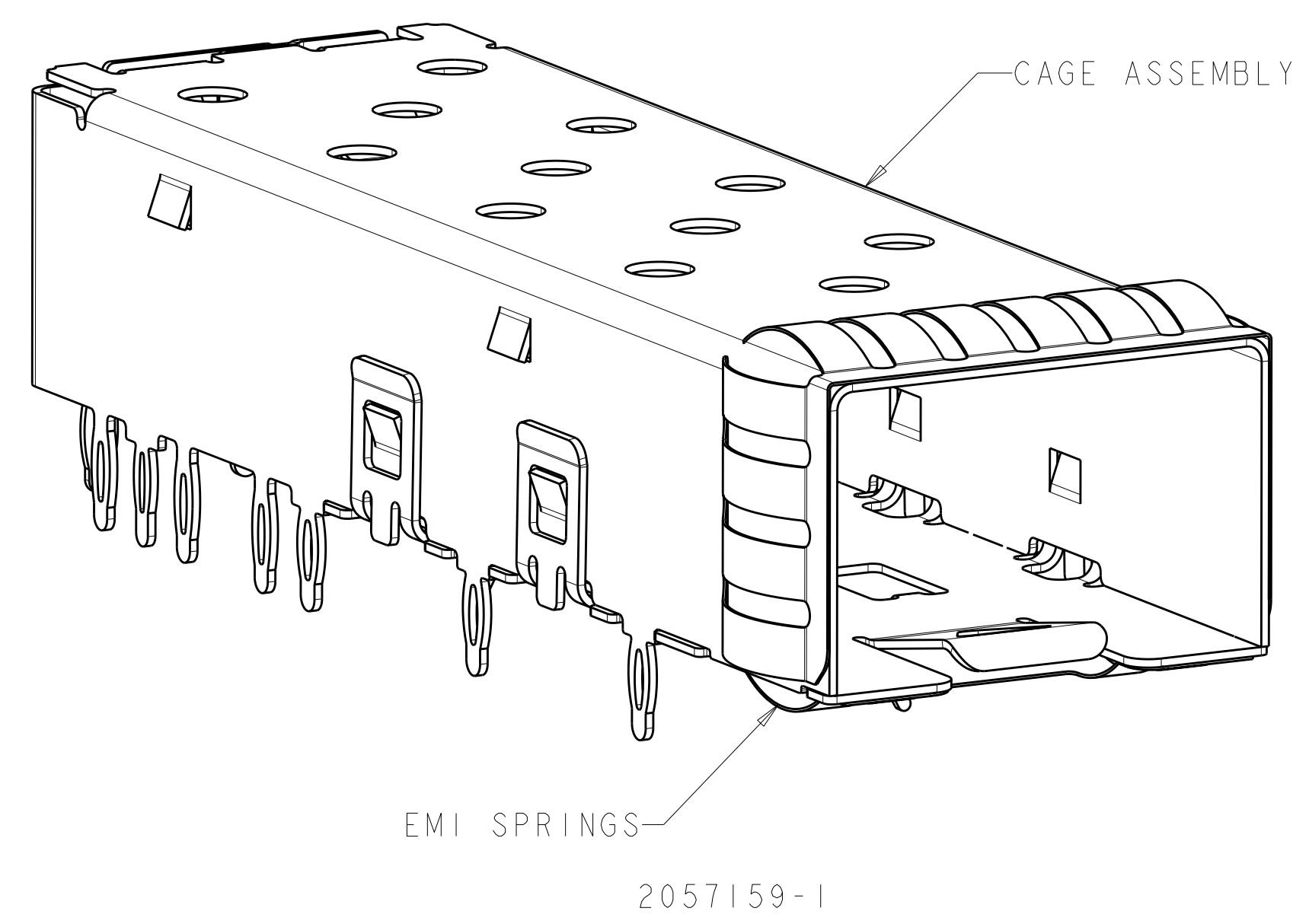
Tel: +86-755-8981 8866 Fax: +86-755-8427 6832

Email & Skype: info@chipsmall.com Web: www.chipsmall.com

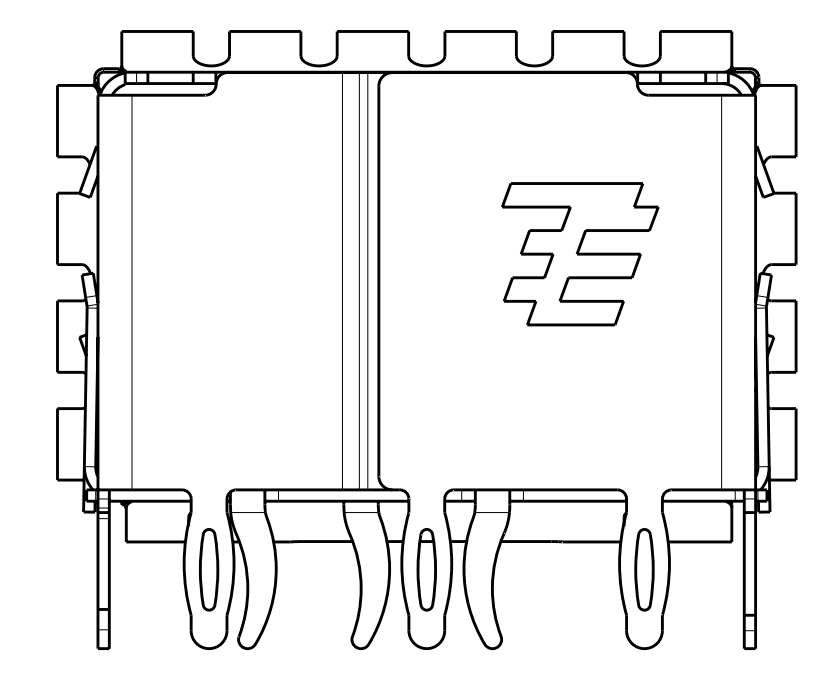
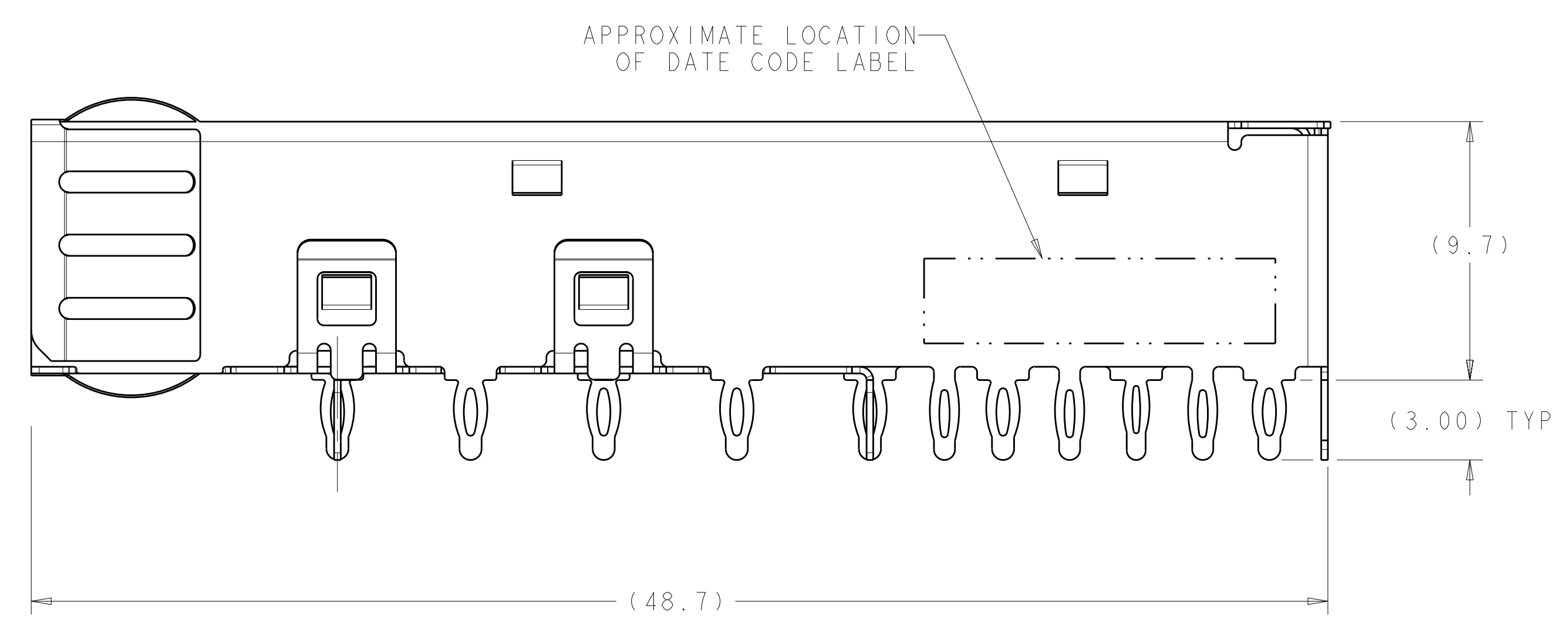
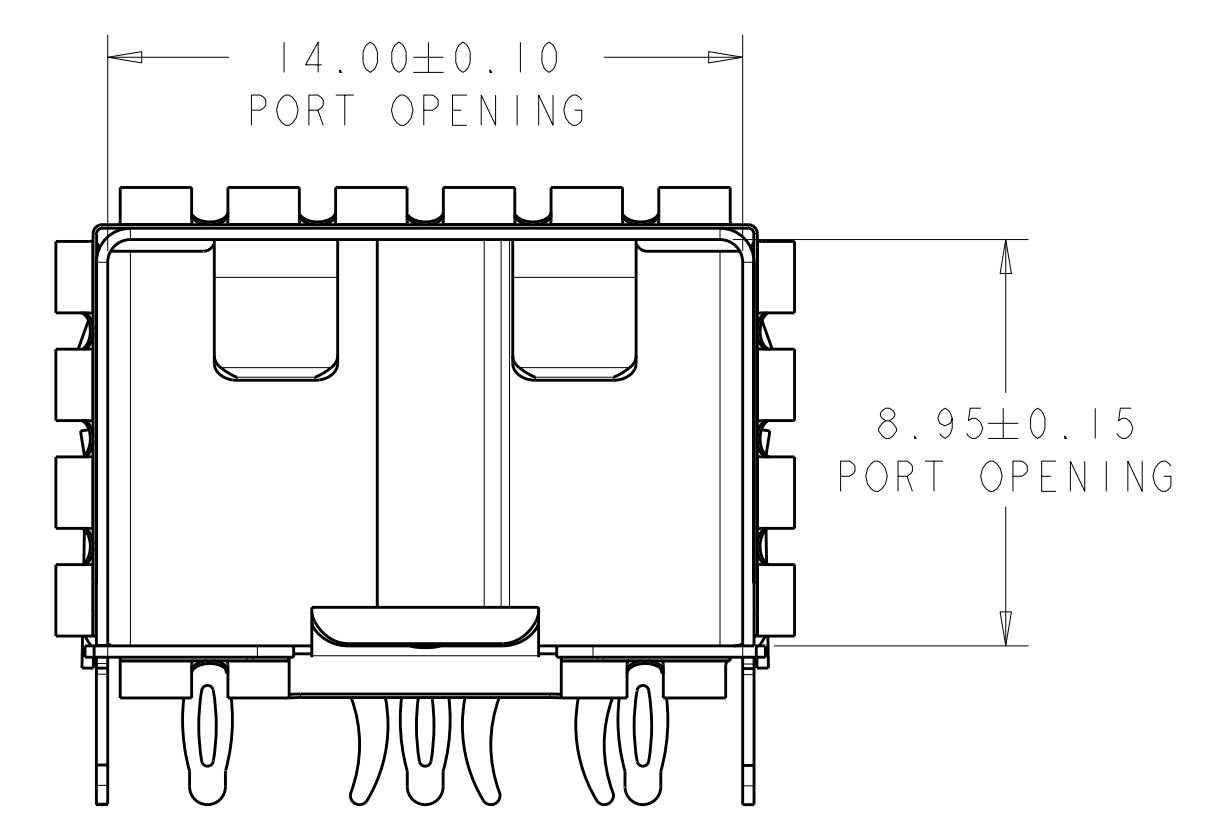
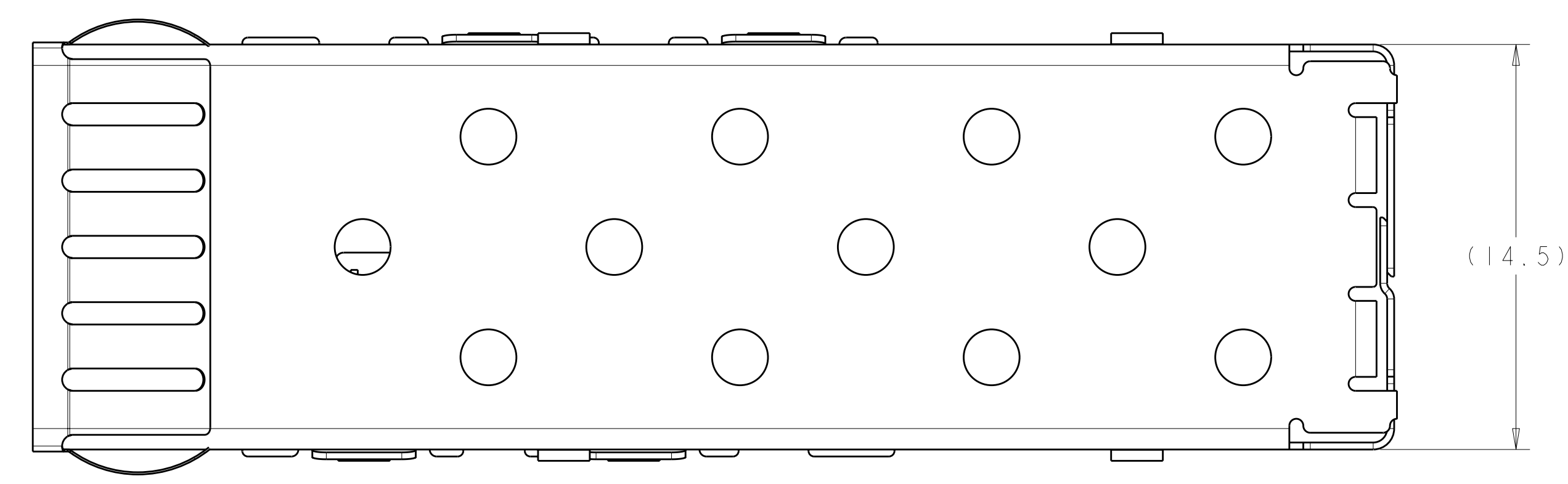
Address: A1208, Overseas Decoration Building, #122 Zhenhua RD., Futian, Shenzhen, China



LOC	DIST	REV	DATE	DWN	APVD
GP	00	B	200CT2009	CR	MS
		C	29JAN2012	TX	AC



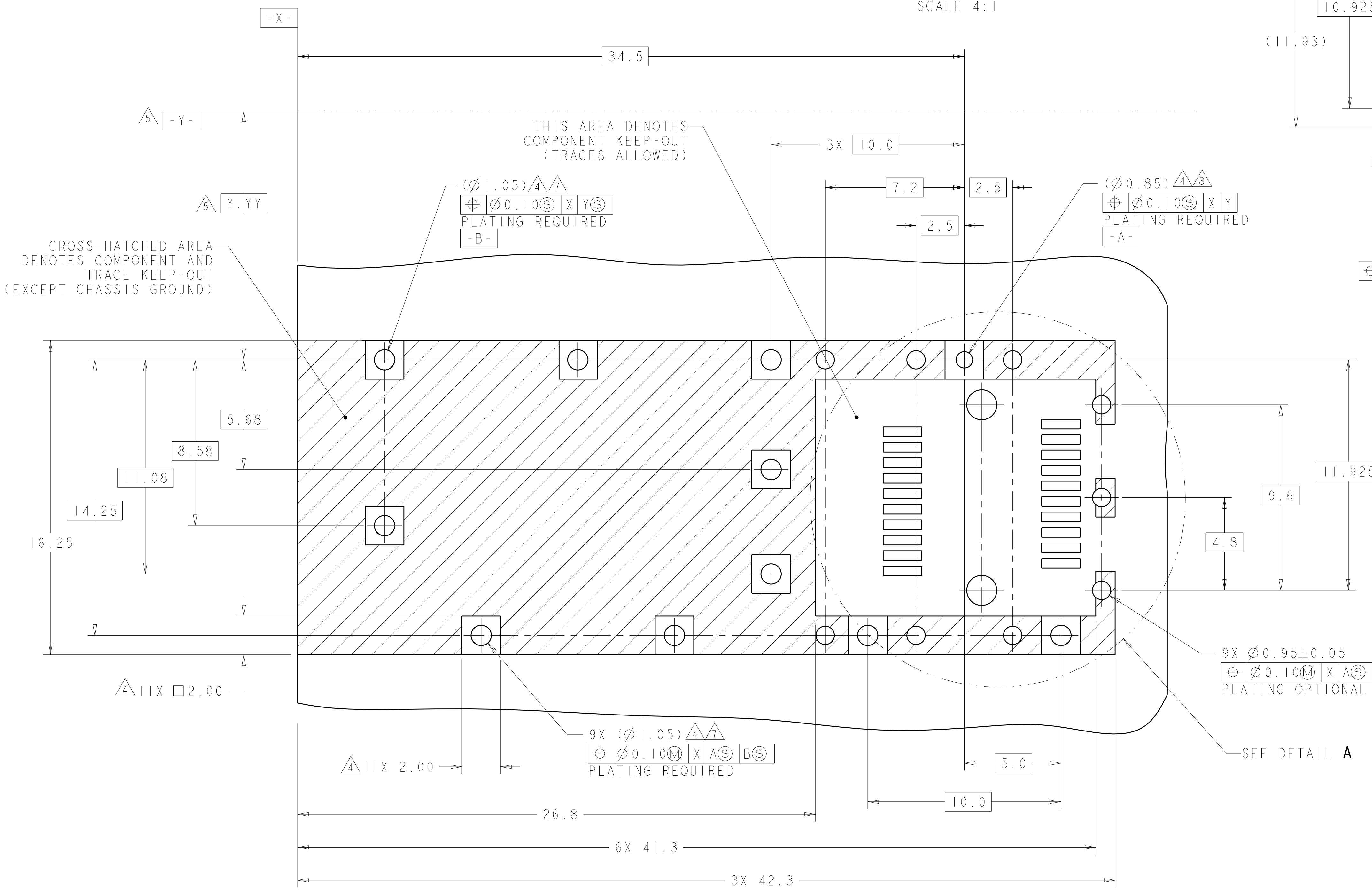
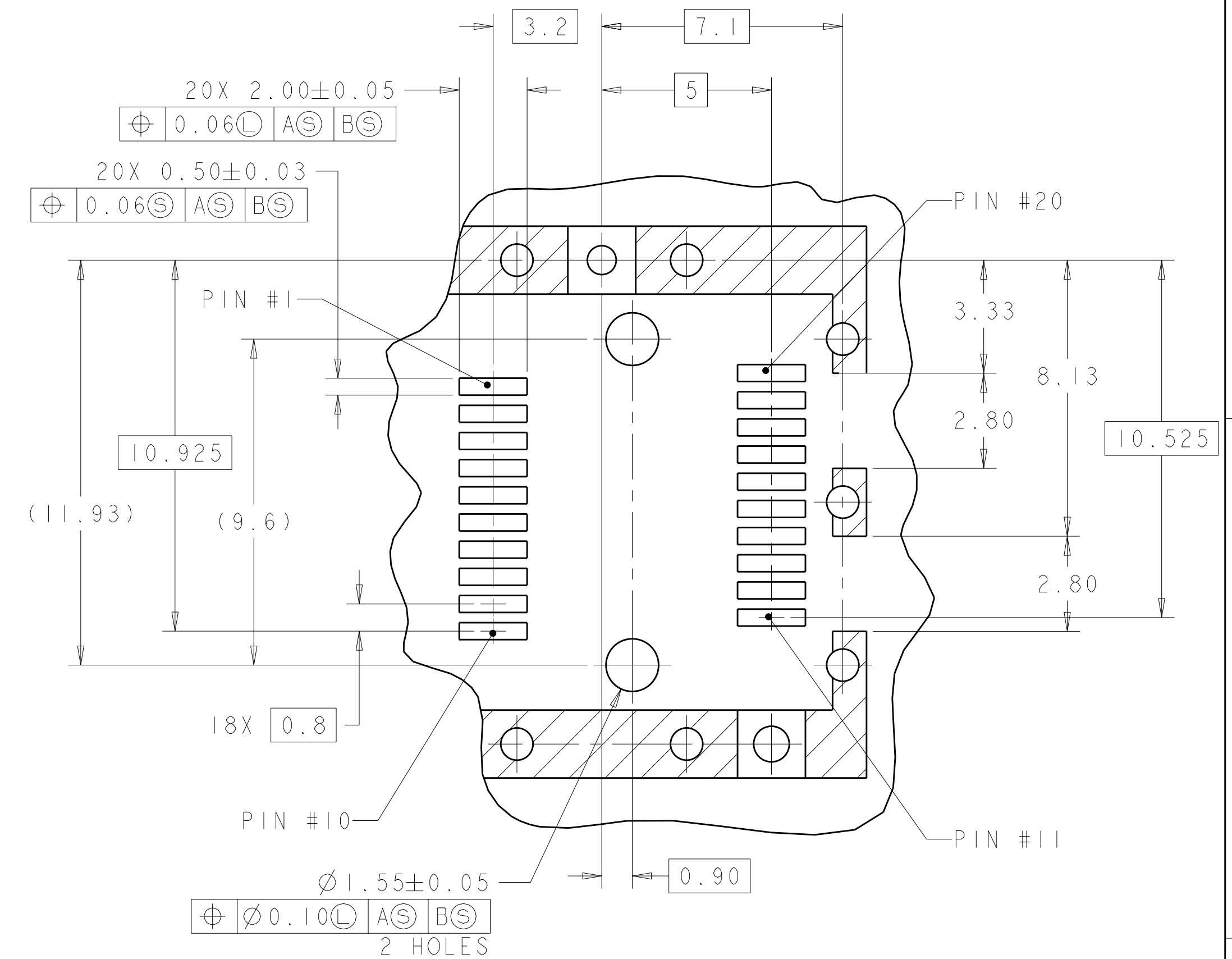
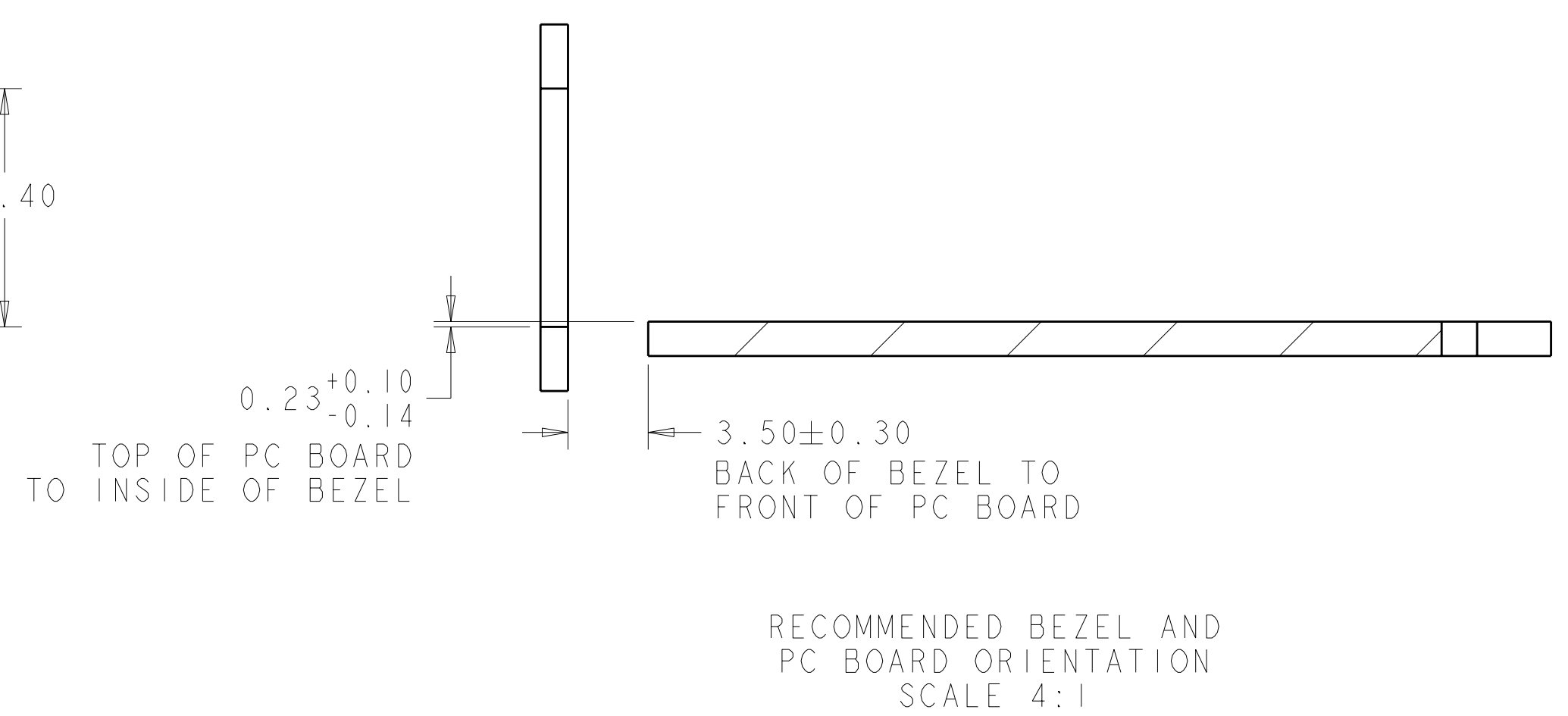
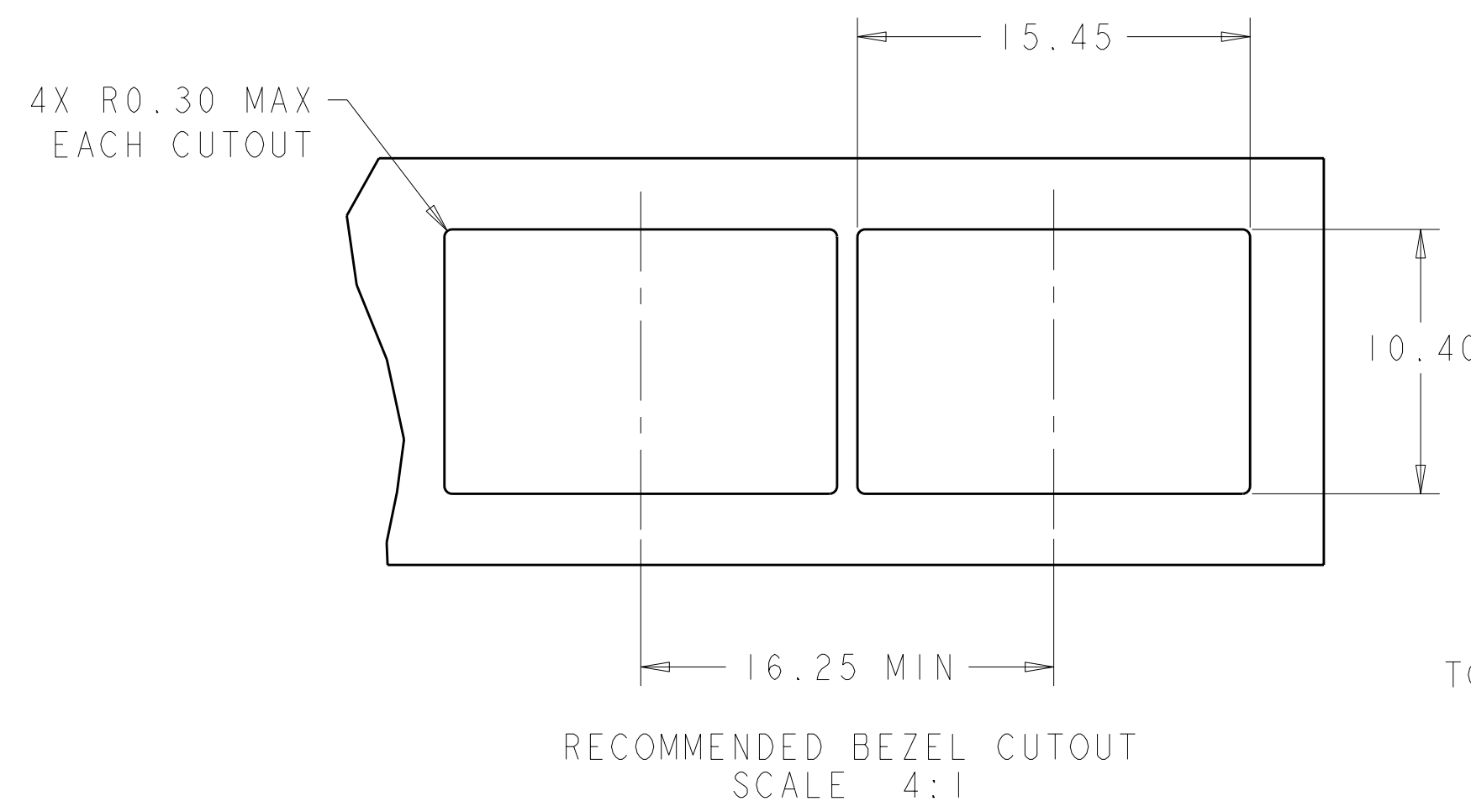
- △ MATERIAL:
CAGE ASSEMBLY - NICKEL-SILVER ALLOY.
EMI SPRINGS - COPPER ALLOY.
- △ FINISH:
EMI SPRINGS - 0.8um MIN MATTE TIN OVER 0.8um MIN NICKEL
NON-PLATED EDGES PERMISSIBLE.
- 3. MATES WITH SFP MSA COMPLIANT TRANSCEIVERS.
- △ PADS AND VIAS CHASSIS GROUND.
- △ DATUM AND BASIC DIMENSION ESTABLISHED BY CUSTOMER.
- 6. MINIMUM PC BOARD THICKNESS:
SINGLE SIDED = 1.50 mm
DOUBLE SIDED = 3.00 mm
- △ REFERENCE APPLICATION SPEC. 114-13120, HOLE A, FOR
RECOMMENDED DRILL HOLE DIAMETER AND PLATING
THICKNESS.
- △ REFERENCE APPLICATION SPEC. 114-13120, HOLE C, FOR
RECOMMENDED DRILL HOLE DIAMETER AND PLATING
THICKNESS.
- 9. NOTE DELETED.



2057159-1
PART NUMBER

THIS DRAWING IS A CONTROLLED DOCUMENT.		DWN M. SCHMITT 24APR2008	STE TE Connectivity	
DIMENSIONS: mm		CHK M. SCHMITT 24APR2008	NAME SFP+ 1X1 CAGE ASSEMBLY PRESS-FIT, EXTERNAL EMI SPRINGS	
TOLERANCES UNLESS OTHERWISE SPECIFIED:		APVD B. WERTZ 24APR2008	PRODUCT SPEC 108-2364	
9 PLC ±0.1		APPLICATION SPEC 114-13120		
1 PLC ±0.1		SIZE CAGE CODE DRAWING NO. RESTRICTED TO		
2 PLC ±0.1		A100779C-2057159		
3 PLC ±0.1		CUSTOMER DRAWING SCALE 6:1 SHEET 1 OF 2 REV C		
4 PLC ±0.05				
5 PLC ±0.05				
ANGLES ±0.05				
MATERIAL				
FINISH				

LOC	DIST	REV	DATE	BY	APPD
GP	00				



RECOMMENDED PCB LAYOUT SCALE 8:1

THIS DRAWING IS A CONTROLLED DOCUMENT.		DWN M. SCHMITT 24APR2008	TE Connectivity
DIMENSIONS: mm		CHK M. SCHMITT 24APR2008	
TOLERANCES UNLESS OTHERWISE SPECIFIED:		APVD B. WERTZ 24APR2008	NAME SFP+ 1X1 CAGE ASSEMBLY PRESS-FIT, EXTERNAL EMI SPRINGS
Ø	9 PLC ±0.1	PRODUCT SPEC 108-2364	SIZE CAGE CODE DRAWING NO. RESTRICTED TO
PLC	1 PLC ±0.1	APPLICATION SPEC 114-13120	A100779C=2057159
PLC	2 PLC ±0.1	WEIGHT	SCALE 6:1 SHEET 2 OF 2 REV C
PLC	3 PLC ±0.1	CUSTOMER DRAWING	
PLC	4 PLC ±0.05		
ANGLES	±0.05		