



Chipsmall Limited consists of a professional team with an average of over 10 year of expertise in the distribution of electronic components. Based in Hongkong, we have already established firm and mutual-benefit business relationships with customers from,Europe,America and south Asia,supplying obsolete and hard-to-find components to meet their specific needs.

With the principle of "Quality Parts,Customers Priority,Honest Operation,and Considerate Service",our business mainly focus on the distribution of electronic components. Line cards we deal with include Microchip,ALPS,ROHM,Xilinx,Pulse,ON,Everlight and Freescale. Main products comprise IC,Modules,Potentiometer,IC Socket,Relay,Connector.Our parts cover such applications as commercial,industrial, and automotives areas.

We are looking forward to setting up business relationship with you and hope to provide you with the best service and solution. Let us make a better world for our industry!



Contact us

Tel: +86-755-8981 8866 Fax: +86-755-8427 6832

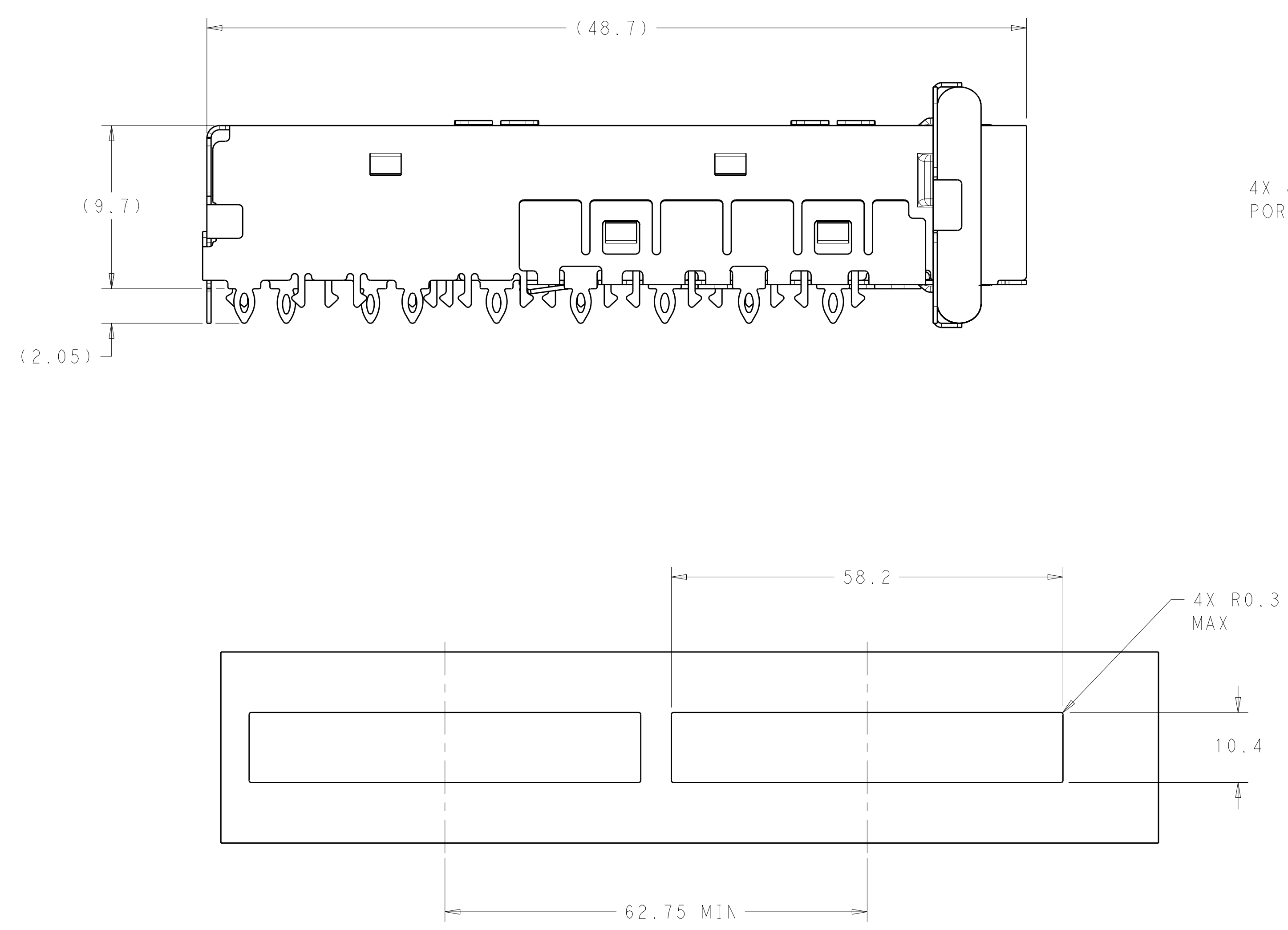
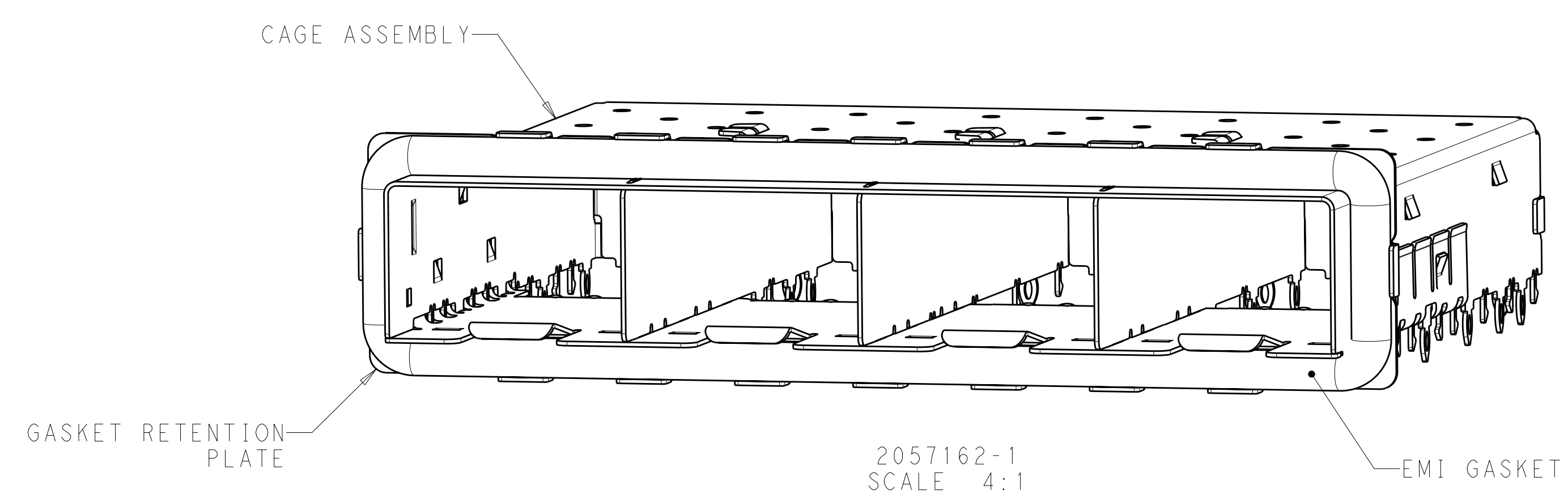
Email & Skype: info@chipsmall.com Web: www.chipsmall.com

Address: A1208, Overseas Decoration Building, #122 Zhenhua RD., Futian, Shenzhen, China

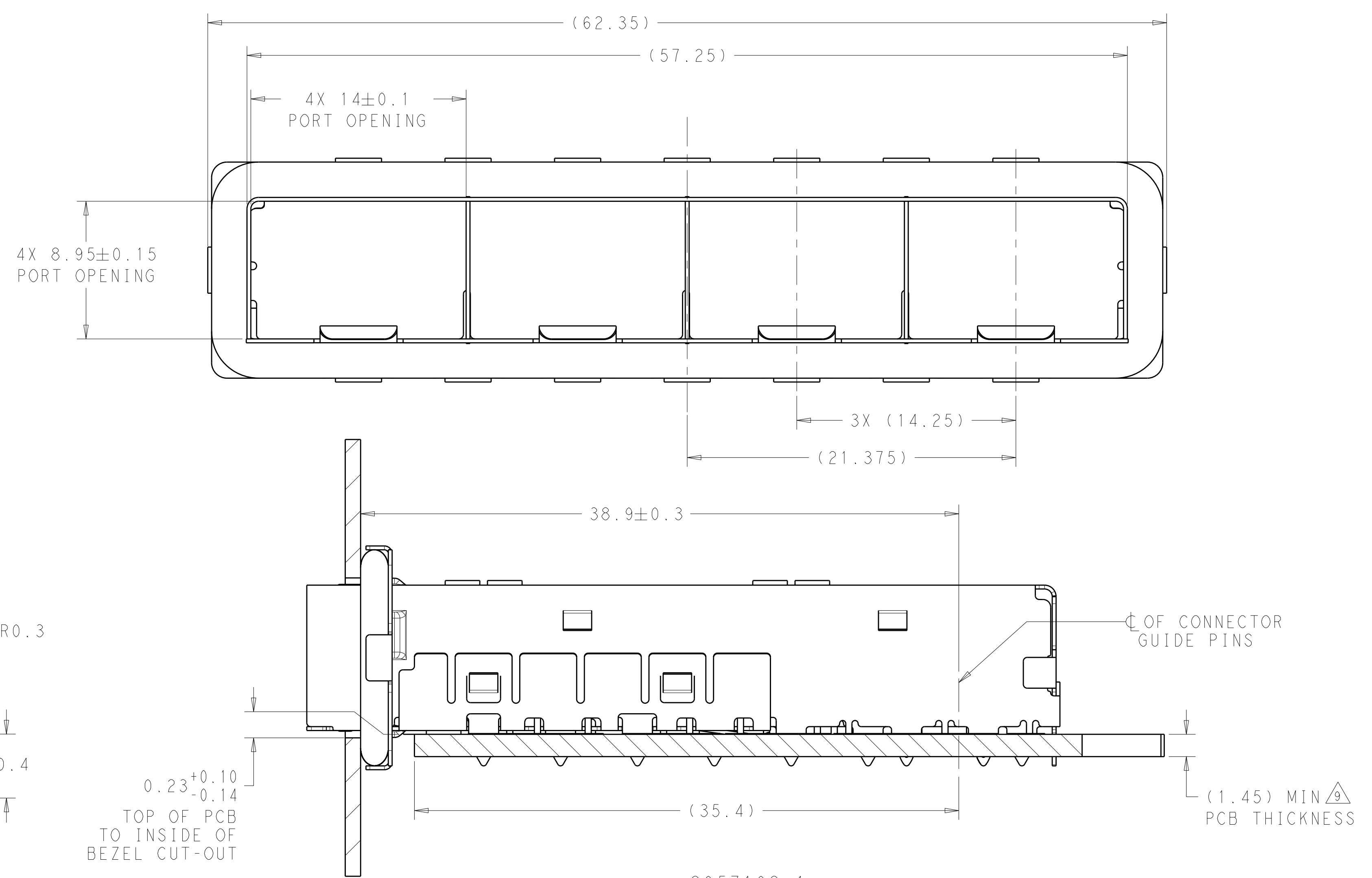


LOC	DIST	REVISIONS			
GP	00	REV	DATE	DWN	APVD
		A	RELEASED PER ECO-10-025263	21FEB2011	CJV JTL

- 1 MATERIAL:
 CAGE ASSEMBLY: NICKEL SILVER ALLOY, 0.25mm THK.
 GASKET RETENTION PLATE: STAINLESS STEEL
 EMI GASKET: PLATED FILLED SILICONE
- 2 PADS AND VIAS CHASSIS GROUND.
- 3 DATUM AND BASIC DIMENSION ESTABLISHED BY CUSTOMER.
- 4 MATES WITH SFP MSA COMPLIANT TRANSCEIVERS.
- 5 INTERPRETATION OF DATUM REFERENCE FRAME IN ACCORDANCE WITH SECT 4.4.1.1 OF ASME Y14.5M-1994.
- 6 REFERENCE APPLICATION SPEC. 114-13120, HOLE A, FOR RECOMMENDED DRILL HOLE DIAMETER AND PLATING THICKNESS.
- 7 REFERENCE APPLICATION SPEC. 114-13120, HOLE B, FOR RECOMMENDED DRILL HOLE DIAMETER AND PLATING THICKNESS.
- 8 HOLE PATTERN REPEATS FOR EACH PORT. SPACING BETWEEN PORTS IS 14.25mm.
- 9 MINIMUM PC BOARD THICKNESS:
 SINGLE SIDED = 1.45mm



RECOMMENDED BEZEL CUT-OUT
SCALE 2:1

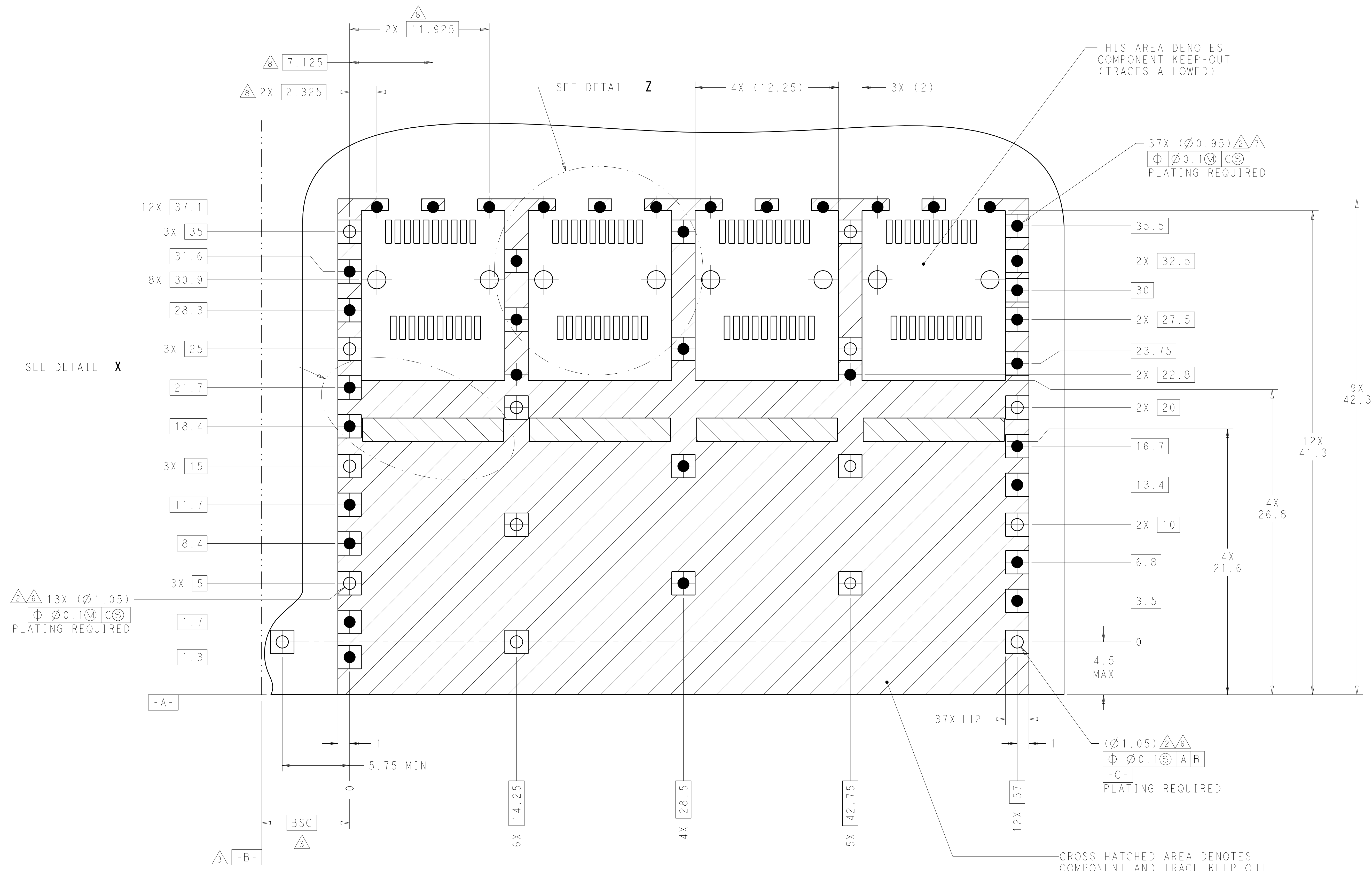


2057162-1
MOUNTED ON PC BOARD SHOWN
THRU RECOMMENDED BEZEL
SCALE 5:1

2057162-1
PART NUMBER

<small>THIS DRAWING IS UNPUBLISHED. RELEASED FOR PUBLICATION BY TYCO ELECTRONICS CORPORATION. ALL RIGHTS RESERVED.</small>		DWN C. ROHLER 23MAR2009 CHK M. SCHMITT 23MAR2009 APVD B. WERTZ 23MAR2009	Tyco Electronics Tyco Electronics Harrisburg, PA 17105-3608
DIMENSIONS: mm 	TOLERANCES UNLESS OTHERWISE SPECIFIED: 0 PLC ±.1 1 PLC ±.1 2 PLC ±.1 3 PLC ±.1 4 PLC ±.1 ANGLES ±.1 FINISH -	PRODUCT SPEC 108-2364 APPLICATION SPEC 114-13120 WEIGHT - CUSTOMER DRAWING	NAME SFP+ ENHANCED, 1X4 CAGE ASSEMBLY PRESS FIT, EMI GASKET SIZE CAGE CODE DRAWING NO. A100779C=2057162 RESTRICTED TO SCALE 5:1 SHEET 1 OF 3 REV A

LOC	DIST	REV	DATE	BY	APPD
-	-	1	-	-	-
DESCRIPTION			DATE	DWN	APPD
SEE SHEET 1			-	-	-



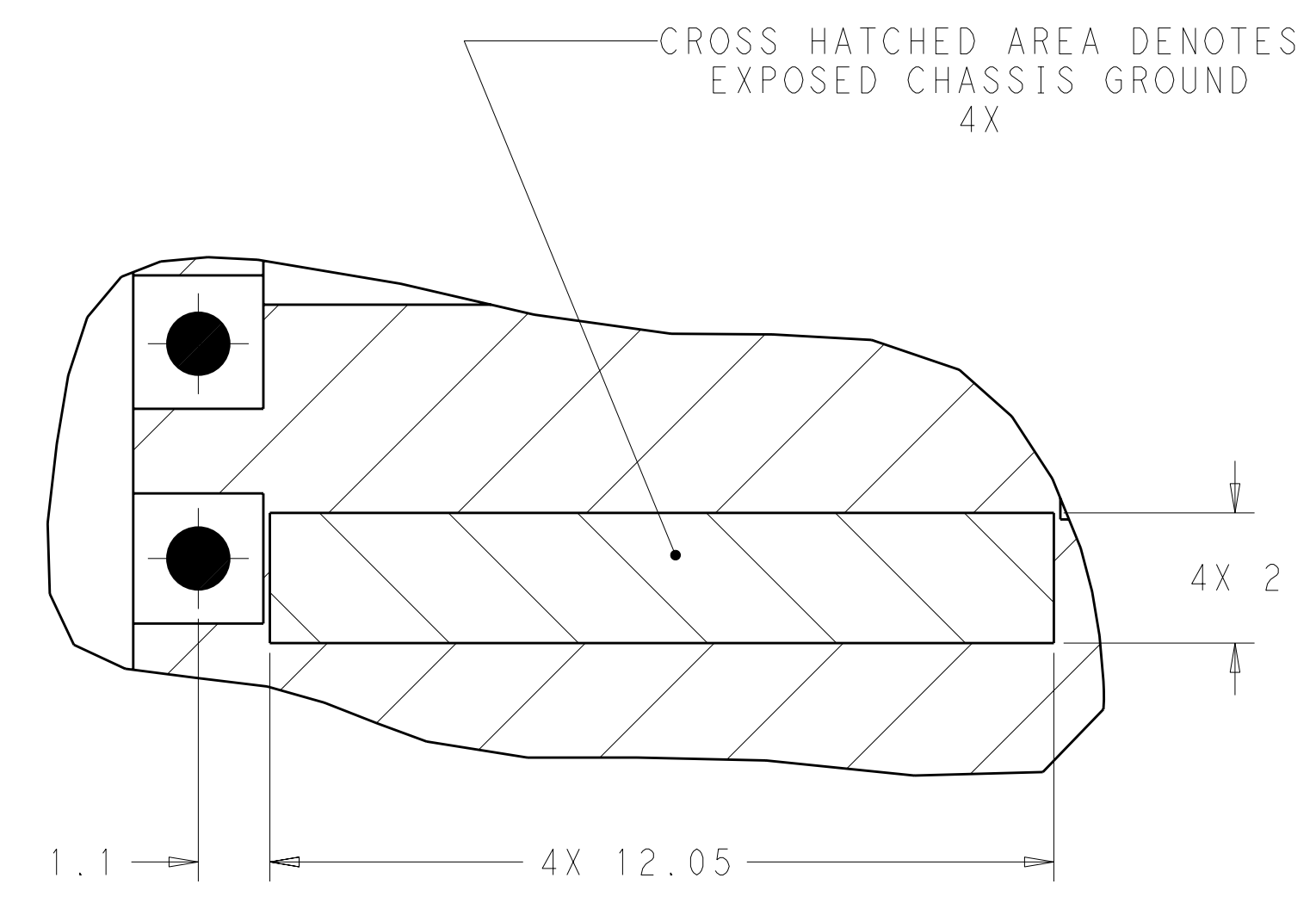
RECOMMENDED PCB CONFIGURATION
 WITH KEEP-OUT AREAS
 SCALE 6:1

DIMENSIONS:		TOLERANCES UNLESS OTHERWISE SPECIFIED:		MATERIAL:		FINISH:	
mm	9 PLC	±.1	9 PLC	±.1	9 PLC	±.1	9 PLC
	5 PLC	±.1	5 PLC	±.1	5 PLC	±.1	5 PLC
	4 PLC	±.1	4 PLC	±.1	4 PLC	±.1	4 PLC
	ANGLES	±.1	ANGLES	±.1	ANGLES	±.1	ANGLES

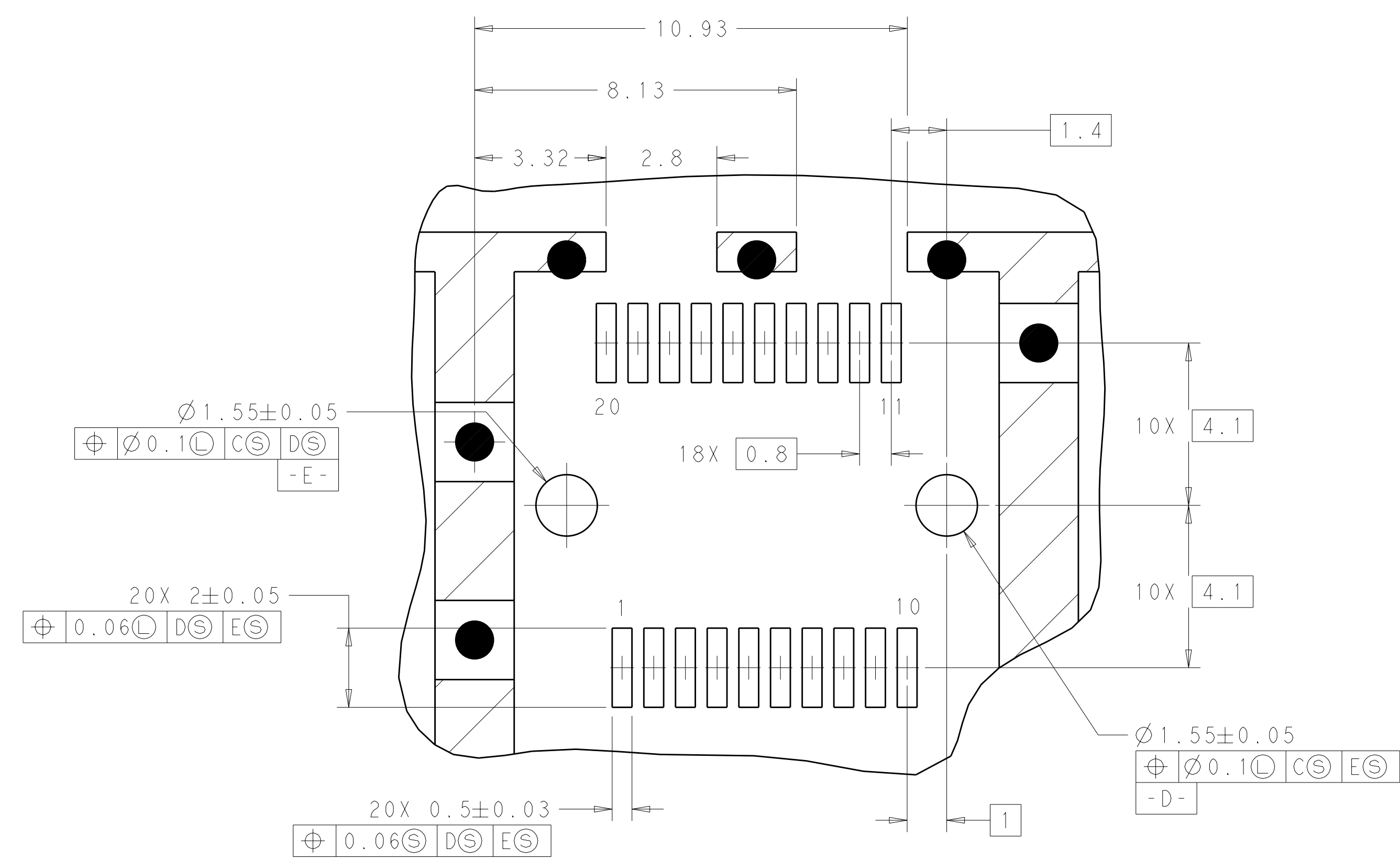
DWN	C. ROHLER	23MAR2009	NAME	SFP+ ENHANCED, 1X4 CAGE ASSEMBLY
CHK	M. SCHMITT	23MAR2009	PRODUCT SPEC	108-2364
APPD	B. WERTZ	23MAR2009	APPLICATION SPEC	114-13120
MATERIAL		WEIGHT	SIZE	CAGE CODE
CUSTOMER DRAWING		SCALE	5:1	SHEET 2 OF 3

TYCO ELECTRONICS CORPORATION	Harrisburg, PA 17105-3608
100779	2057162
REV	A

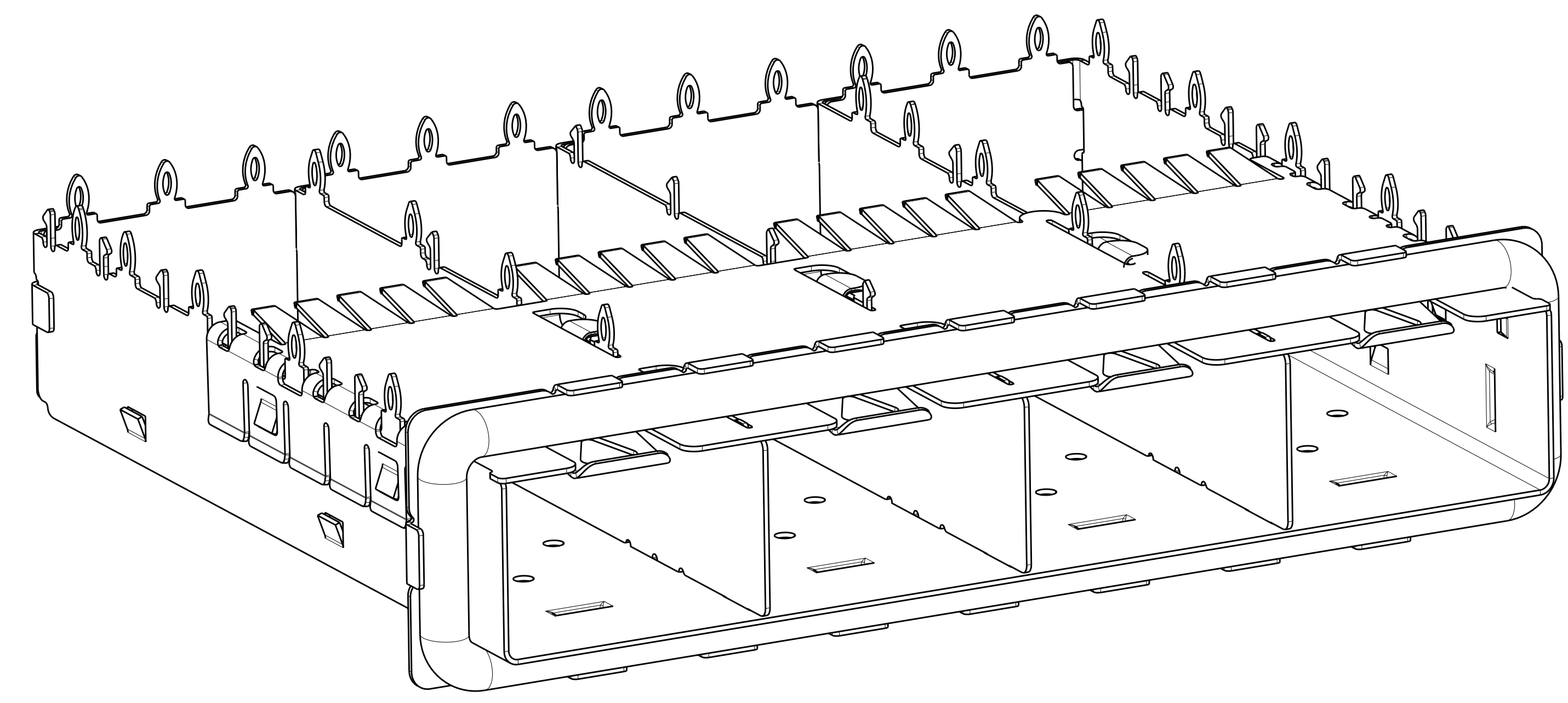
LOC	DIST	REV	DATE	BY	APPD
-	-	1	-	-	-
DESCRIPTION			DATE	DWN	APPD
SEE SHEET 1			-	-	-



DETAIL X
SCALE 10:1



DETAIL Z
RECOMMENDED PT CONNECTOR LAYOUT
4X INDIVIDUALLY PLACED
SCALE 10:1



BOTTOM ISOMETRIC VIEW
2057162-1

<small>THIS DRAWING IS UNPUBLISHED. RELEASED FOR PUBLICATION. ALL RIGHTS RESERVED.</small> <small>TYCO ELECTRONICS CORPORATION, HARRISBURG, PA 17105-3608</small>		DWN: C. ROHLER 23MAR2009 CHK: M. SCHMITT 23MAR2009 APPD: B. WERTZ 23MAR2009	Tyco Electronics Harrisburg, PA 17105-3608
DIMENSIONS: mm TOLERANCES UNLESS OTHERWISE SPECIFIED: 0 PLC ±.1 1 PLC ±.1 2 PLC ±.1 3 PLC ±.1 4 PLC ±.1 ANGLES ±.1 FINISH #1		PRODUCT SPEC: 108-2364 APPLICATION SPEC: 114-13120 WEIGHT: - CUSTOMER DRAWING	NAME: SFP+ ENHANCED, 1X4 CAGE ASSEMBLY PRESS FIT, EMI GASKET SIZE: A 00779 C=2057162 SCALE: 5:1 SHEET: 3 OF 3 REV: A