



Chipsmall Limited consists of a professional team with an average of over 10 year of expertise in the distribution of electronic components. Based in Hongkong, we have already established firm and mutual-benefit business relationships with customers from,Europe,America and south Asia,supplying obsolete and hard-to-find components to meet their specific needs.

With the principle of “Quality Parts,Customers Priority,Honest Operation,and Considerate Service”,our business mainly focus on the distribution of electronic components. Line cards we deal with include Microchip,ALPS,ROHM,Xilinx,Pulse,ON,Everlight and Freescale. Main products comprise IC,Modules,Potentiometer,IC Socket,Relay,Connector.Our parts cover such applications as commercial,industrial, and automotives areas.

We are looking forward to setting up business relationship with you and hope to provide you with the best service and solution. Let us make a better world for our industry!



Contact us

Tel: +86-755-8981 8866 Fax: +86-755-8427 6832

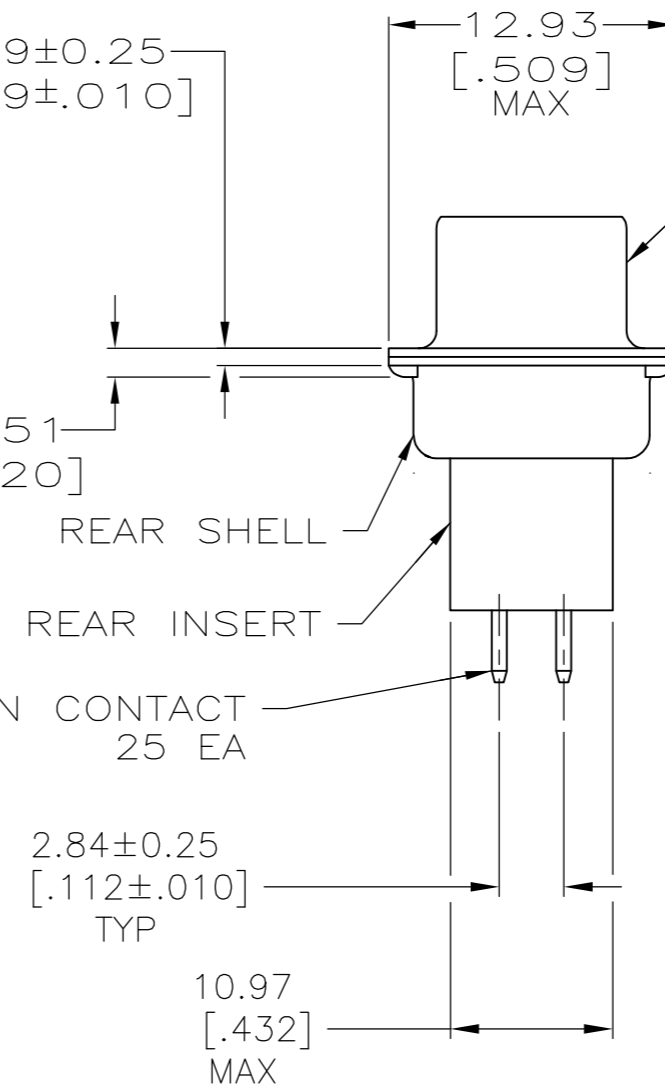
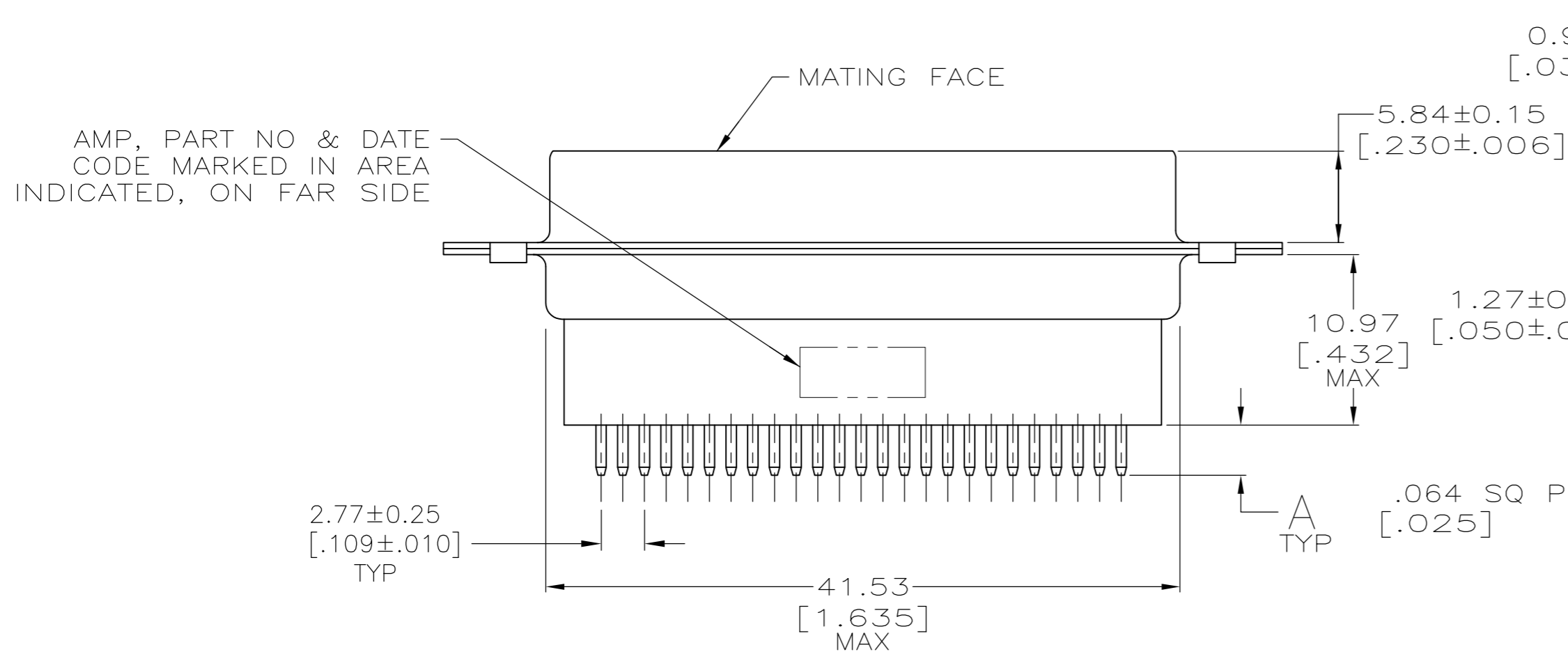
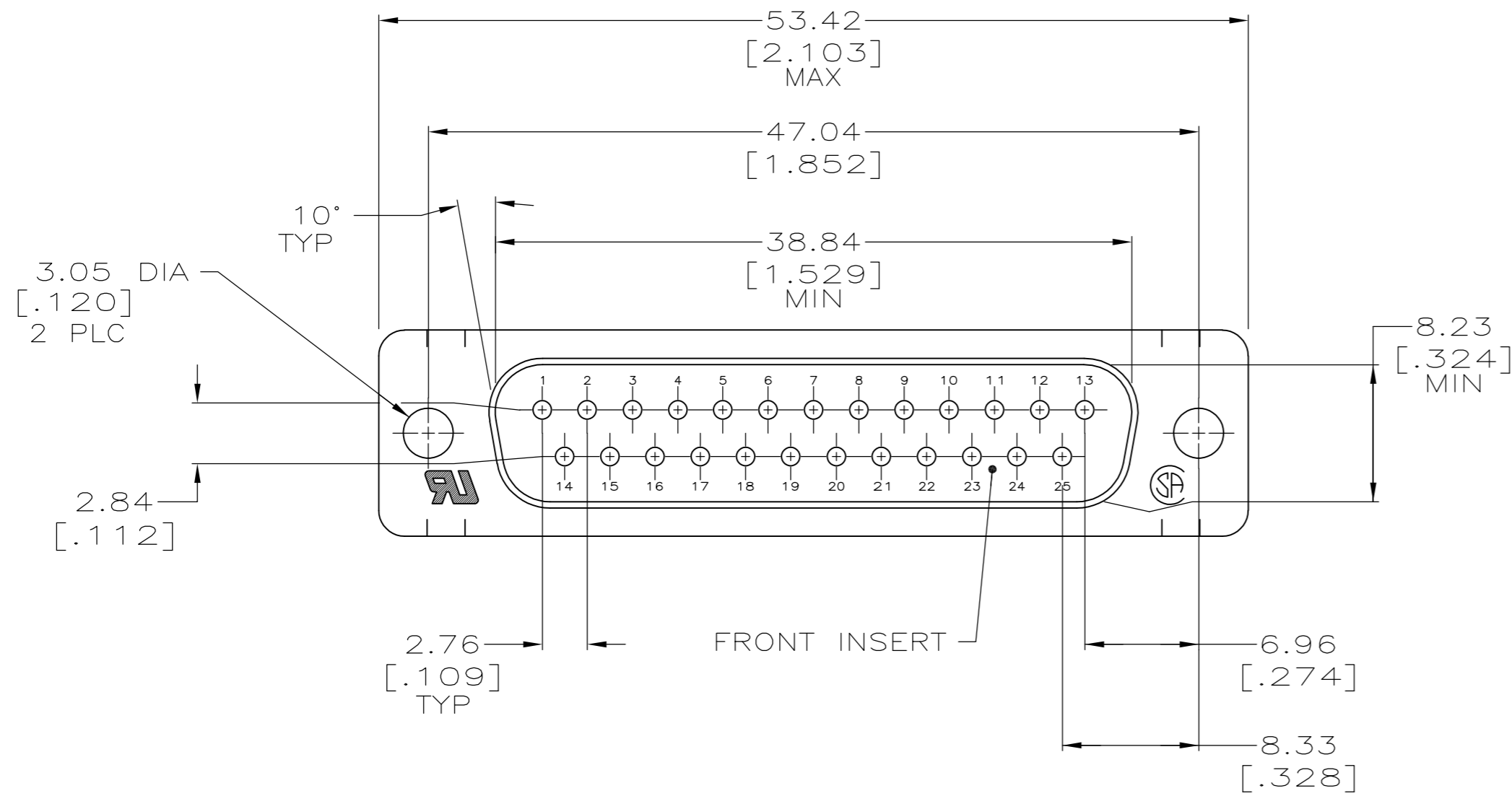
Email & Skype: info@chipsmall.com Web: www.chipsmall.com

Address: A1208, Overseas Decoration Building, #122 Zhenhua RD., Futian, Shenzhen, China



THIS DRAWING IS UNPUBLISHED. RELEASED FOR PUBLICATION
 © COPYRIGHT - By - ALL RIGHTS RESERVED.

LOC		DIST		REVISIONS			
P	LTR	DESCRIPTION		DATE	DWN	APVD	
GP	00	AA	REVISED PER ECO-14-011808	09AUG2014	AP	SB	



- ⚠ MOLDED PARTS: GLASS-FILLED PBT OR GLASS-FILLED NYLON, UL94V-0 RATED. COLOR: BLACK
- SHIELDS: CARBON STEEL.
- CONTACTS: BRASS.
- ⚠ SHELLS: 5.08μm [.000200] MIN ZINC WITH YELLOW CHROMATE COATING.
- CONTACTS: GOLD PLATED FOR LENGTH OF 3.81 [.150] MIN FROM MATING END, MIN GOLD (SEE TABLE) IN MATED AREA. 2.54μm [.000100] MIN TIN-LEAD ON SOLDER END, ALL OVER 1.27μm [.000050] MIN NICKEL.
- 3. NOTE DELETED.
- 4. NOTE DELETED.
- 5. NOTE DELETED.
- ⚠ NOTE DELETED.
- ⚠ OBSOLETE PART NUMBER.
- ⚠ SHELLS: 5.08μm [.000200] MIN ZINC WITH YELLOW CHROMATE COATING.
- CONTACTS: GOLD PLATED FOR LENGTH OF 3.81 [.150] MIN FROM MATING END, 0.76μm [.000030] MIN GOLD IN MATED AREA, 2.54μm [.000100] MIN TIN-LEAD ON SOLDER END, BOTH OVER 1.27μm [.000050] MIN NICKEL.
- OR
- GOLD FLASH OVER PALLADIUM-NICKEL PLATED FOR LENGTH OF 3.81 [.150] MIN FROM MATING END, 0.76μm [.000030] MIN TOTAL IN MATED AREA, 2.54μm [.000100] MIN TIN-LEAD ON SOLDER END, BOTH OVER 1.27μm [.000050] MIN NICKEL.

	-	-	⚠	205737-9
SUPSD 205737-7	⚠	4.78 [.188]		205737-8
	⚠	4.78 [.188]		205737-7
SUPSD 205737-7	⚠	16.54 [.651]		205737-6
	-	-	⚠	205737-5
SUPSD 205737-7	⚠	10.85 [.427]		205737-4
SUPSD 205737-7	⚠	10.85 [.427]		205737-3
SUPSD 205737-7	⚠	3.18 [.125]		205737-2
SUPSD 205737-7	⚠	3.18 [.125]		205737-1
	GOLD FINISH	A		PART NUMBER

THIS DRAWING IS A CONTROLLED DOCUMENT.

DWN	J. POLIGNONE	01FEB07
CHK	E. BRIANT	01FEB07
APVD	E. BRIANT	01FEB07
PRODUCT SPEC	108-40025	
APPLICATION SPEC	114-40013	
WEIGHT	-	
CUSTOMER DRAWING		

TE TE Connectivity

PLUG ASSY, SIZE 3, 25 POS, VERTICAL, -

SIZE	A2	CAGE CODE	00779	DRAWING NO	C=205737	RESTRICTED TO	-
SCALE	NTS	SHEET	1 OF 1	REV	AA		