



Chipsmall Limited consists of a professional team with an average of over 10 year of expertise in the distribution of electronic components. Based in Hongkong, we have already established firm and mutual-benefit business relationships with customers from,Europe,America and south Asia,supplying obsolete and hard-to-find components to meet their specific needs.

With the principle of "Quality Parts,Customers Priority,Honest Operation,and Considerate Service",our business mainly focus on the distribution of electronic components. Line cards we deal with include Microchip,ALPS,ROHM,Xilinx,Pulse,ON,Everlight and Freescale. Main products comprise IC,Modules,Potentiometer,IC Socket,Relay,Connector.Our parts cover such applications as commercial,industrial, and automotives areas.

We are looking forward to setting up business relationship with you and hope to provide you with the best service and solution. Let us make a better world for our industry!



Contact us

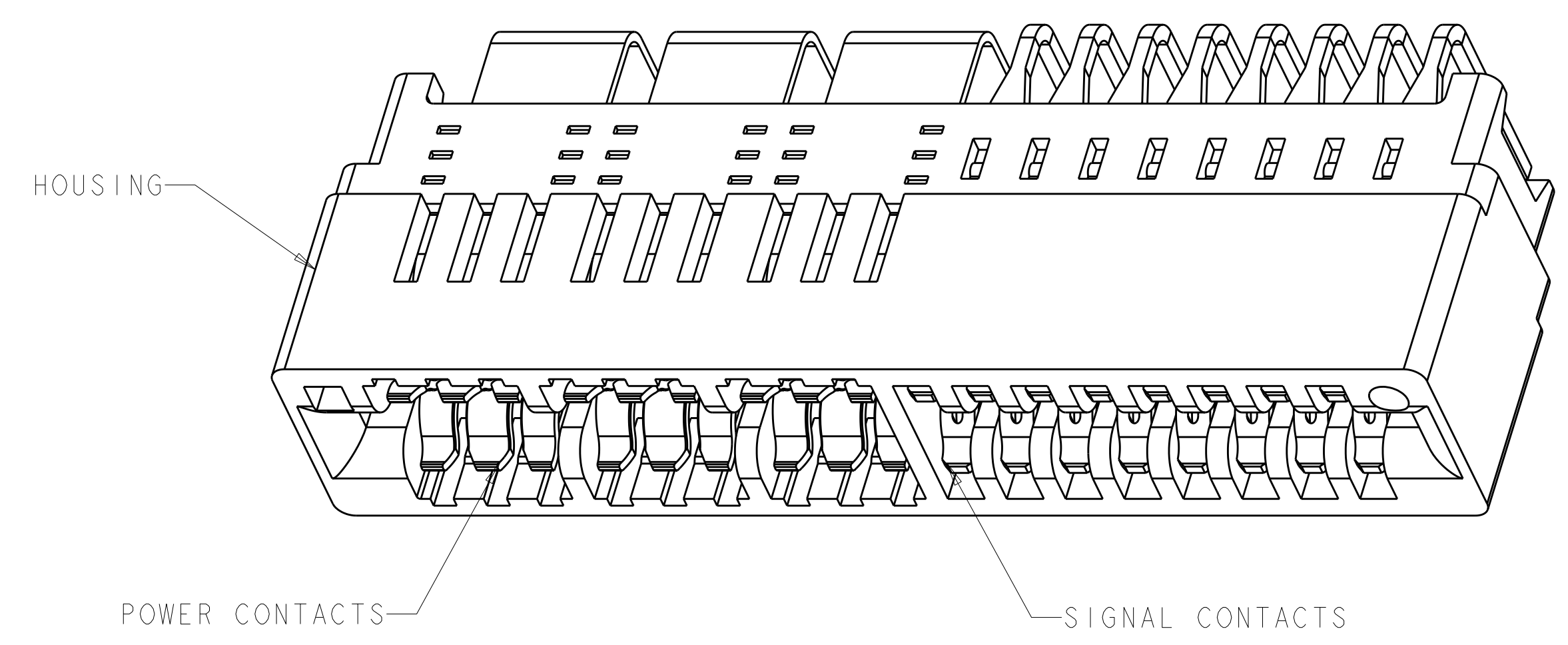
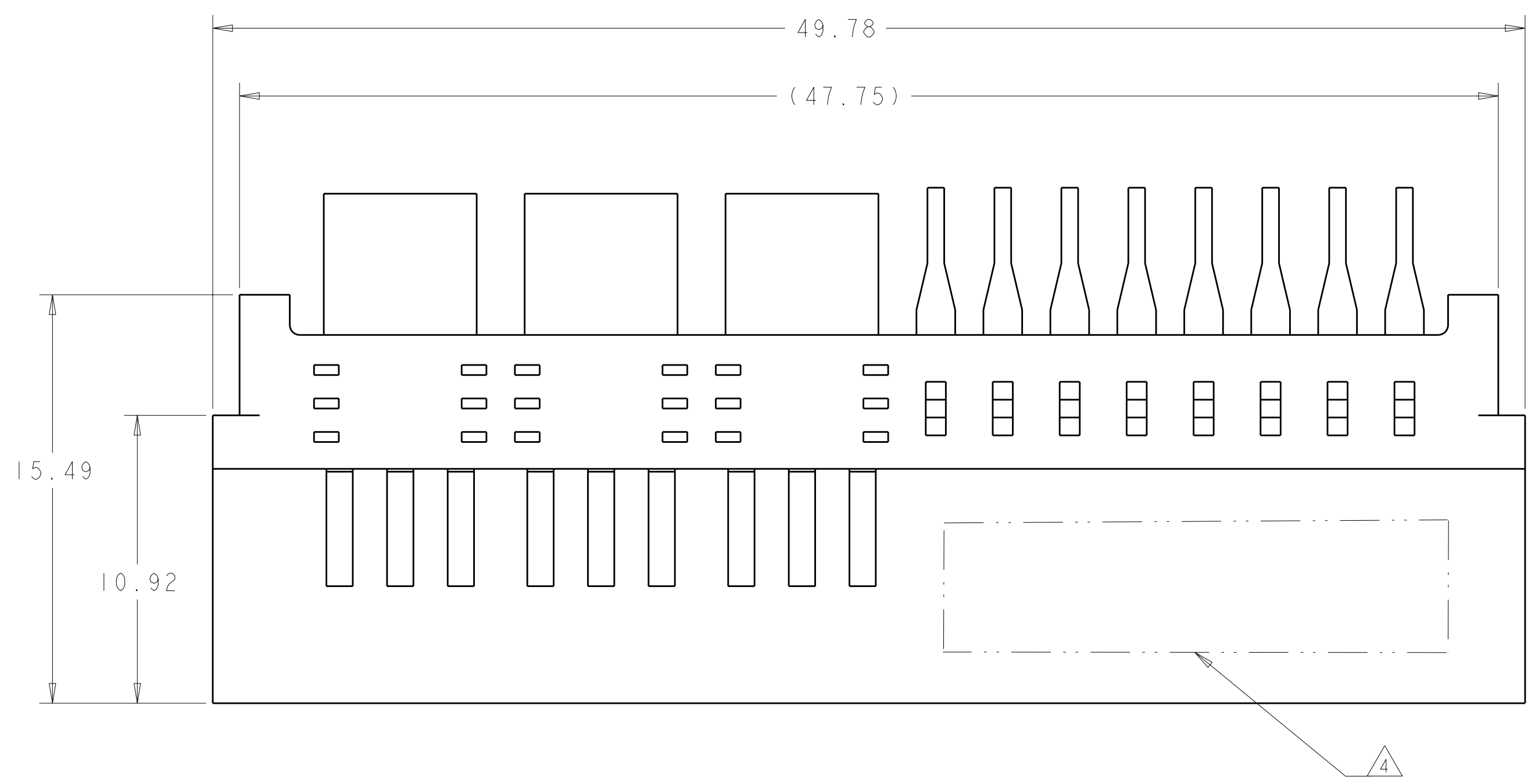
Tel: +86-755-8981 8866 Fax: +86-755-8427 6832

Email & Skype: info@chipsmall.com Web: www.chipsmall.com

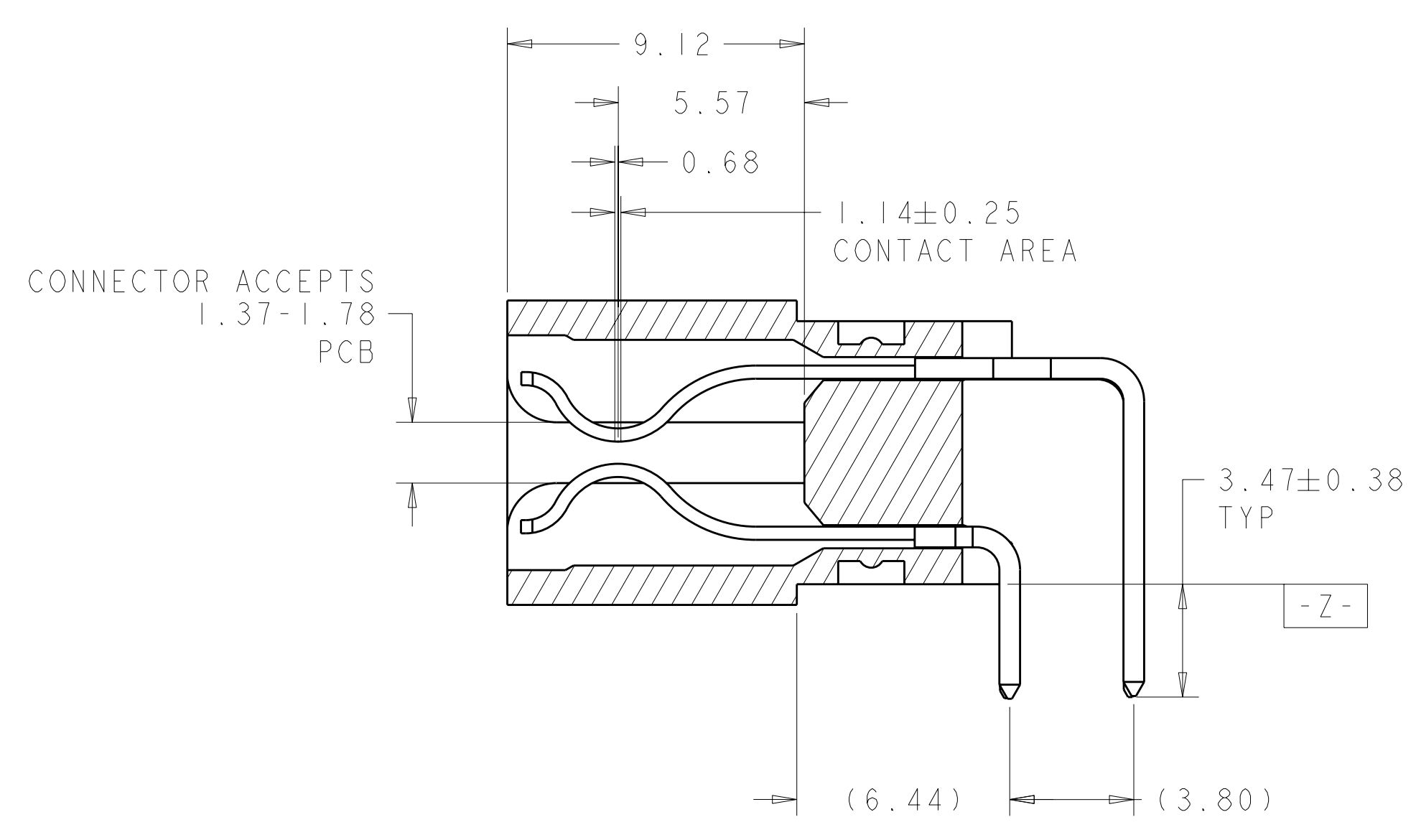
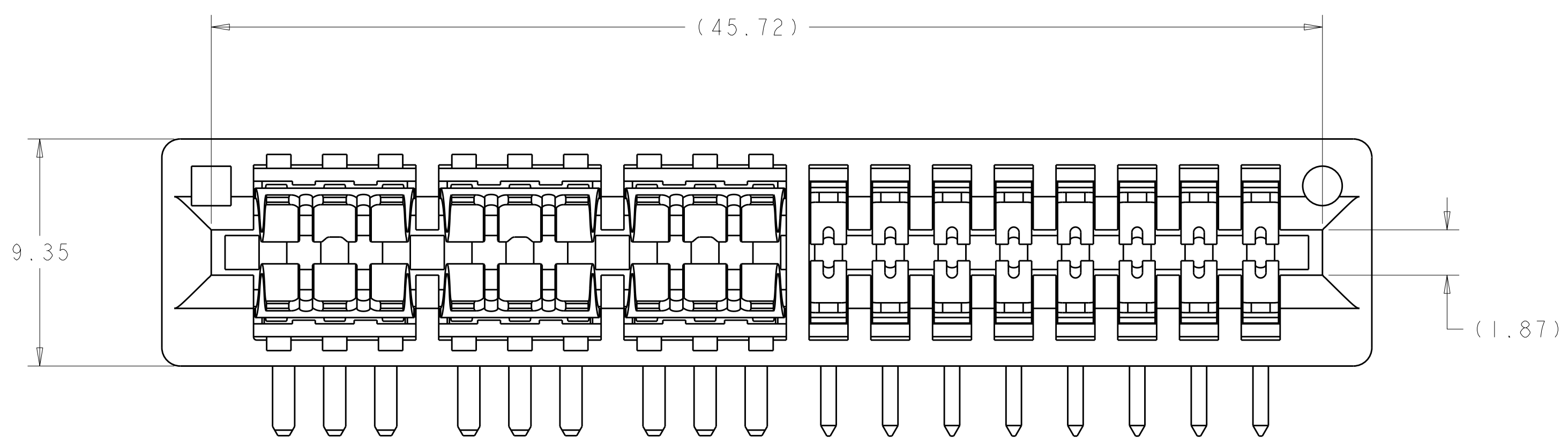
Address: A1208, Overseas Decoration Building, #122 Zhenhua RD., Futian, Shenzhen, China



LOC	DIST	REVISIONS			
P	LTB	DESCRIPTION	DATE	DWN	APVD
GP	00	A	RELEASED PER ECO-10-014866	21 JUL 2010	RG MS



ISOMETRIC FRONT VIEW



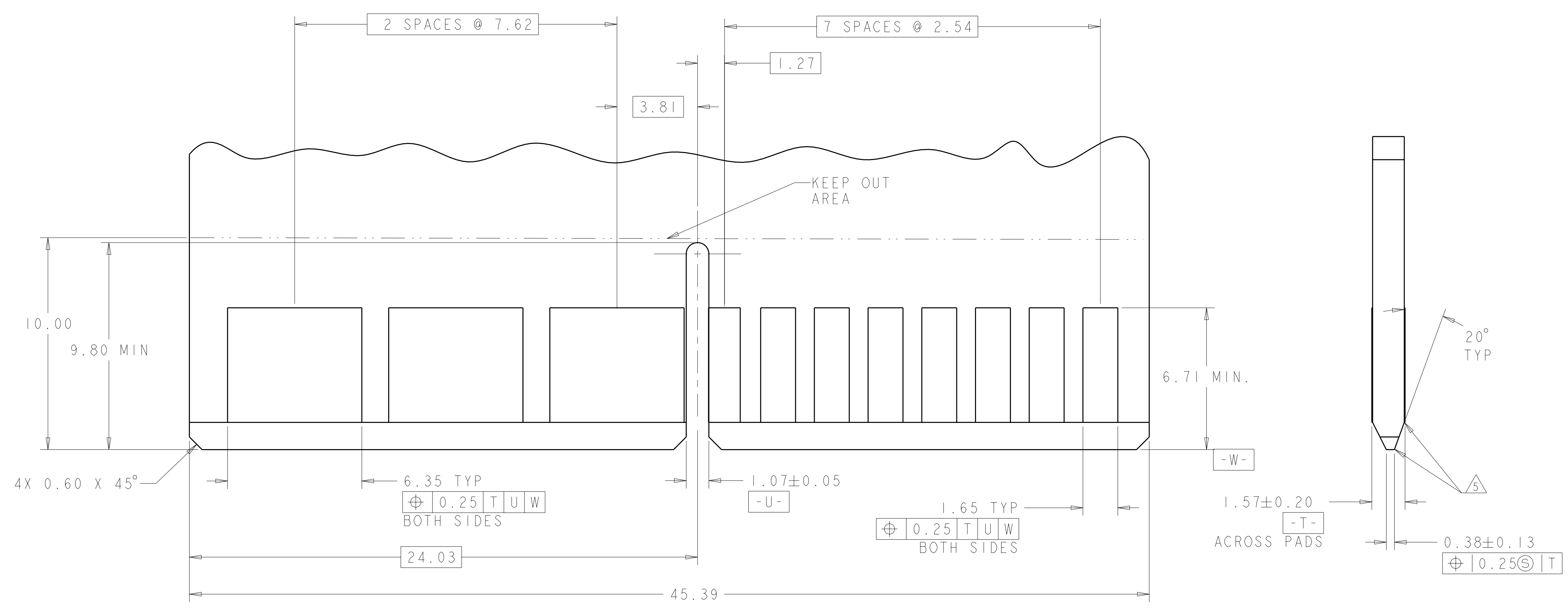
SECTION Z-Z

- △ MATERIAL:
 HOUSING - THERMOPLASTIC, GLASS REINFORCED,
 COLOR: BLACK, UL94V-0 FLAMMABILITY RATED.
 CONTACT - HIGH CONDUCTIVITY COPPER,
- △ FINISH:
 CONTACT - GOLD PLATE 0.76 μm MIN. THK., OVER NICKEL
 1.27 μm MIN. THK
 SOLDER TAILS - MATTE TIN 2.54 μm MIN. THK.
 OVER NICKEL 1.27 μm MIN THK.
- 3. NO BURRS AND/OR SHARP EDGES ARE PERMISSABLE.
- △ CONNECTOR ASSEMBLY MARKED WITH PART NUMBER
 AND DATE CODE IN THIS AREA, APPROX. AS SHOWN.
- △ DATUMS AND BASIC DIMENSIONS TO BE ESTABLISHED BY CUSTOMER.

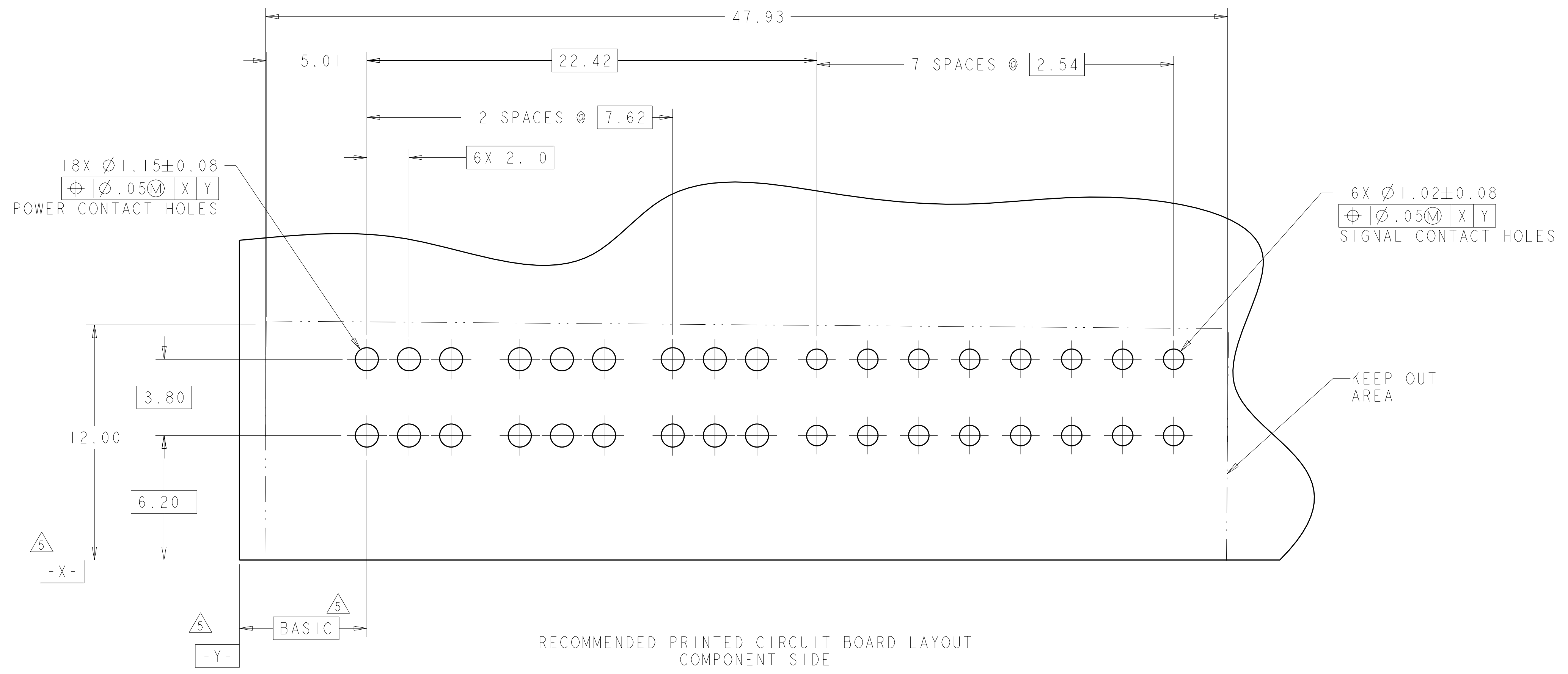
3P X 8S	2057372-1
DESCRIPTION	PART NUMBER

<small>THIS DRAWING IS UNPUBLISHED. RELEASED FOR PUBLICATION BY TYCO ELECTRONICS CORPORATION. ALL RIGHTS RESERVED.</small>		DWN D. LORD 31 JUL 2008 CHK G. PIETERS 15 SEP 2008 APVD A. CRANTUM 19 SEP 2008	Tyco Electronics Harrisburg, PA 17105-3608
DIMENSIONS: mm 	TOLERANCES UNLESS OTHERWISE SPECIFIED: 9 PLC ± 1 PLC ±0.25 5 PLC ± 4 PLC ± ANGLES ±°	NAME CONNECTOR ASSY, STANDARD EDGE 11 RIGHT ANGLE 9 POWER X 8 SIGNAL	RESTRICTED TO
MATERIAL	FINISH	PRODUCT SPEC 108-2022 APPLICATION SPEC 114-13018 WEIGHT CUSTOMER DRAWING	SCALE 1:1 SHEET 1 OF 2 REV A

LOC	DIST	REV	DATE	BY	APPD
GP	00				
REVISIONS			DESCRIPTION	DATE	DWN
			SEE SHEET 1		



RECOMMENDED MATING BOARD EDGE CONFIGURATION
 TYP. BOTH SIDES



RECOMMENDED PRINTED CIRCUIT BOARD LAYOUT
 COMPONENT SIDE

<small>THIS DRAWING IS UNPUBLISHED. RELEASED FOR PUBLICATION. IT IS SUBJECT TO CHANGE WITHOUT NOTICE. TOLERANCES UNLESS OTHERWISE SPECIFIED: DIMENSIONS SHALL BE CONTACTED FOR THE LATEST REVISION.</small>		DWN: D. LORD 31 JUL 2008 CHK: G. PEIERS 15 SEP 2008 APPD: A. FRANTUM 19 SEP 2008	Tyco Electronics Harrisburg, PA 17105-3608
DIMENSIONS: mm 	TOLERANCES UNLESS OTHERWISE SPECIFIED: 9 PLC ± 1 PLC ± 2 PLC ±0.25 3 PLC ± 4 PLC ± ANGLES ±°	NAME: CONNECTOR ASSY, STANDARD EDGE 11 RIGHT ANGLE 9 POWER X 8 SIGNAL PRODUCT SPEC: 108-2022 APPLICATION SPEC: 114-13018 WEIGHT: - CUSTOMER DRAWING	SIZE: A CAGE CODE: 1100779 DRAWING NO: C=2057372 RESTRICTED TO: - SCALE: 1:1 SHEET: 2 OF 2 REV: A