



Chipsmall Limited consists of a professional team with an average of over 10 year of expertise in the distribution of electronic components. Based in Hongkong, we have already established firm and mutual-benefit business relationships with customers from,Europe,America and south Asia,supplying obsolete and hard-to-find components to meet their specific needs.

With the principle of “Quality Parts,Customers Priority,Honest Operation,and Considerate Service”,our business mainly focus on the distribution of electronic components. Line cards we deal with include Microchip,ALPS,ROHM,Xilinx,Pulse,ON,Everlight and Freescale. Main products comprise IC,Modules,Potentiometer,IC Socket,Relay,Connector.Our parts cover such applications as commercial,industrial, and automotives areas.

We are looking forward to setting up business relationship with you and hope to provide you with the best service and solution. Let us make a better world for our industry!



Contact us

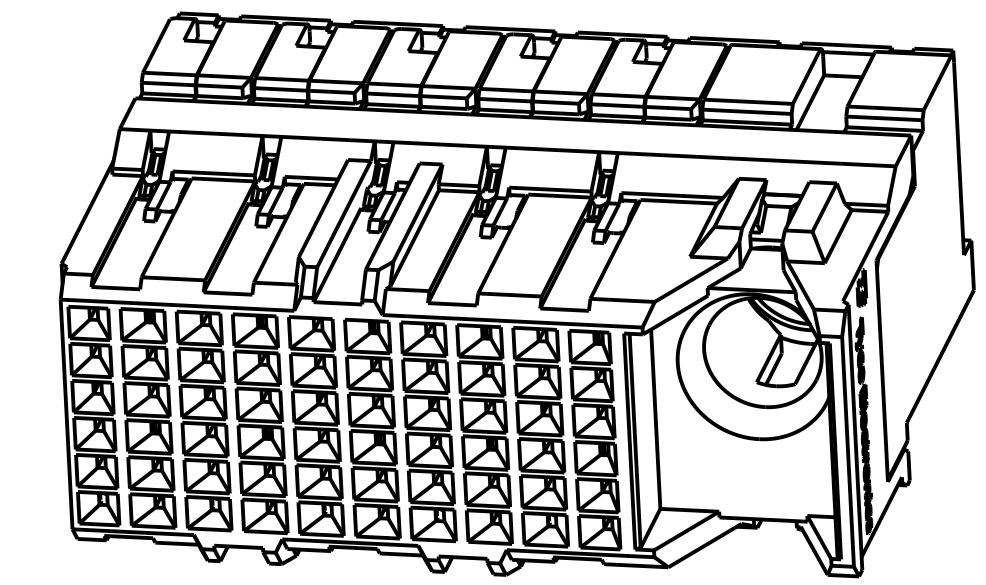
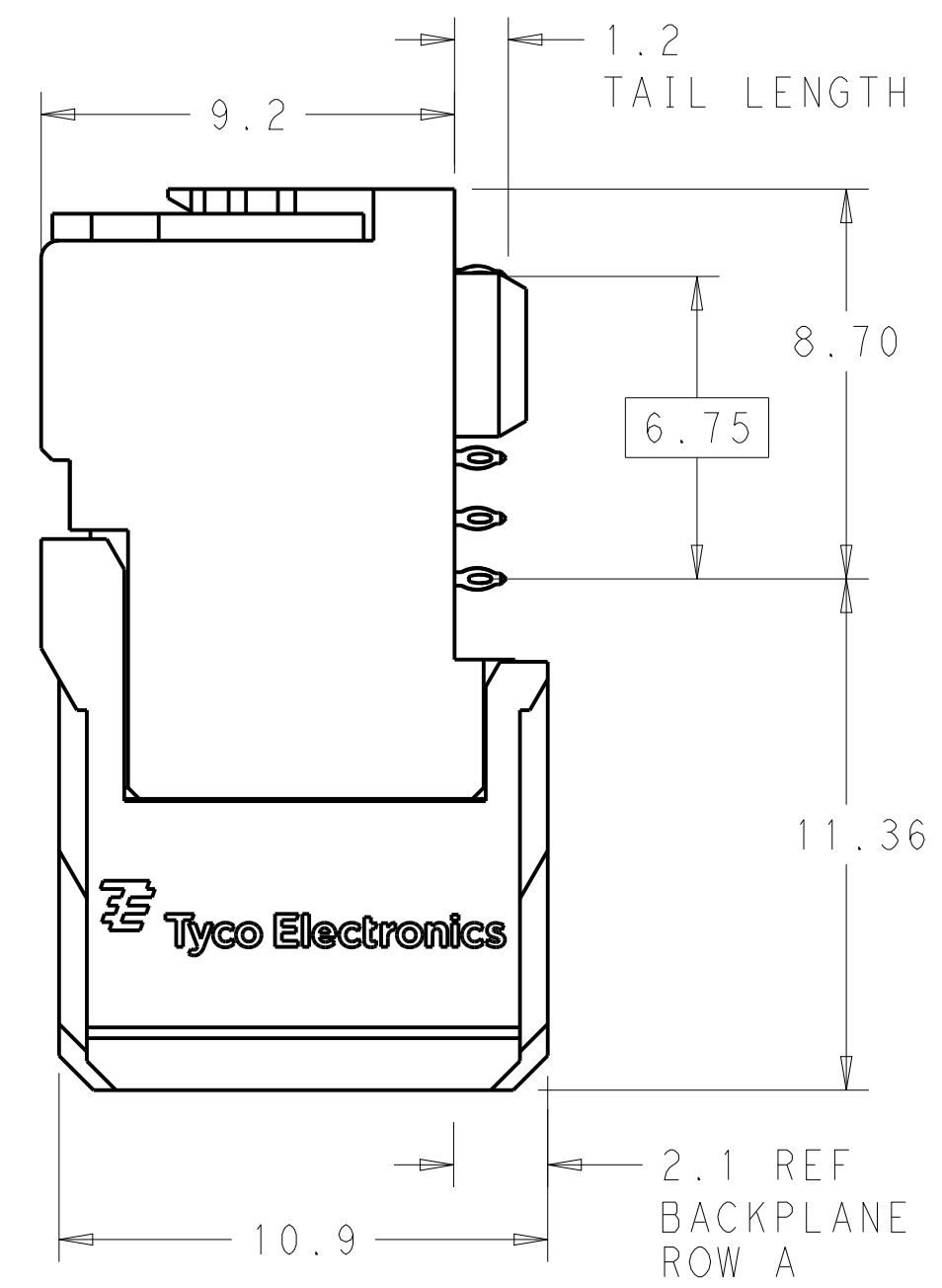
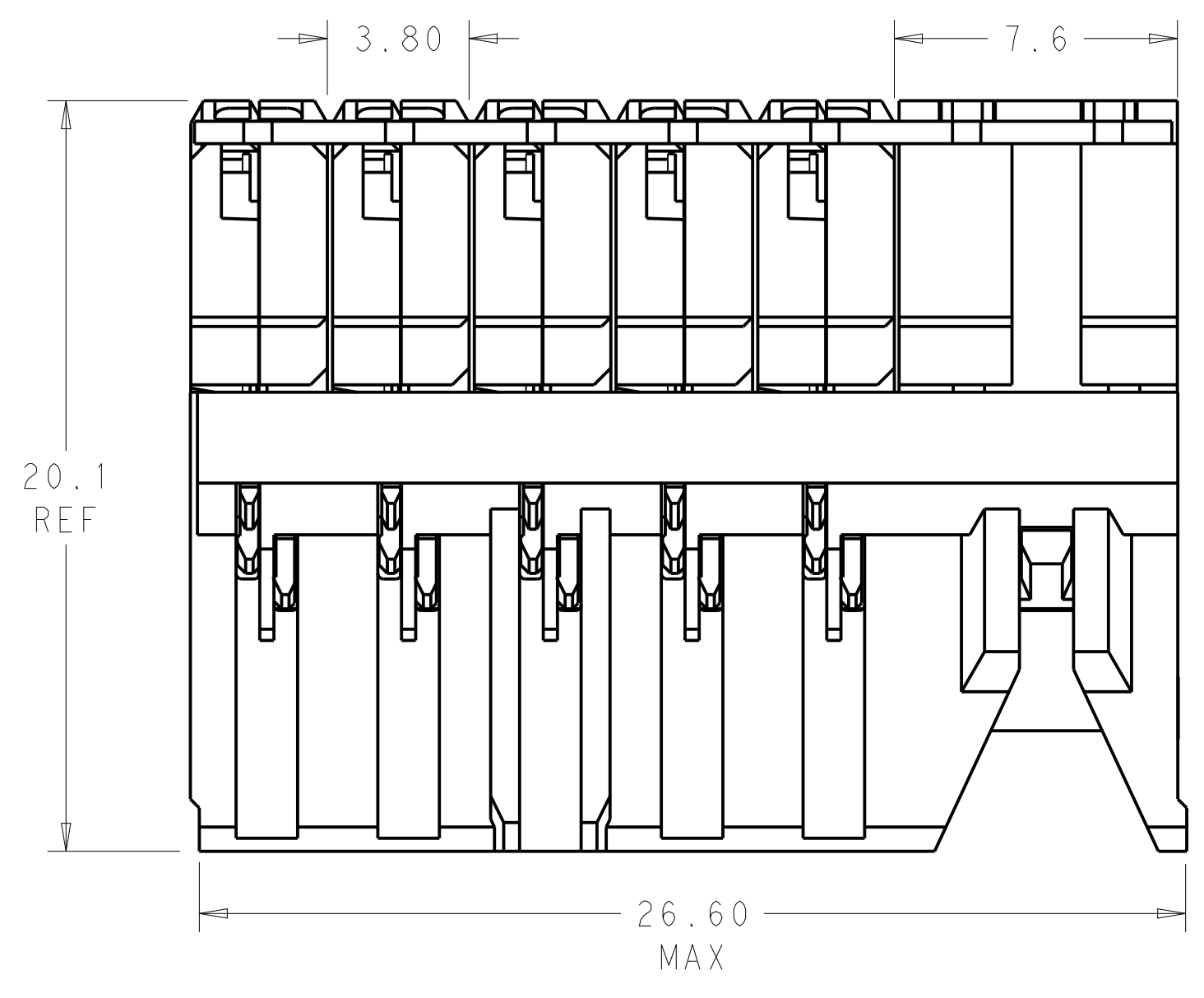
Tel: +86-755-8981 8866 Fax: +86-755-8427 6832

Email & Skype: info@chipsmall.com Web: www.chipsmall.com

Address: A1208, Overseas Decoration Building, #122 Zhenhua RD., Futian, Shenzhen, China

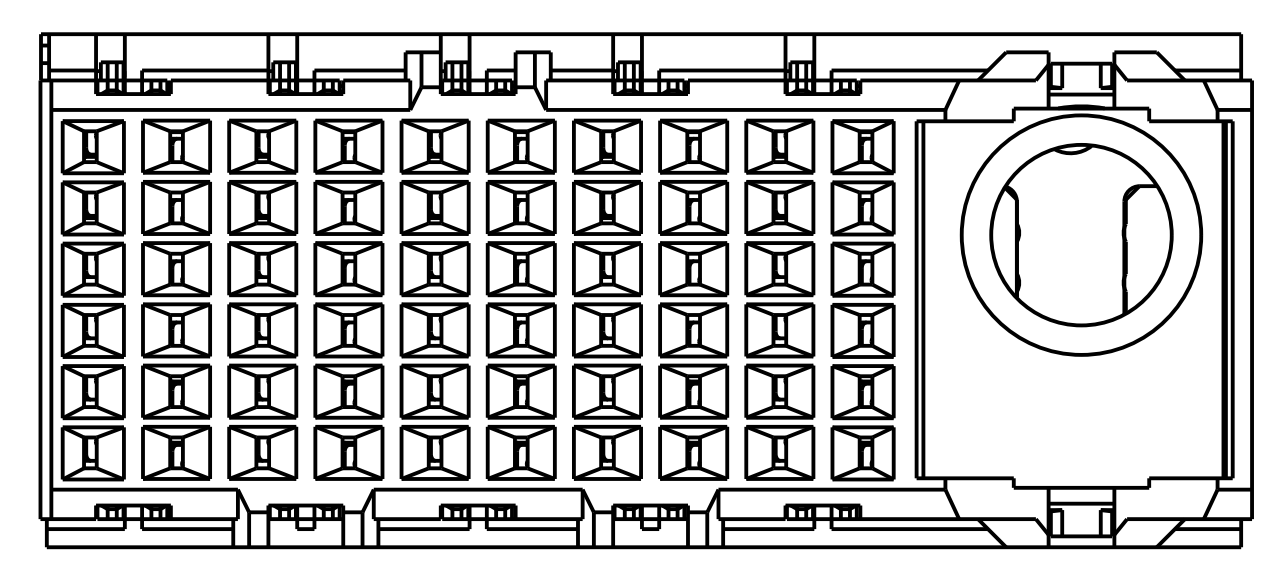


REVISIONS				
REV	LTN	DESCRIPTION	DATE	APVD
C1		REVISED PER ECO-14-017984	02DEC2014	AP DD

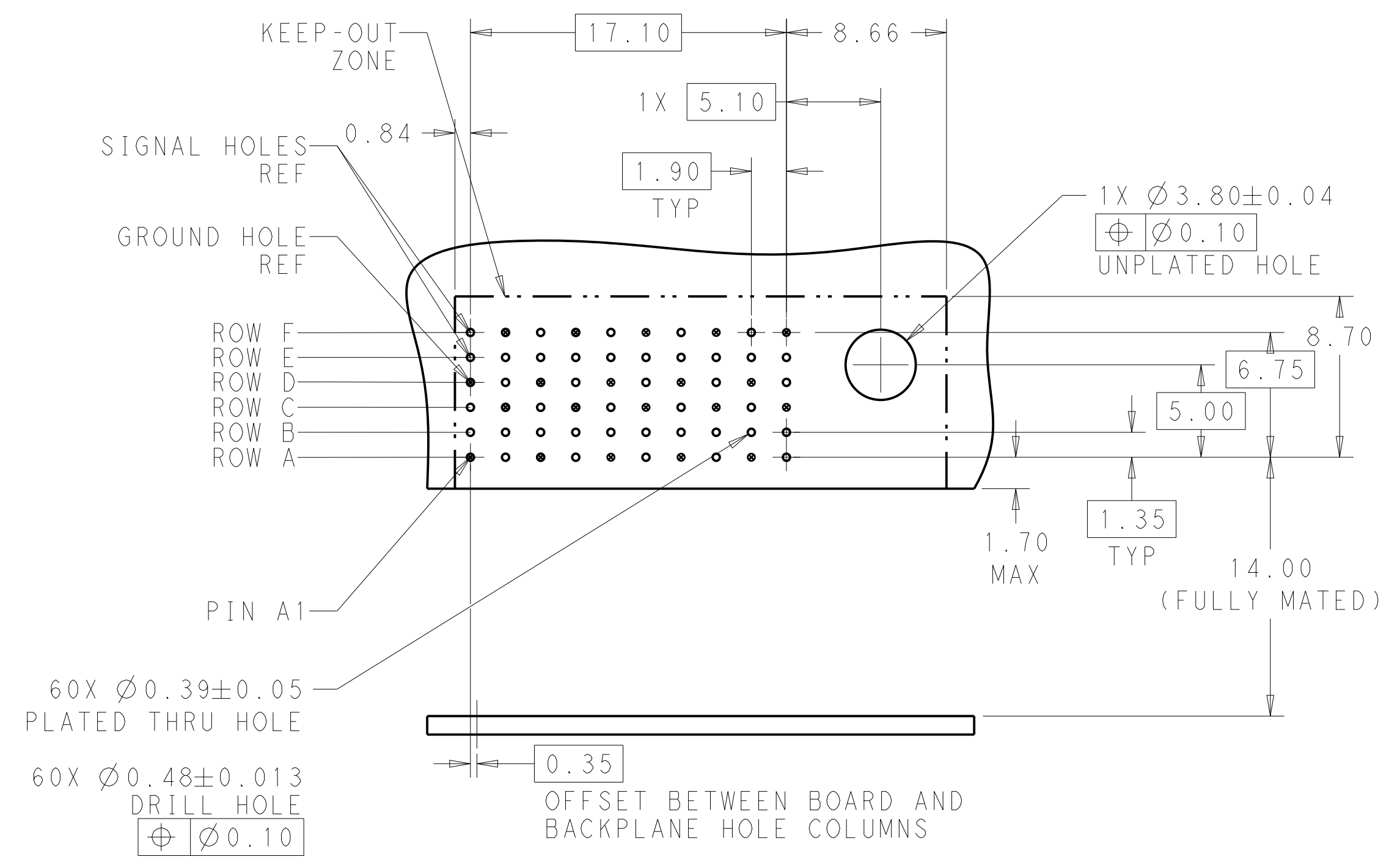


SCALE 4:1

- ⚠ MATERIAL:
HOUSING: LCP, GLASS FILLED, UL94V-0.
TERMINALS: HIGH PERFORMANCE COPPER ALLOY.
- ⚠ FINISH:
30μ" SELECTIVE GOLD IN CONTACT AREA. SELECTIVE TIN ON PCB TAILS, NICKEL OVERALL.
- 3. CONNECTORS SUPPLIED WITH MOUNTING SCREWS.



REFER TO WWW.TE.COM FOR PRODUCT AVAILABILITY



RECOMMENDED PCB LAYOUT
MIN BOARD THICKNESS 1.6

NONE	⚠	2057404-1
KEY POSITION	FINISH	PART NUMBER

THIS DRAWING IS A CONTROLLED DOCUMENT.		OWN: Z. MILLER 19AUG2010	TE Connectivity	
DIMENSIONS: mm		CHK: D. DIXON 19AUG2010	NAME: IMPACT, STD, R/A, 2 PAIR, 10 COLUMN DAUGHTERCARD, RIGHT GUIDED SIGNAL MODULE, 0.39 EYELET	
TOLERANCES UNLESS OTHERWISE SPECIFIED:		APVD: D. DIXON 19AUG2010	PRODUCT SPEC	
0 PLC ±0.2		APPLICATION SPEC		
1 PLC ±0.10		SIZE: CAGE CODE DRAWING NO		
2 PLC ±		RESTRICTED TO		
3 PLC ±		WEIGHT		
4 PLC ±		A100779C=2057404		
ANGLES ±		Customer Drawing		
FINISH: SEE TABLE		SCALE 6:1 SHEET 1 OF 1 REV C1		