



Chipsmall Limited consists of a professional team with an average of over 10 year of expertise in the distribution of electronic components. Based in Hongkong, we have already established firm and mutual-benefit business relationships with customers from,Europe,America and south Asia,supplying obsolete and hard-to-find components to meet their specific needs.

With the principle of “Quality Parts,Customers Priority,Honest Operation,and Considerate Service”,our business mainly focus on the distribution of electronic components. Line cards we deal with include Microchip,ALPS,ROHM,Xilinx,Pulse,ON,Everlight and Freescale. Main products comprise IC,Modules,Potentiometer,IC Socket,Relay,Connector.Our parts cover such applications as commercial,industrial, and automotives areas.

We are looking forward to setting up business relationship with you and hope to provide you with the best service and solution. Let us make a better world for our industry!



Contact us

Tel: +86-755-8981 8866 Fax: +86-755-8427 6832

Email & Skype: info@chipsmall.com Web: www.chipsmall.com

Address: A1208, Overseas Decoration Building, #122 Zhenhua RD., Futian, Shenzhen, China

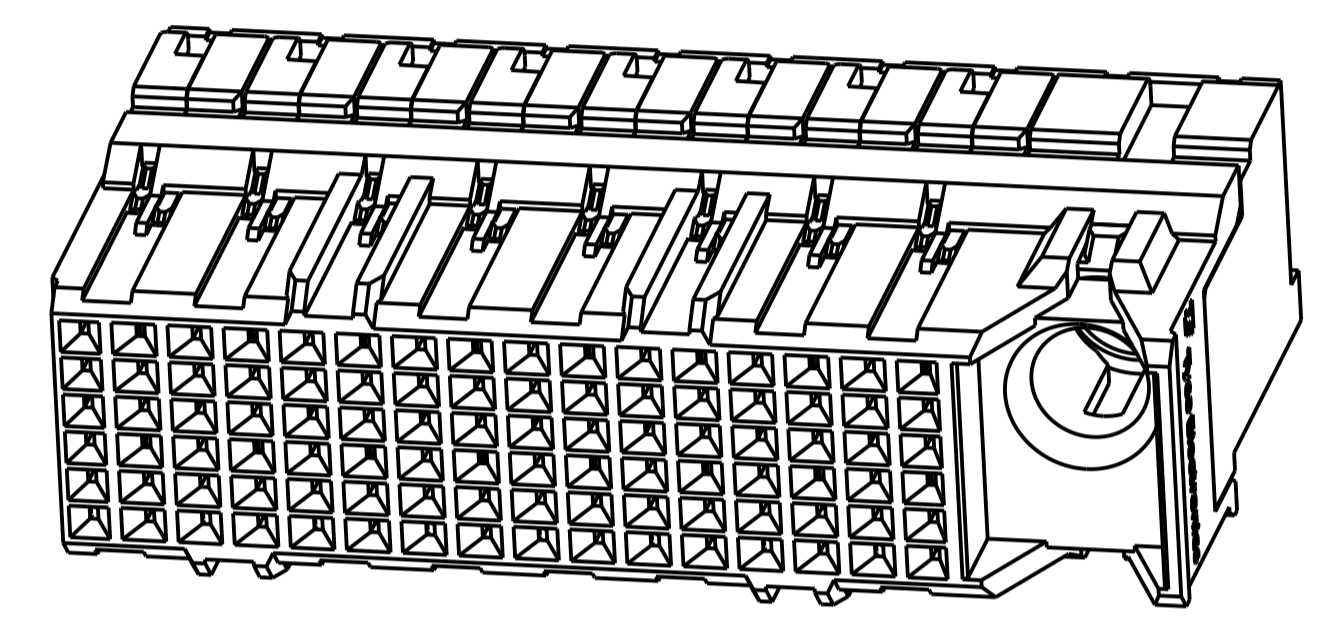
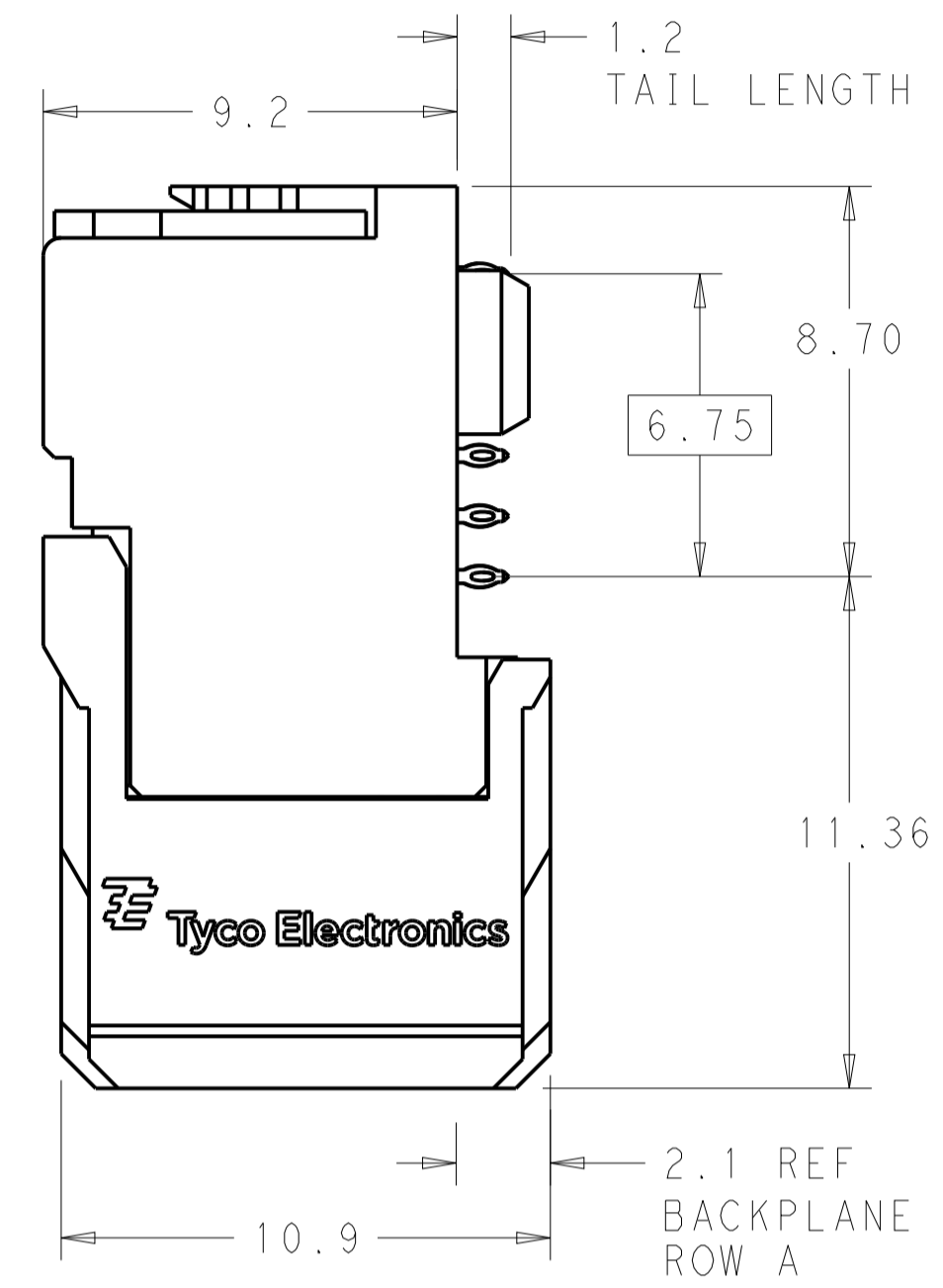
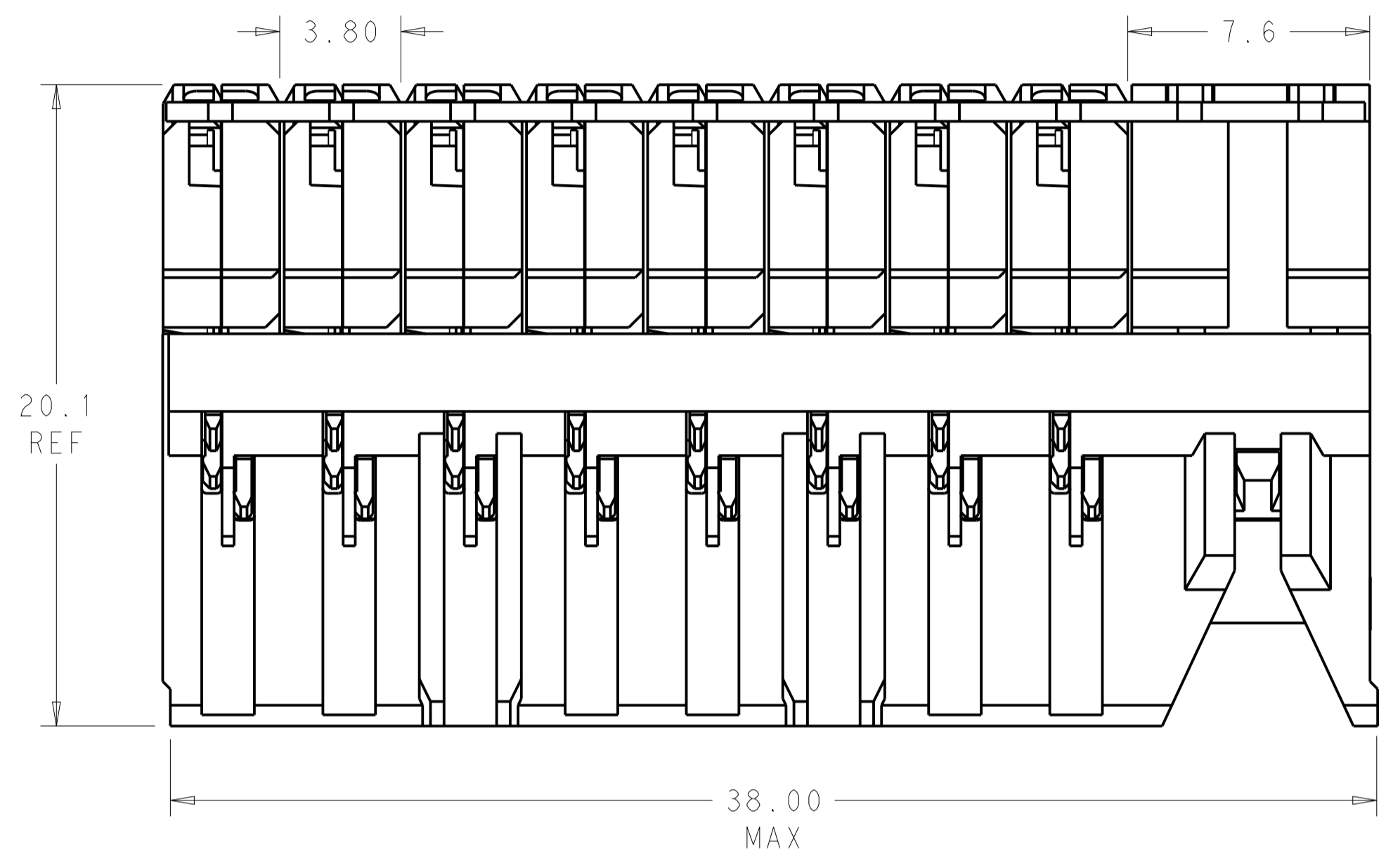


REVISIONS					
P.	LTN	DESCRIPTION	DATE	DMN	APVD
C2		REVISED PER ECO-14-017984	02DEC2014	AP	DD

⚠ MATERIAL:
 HOUSING: LCP, GLASS FILLED, UL94V-0.
 TERMINALS: HIGH PERFORMANCE COPPER ALLOY.

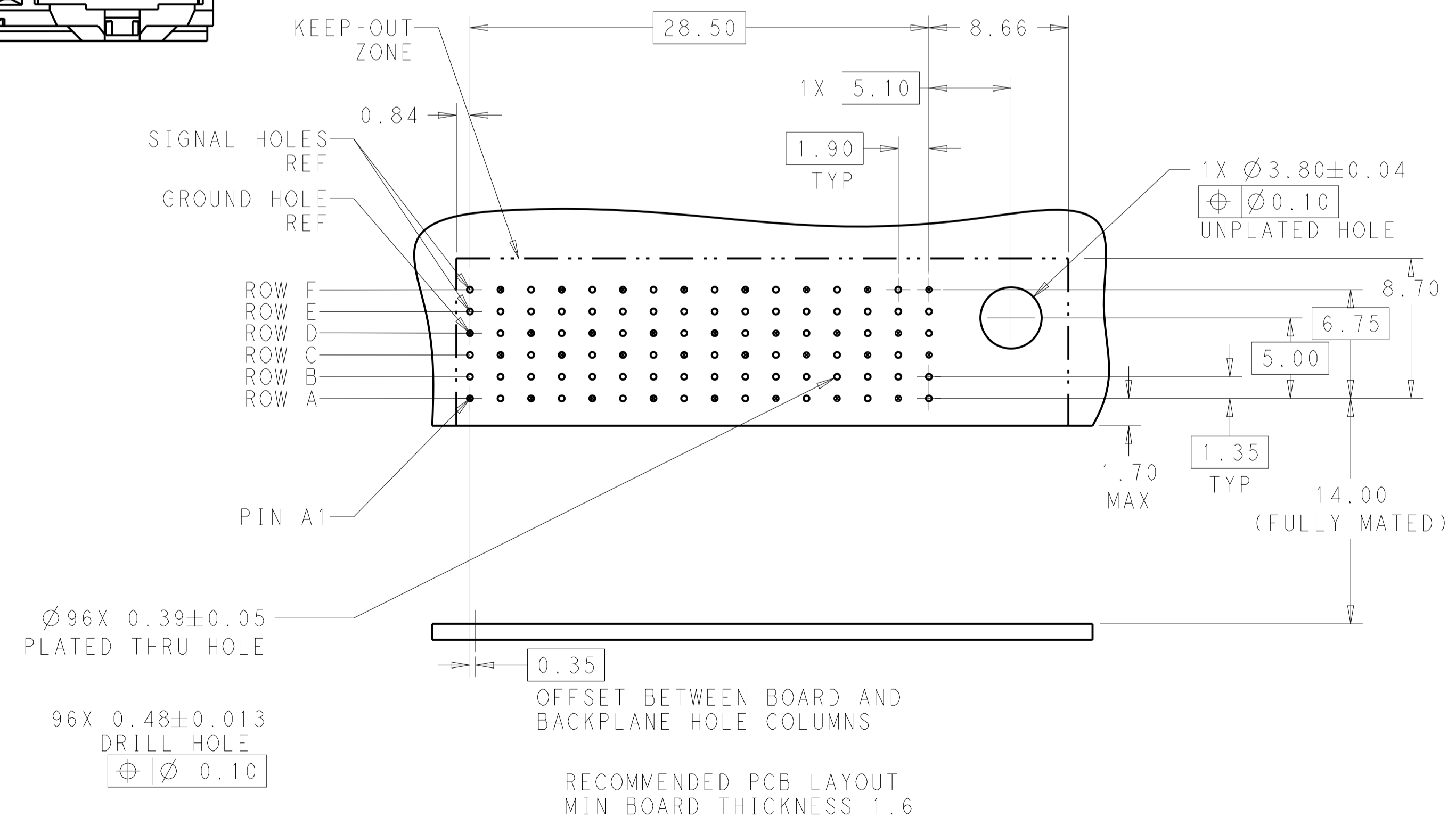
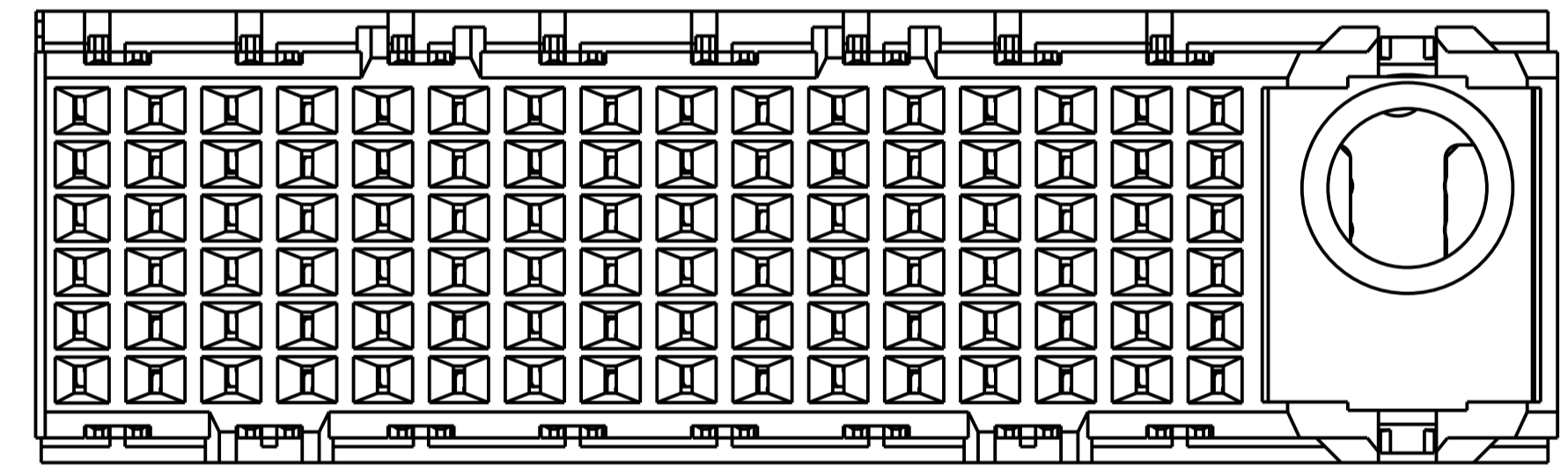
⚠ FINISH:
 30μ" SELECTIVE GOLD IN CONTACT AREA. SELECTIVE TIN
 ON PCB TAILS, NICKEL OVERALL.

3. CONNECTORS SUPPLIED WITH MOUNTING SCREW.



SCALE 4:1

REFER TO WWW.TE.COM
 FOR PRODUCT AVAILABILITY



NONE	⚠	2057410-1
KEY POSITION	FINISH	PART NUMBER
THIS DRAWING IS A CONTROLLED DOCUMENT. DMN 19AUG2010 Z. MILLER 19AUG2010 DIMENSIONS: mm TOLERANCES UNLESS OTHERWISE SPECIFIED: 0 PLC ±0.2 1 PLC ±0.10 2 PLC ±0.10 3 PLC ±0.10 4 PLC ±0.10 ANGLES ±0.5 MATERIAL FINISH SEE TABLE WEIGHT - CUSTOMER DRAWING		
NAME: IMPACT, STD, R/A, 2 PAIR, 16 COLUMN, DAUGHTERCARD, RIGHT GUIDED SIGNAL MODULE, 0.39 EYELET PRODUCT SPEC APPLICATION SPEC SIZE: A100779 CAGE CODE: 2057410 SCALE: 6:1 SHEET 1 OF 1 REV: C2		