



Chipsmall Limited consists of a professional team with an average of over 10 year of expertise in the distribution of electronic components. Based in Hongkong, we have already established firm and mutual-benefit business relationships with customers from,Europe,America and south Asia,supplying obsolete and hard-to-find components to meet their specific needs.

With the principle of "Quality Parts,Customers Priority,Honest Operation,and Considerate Service",our business mainly focus on the distribution of electronic components. Line cards we deal with include Microchip,ALPS,ROHM,Xilinx,Pulse,ON,Everlight and Freescale. Main products comprise IC,Modules,Potentiometer,IC Socket,Relay,Connector.Our parts cover such applications as commercial,industrial, and automotives areas.

We are looking forward to setting up business relationship with you and hope to provide you with the best service and solution. Let us make a better world for our industry!



## Contact us

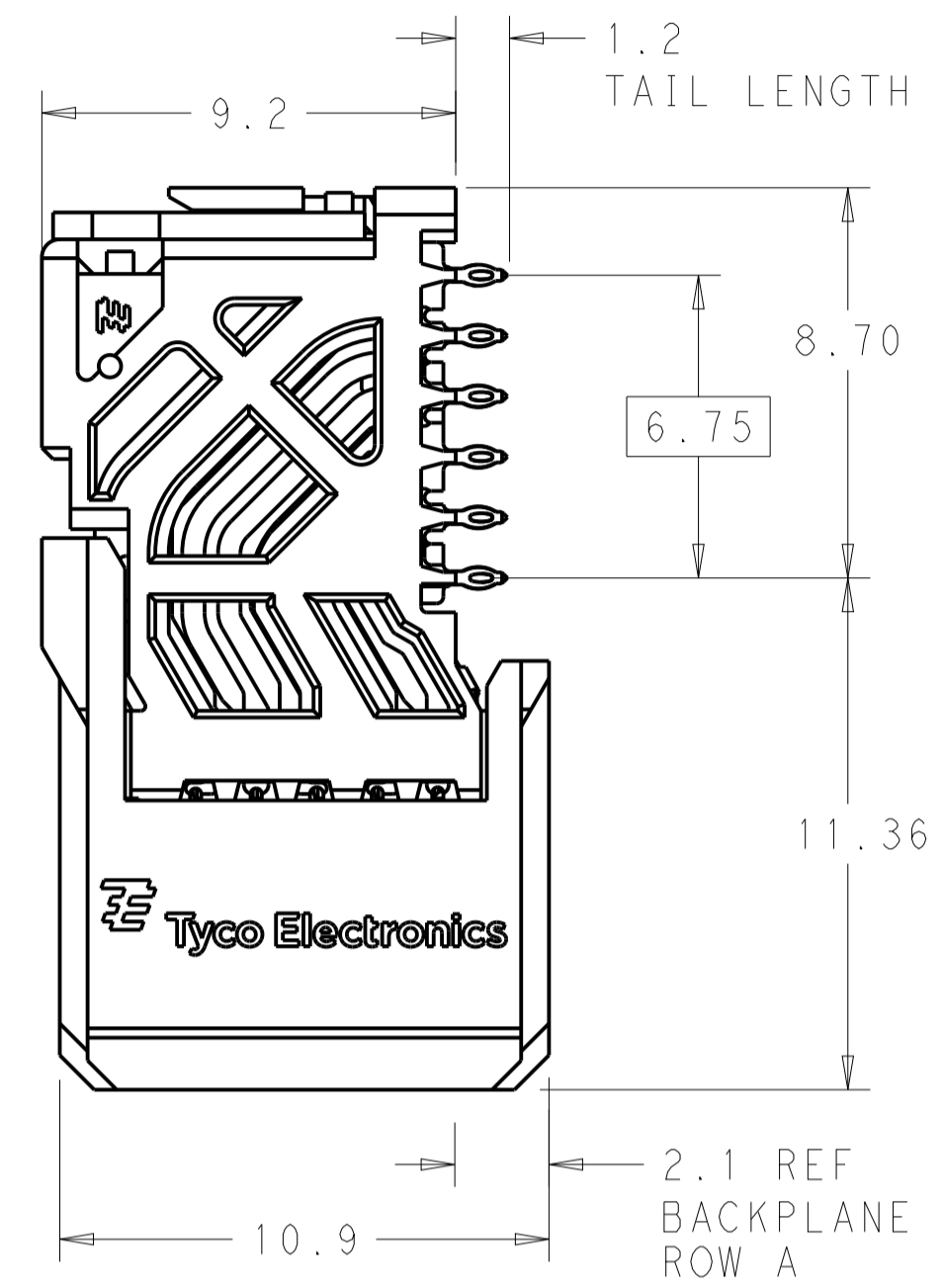
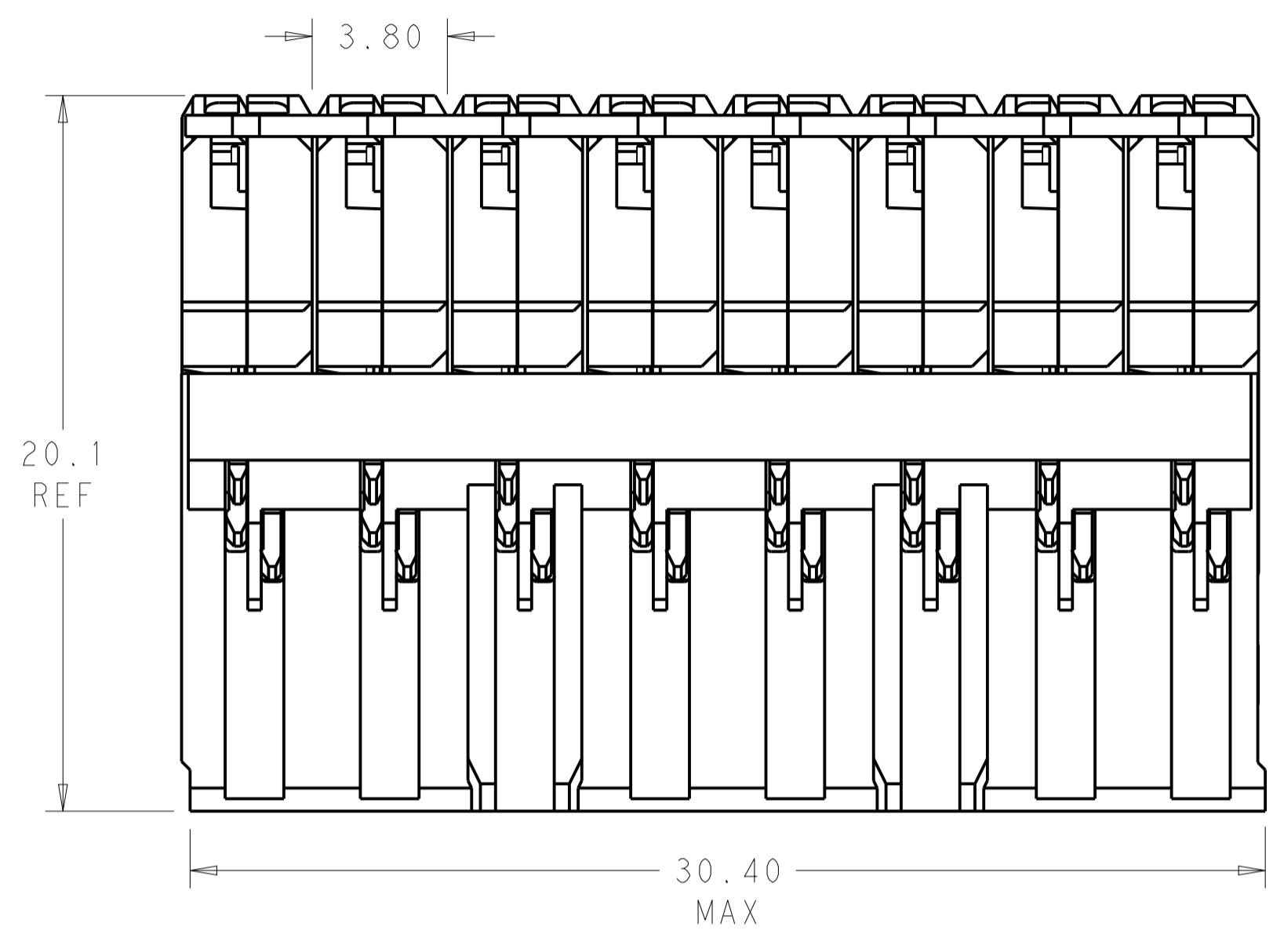
Tel: +86-755-8981 8866 Fax: +86-755-8427 6832

Email & Skype: info@chipsmall.com Web: www.chipsmall.com

Address: A1208, Overseas Decoration Building, #122 Zhenhua RD., Futian, Shenzhen, China

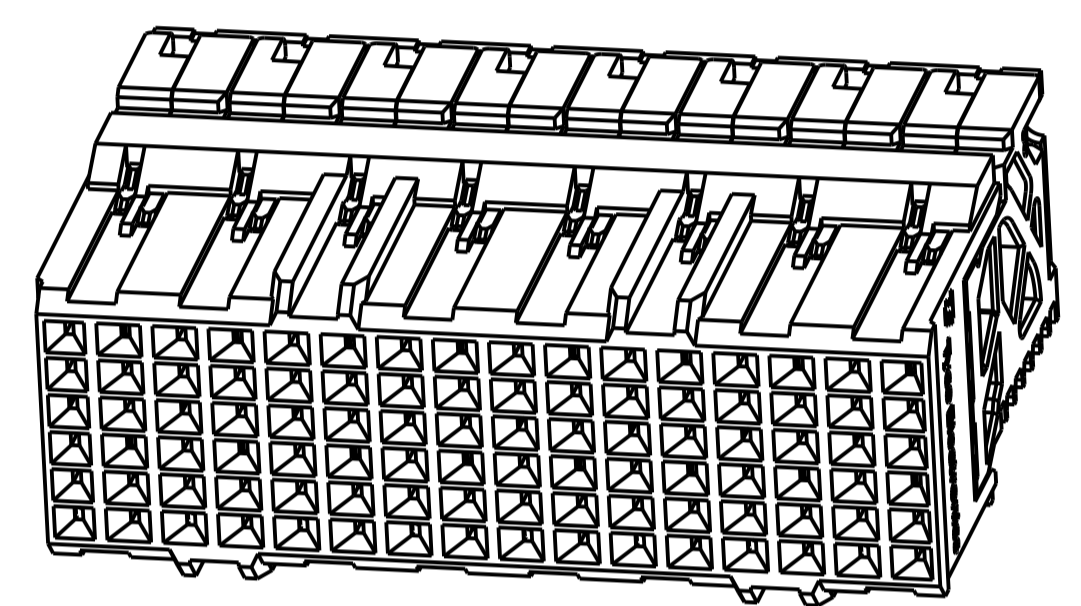


REVISIONS				
P.	LTN	DESCRIPTION	DATE	APVD
C1		REVISED PER ECO-14-017984	02DEC2014	AP DD

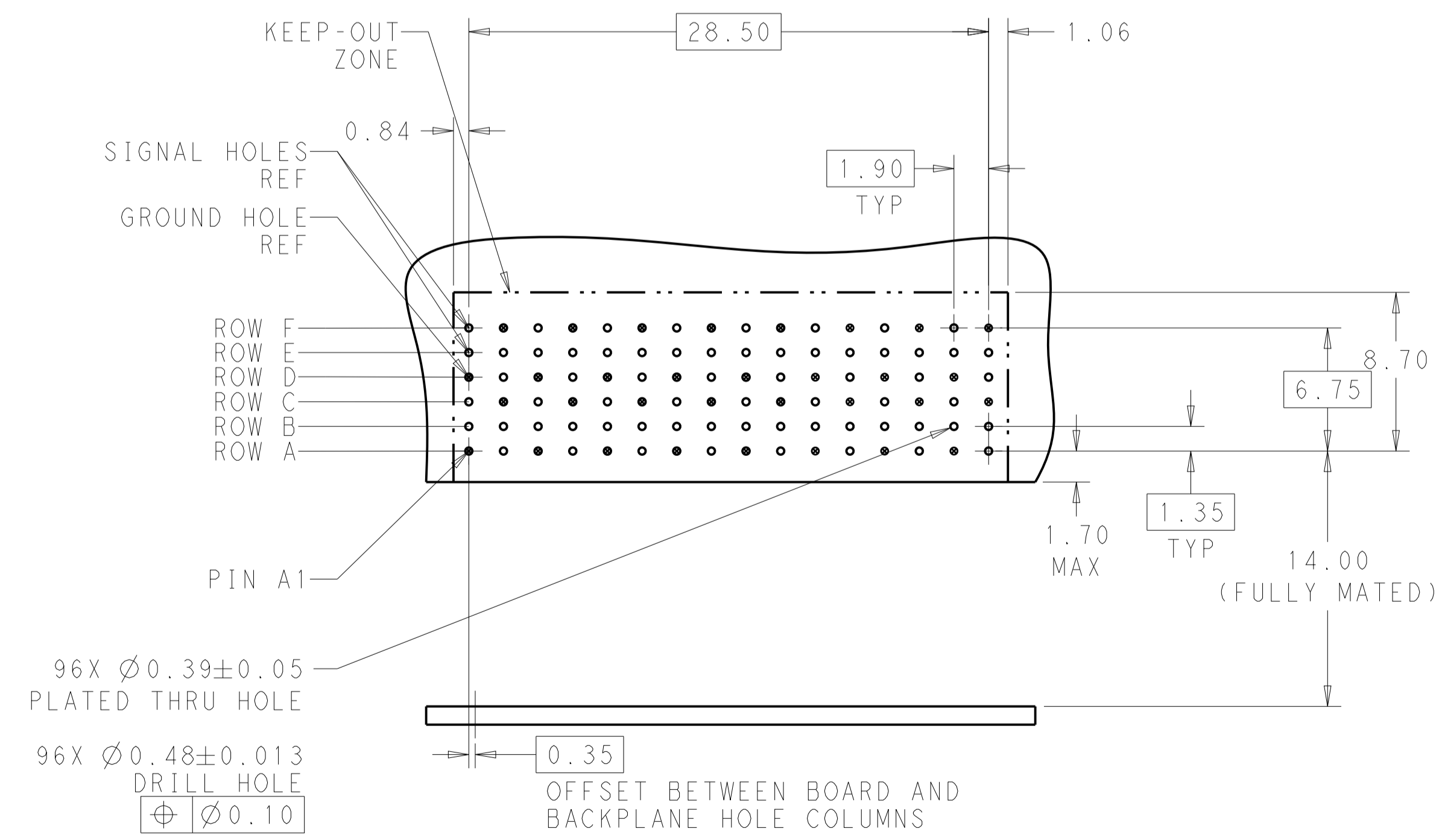
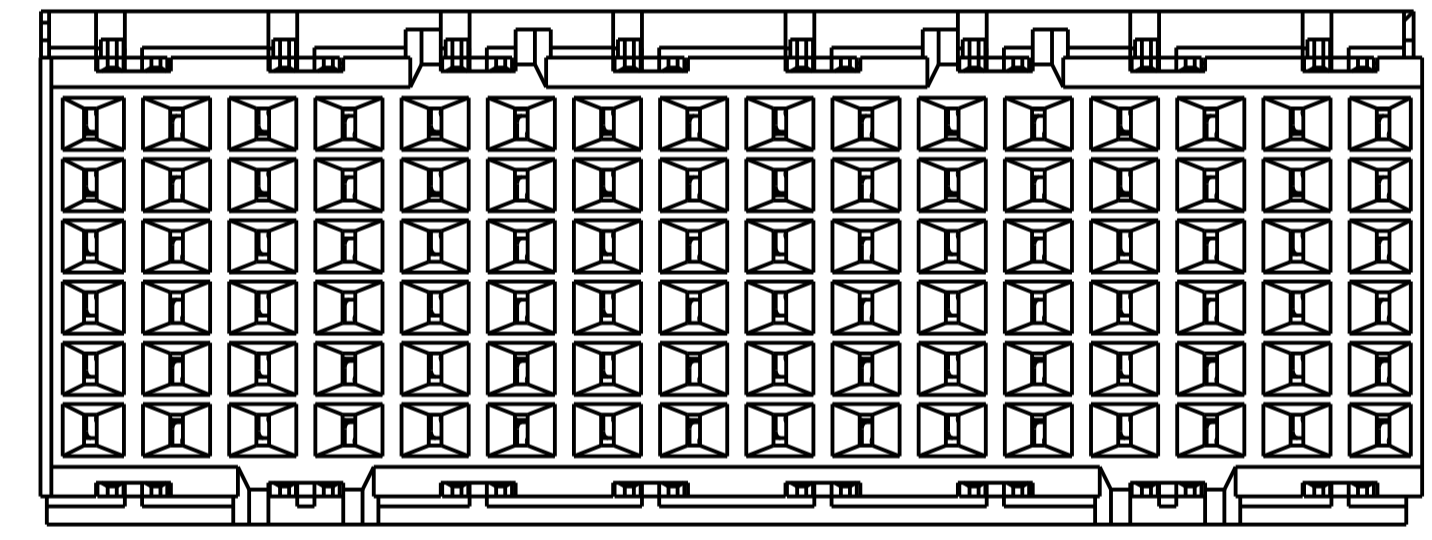


⚠ MATERIAL:  
HOUSING: LCP, GLASS FILLED, UL94V-0.  
TERMINALS: HIGH PERFORMANCE COPPER ALLOY.

⚠ FINISH:  
30μ" SELECTIVE GOLD IN CONTACT AREA. SELECTIVE TIN ON PCB TAILS, NICKEL OVERALL.



SCALE 4:1



RECOMMENDED PCB LAYOUT  
MIN BOARD THICKNESS 1.6

NONE	⚠	2057411-1
KEY POSITION	FINISH	PART NUMBER

THIS DRAWING IS A CONTROLLED DOCUMENT.		OWN Z. MILLER 19AUG2010	NAME IMPACT, STD, R/A, 2 PAIR, 16 COLUMN, DAUGHTERCARD, UNGUIDED SIGNAL MODULE, 0.39 EYELET	
DIMENSIONS:		CHK D. DIXON 19AUG2010	PRODUCT SPEC	
TOLERANCES UNLESS OTHERWISE SPECIFIED:		APVD D. DIXON 19AUG2010	APPLICATION SPEC	
mm	0 PLC ±	SIZE   CAGE CODE   DRAWING NO		
	1 PLC ±0.2	RESTRICTED TO		
	2 PLC ±0.10	A100779C=2057411		
	3 PLC ±	SCALE 6:1 SHEET 1 OF 1 REV C1		
	4 PLC ±	Customer Drawing		
MATERIAL		WEIGHT		
SEE TABLE		Customer Drawing		