



Chipsmall Limited consists of a professional team with an average of over 10 year of expertise in the distribution of electronic components. Based in Hongkong, we have already established firm and mutual-benefit business relationships with customers from,Europe,America and south Asia,supplying obsolete and hard-to-find components to meet their specific needs.

With the principle of "Quality Parts,Customers Priority,Honest Operation,and Considerate Service",our business mainly focus on the distribution of electronic components. Line cards we deal with include Microchip,ALPS,ROHM,Xilinx,Pulse,ON,Everlight and Freescale. Main products comprise IC,Modules,Potentiometer,IC Socket,Relay,Connector.Our parts cover such applications as commercial,industrial, and automotives areas.

We are looking forward to setting up business relationship with you and hope to provide you with the best service and solution. Let us make a better world for our industry!



Contact us

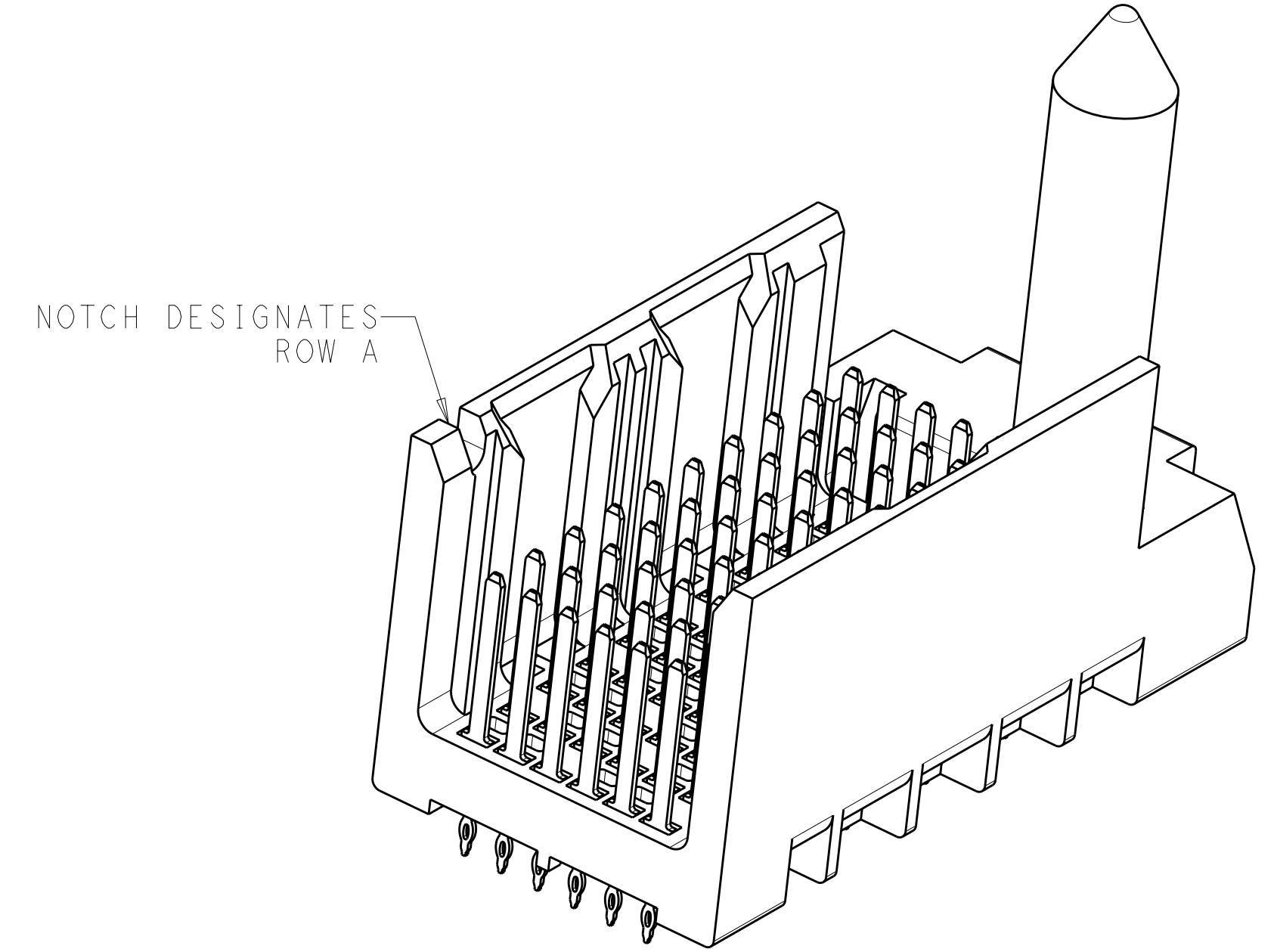
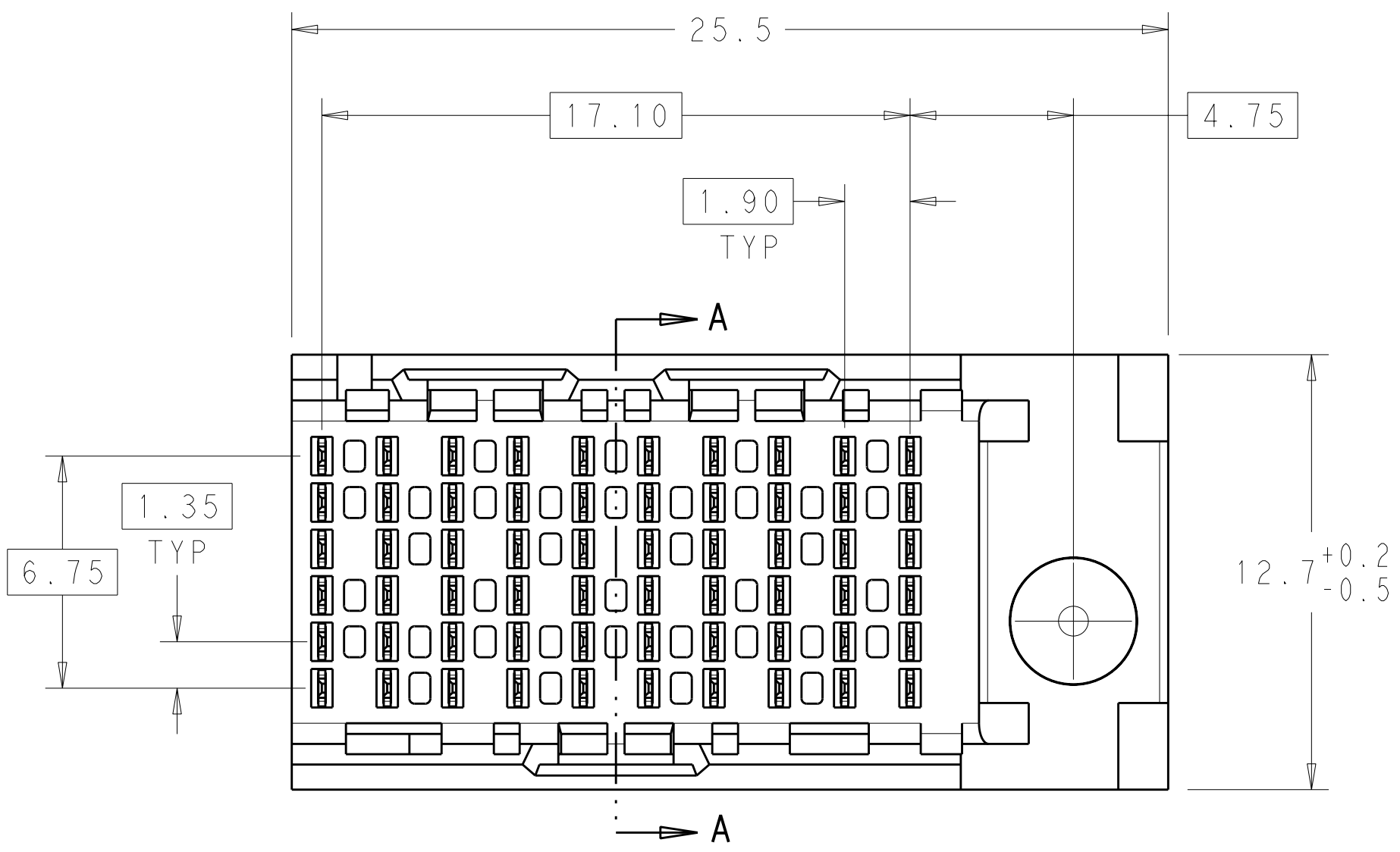
Tel: +86-755-8981 8866 Fax: +86-755-8427 6832

Email & Skype: info@chipsmall.com Web: www.chipsmall.com

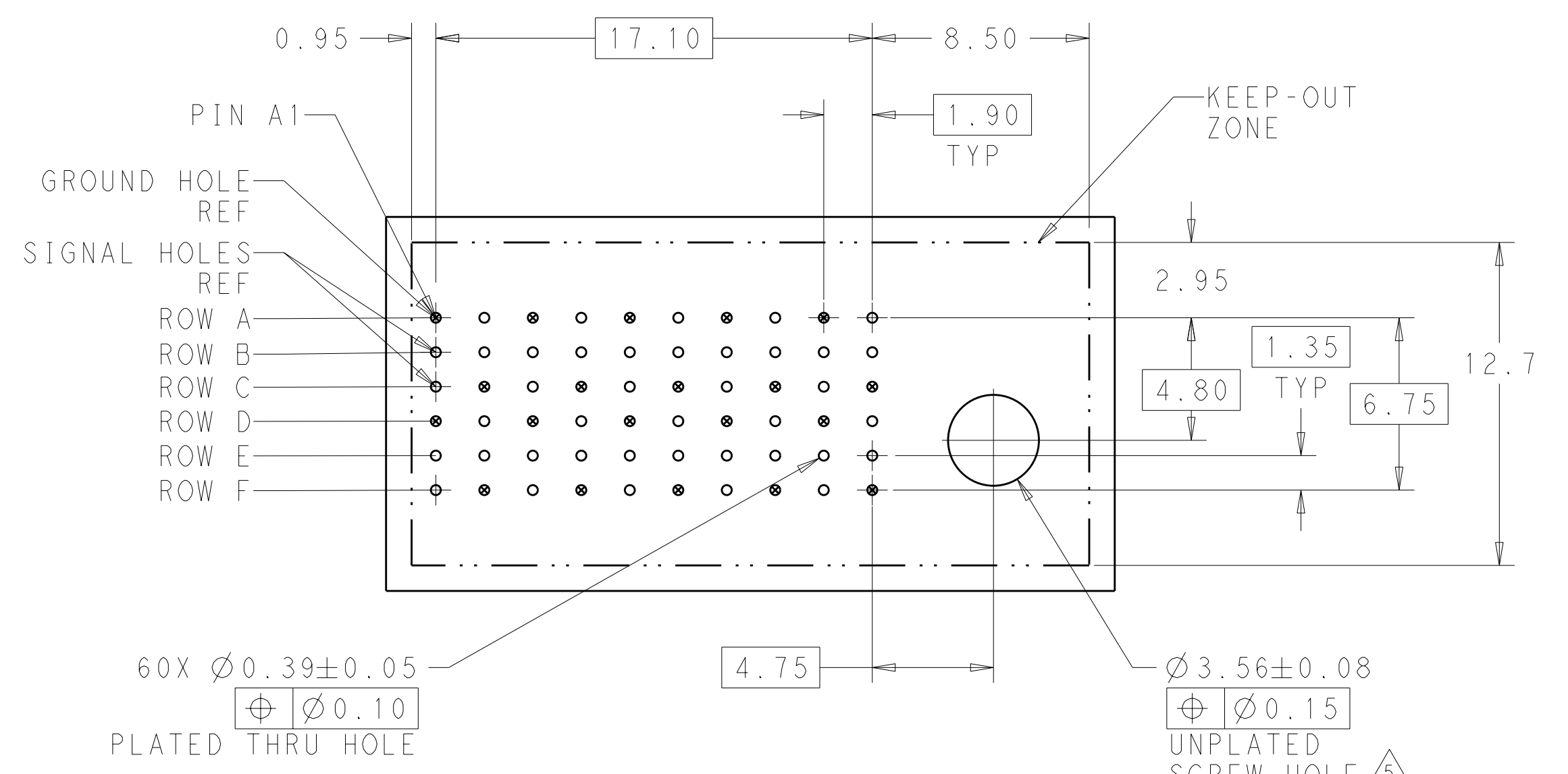
Address: A1208, Overseas Decoration Building, #122 Zhenhua RD., Futian, Shenzhen, China



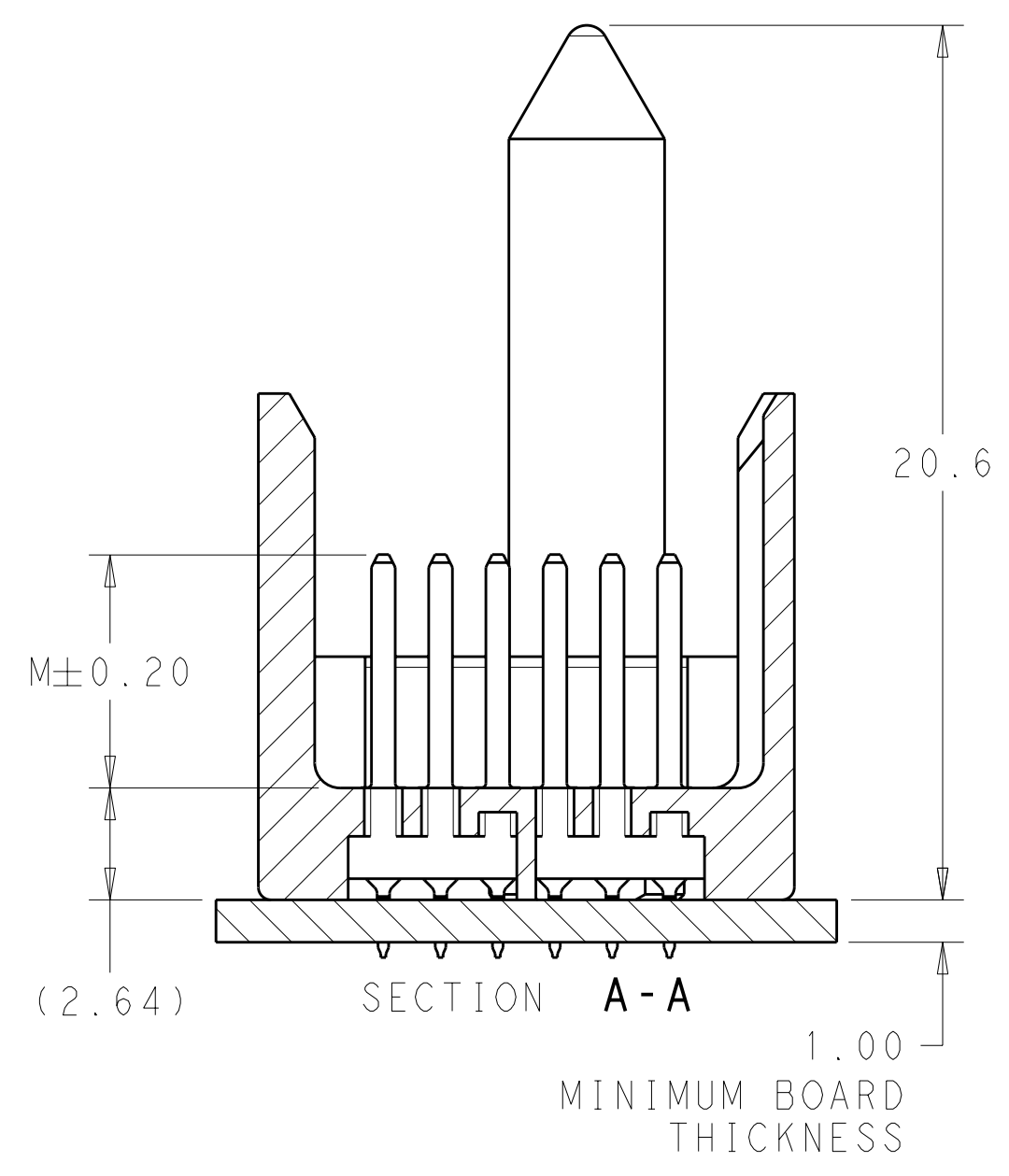
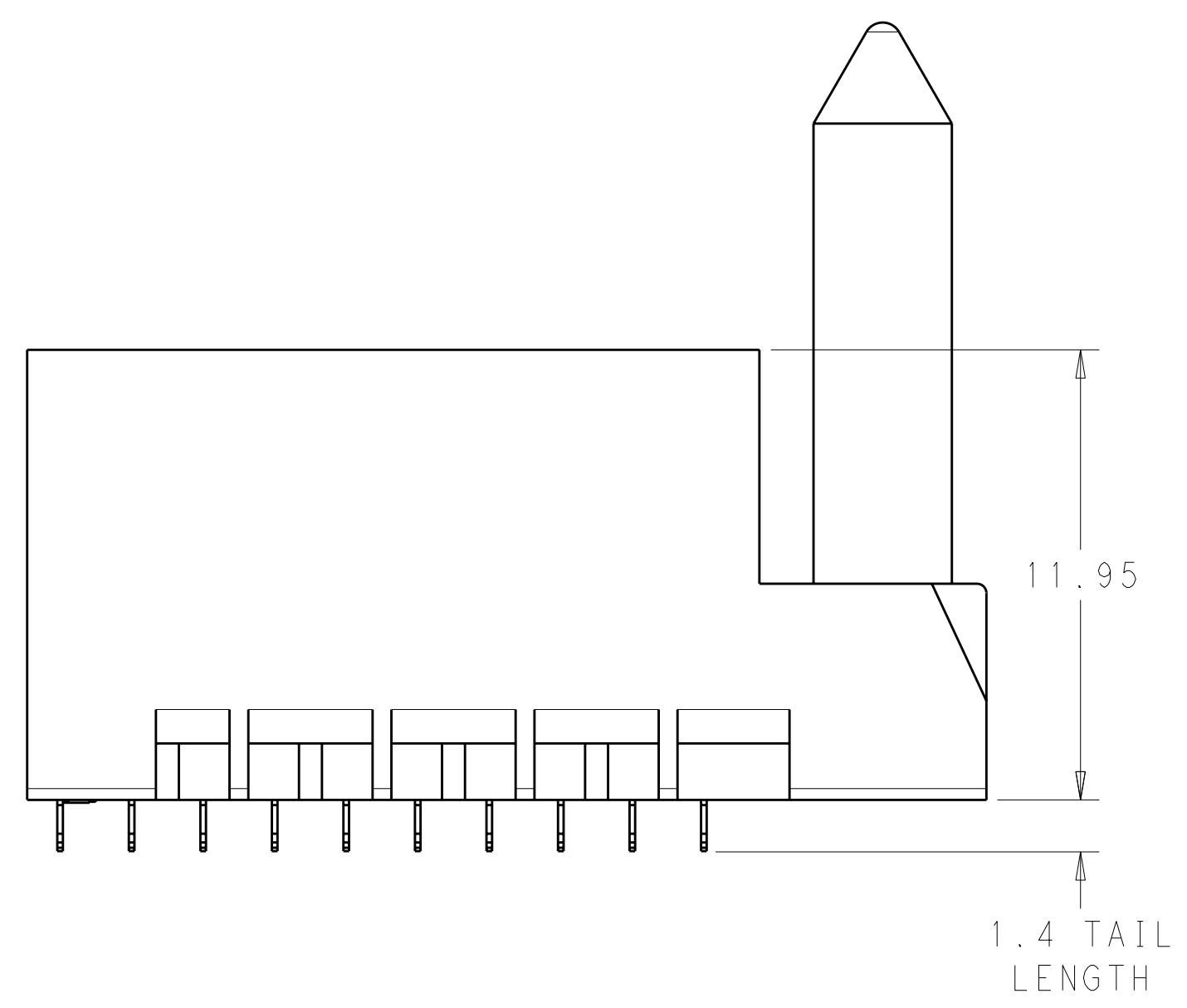
LOC	DIST	REV	DATE	BY	CHK	APPD
AD	00	B	04JAN11	KH	DY	
REVISIONS			DESCRIPTION	DATE	DWN	APVD
			REVISED PER ECO-11-025276			



- 1 MATERIAL:
HOUSING: LCP, GLASS FILLED, UL94V-0.
TERMINALS: HIGH PERFORMANCE COPPER ALLOY.
- 2 FINISH:
30μ" MIN GOLD IN CONTACT AREA. SELECTIVE TIN ON PCB TAILS, NICKEL OVERALL.
- 3 FINISH:
30μ" MIN GOLD IN CONTACT AREA. SELECTIVE TIN-LEAD ON PCB TAILS, NICKEL OVERALL.
- 4. SCREWS PACKAGED IN END OF PACKAGING TUBE.
- 5 FOR GROUNDED GUIDE PIN USE Ø3.56±0.08 PTH, Ø3.66 DRILL, AND Ø6.5 PAD.



RIGHT GUIDED BACKPLANE HOLE PATTERN (CONNECTOR SIDE)




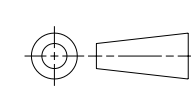
THIS DRAWING IS A CONTROLLED DOCUMENT.		DWN J. K. SHOBER 31JAN2011	TE Connectivity
DIMENSIONS: mm		CHK J. EARY 31JAN2011	
TOLERANCES UNLESS OTHERWISE SPECIFIED:		APVD J. EARY 31JAN2011	
9 PLC ± 1 PLC ±0.25 3 PLC ±0.13 5 PLC ± 4 PLC ± ANGLES ± FINISH SEE TABLE		NAME IMPACT, 2 PAIR, 10 COLUMN, HEADER RIGHT GUIDED, OPEN END WALL SIGNAL MODULE, 0.39 PTH SIZE CAGE CODE DRAWING NO. RESTRICTED TO A100779C=2057423 WEIGHT - CUSTOMER DRAWING SCALE 6:1 SHEET 1 OF 2 REV B	

THIS DRAWING IS UNPUBLISHED. RELEASED FOR PUBLICATION 20
 © COPYRIGHT 20 . . . ALL RIGHTS RESERVED.

LOC	DIST	REVISIONS					
AD	00	P	LTB	DESCRIPTION	DATE	DWN	APVD
		-	-	SEE SHEET 1	-	-	-

FINISH	DIM M	PART NUMBER
△3	5.5	2057423-6
△3	4.9	2057423-5
△3	4.5	2057423-4
△2	5.5	2057423-3
△2	4.9	2057423-2
△2	4.5	2057423-1

REFER TO WWW.TE.COM
FOR PRODUCT AVAILABILITY

THIS DRAWING IS A CONTROLLED DOCUMENT.		DWN J. K. SHOBER 31 JAN 2011	 TE Connectivity
DIMENSIONS: mm		CHK J. EARY 31 JAN 2011	
		TOLERANCES UNLESS OTHERWISE SPECIFIED: 9 PLC ± 7 PLC ±0.25 5 PLC ±0.13 4 PLC ± ANGLES ± FINISH SEE TABLE	
MATERIAL -		APVD J. EARY 31 JAN 2011	NAME IMPACT, 2 PAIR, 10 COLUMN, HEADER RIGHT GUIDED, OPEN END WALL SIGNAL MODULE, 0.39 PTH
-		PRODUCT SPEC -	RESTRICTED TO
-		APPLICATION SPEC -	SIZE CAGE CODE DRAWING NO A100779C=2057423
-		WEIGHT -	SCALE 5:1 SHEET 2 OF 2 REV B
-		CUSTOMER DRAWING	