



Chipsmall Limited consists of a professional team with an average of over 10 year of expertise in the distribution of electronic components. Based in Hongkong, we have already established firm and mutual-benefit business relationships with customers from,Europe,America and south Asia,supplying obsolete and hard-to-find components to meet their specific needs.

With the principle of “Quality Parts,Customers Priority,Honest Operation,and Considerate Service”,our business mainly focus on the distribution of electronic components. Line cards we deal with include Microchip,ALPS,ROHM,Xilinx,Pulse,ON,Everlight and Freescale. Main products comprise IC,Modules,Potentiometer,IC Socket,Relay,Connector.Our parts cover such applications as commercial,industrial, and automotives areas.

We are looking forward to setting up business relationship with you and hope to provide you with the best service and solution. Let us make a better world for our industry!



Contact us

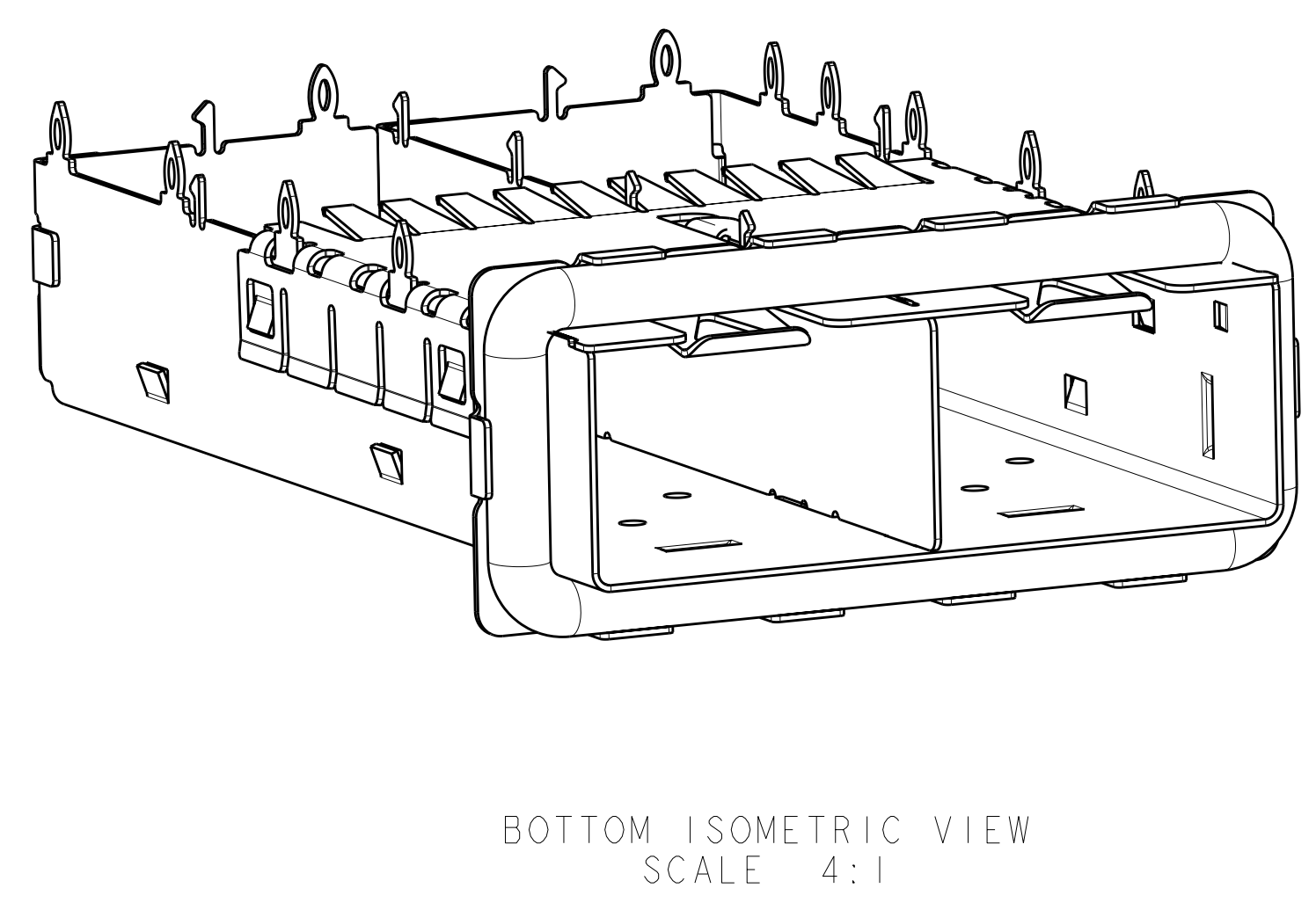
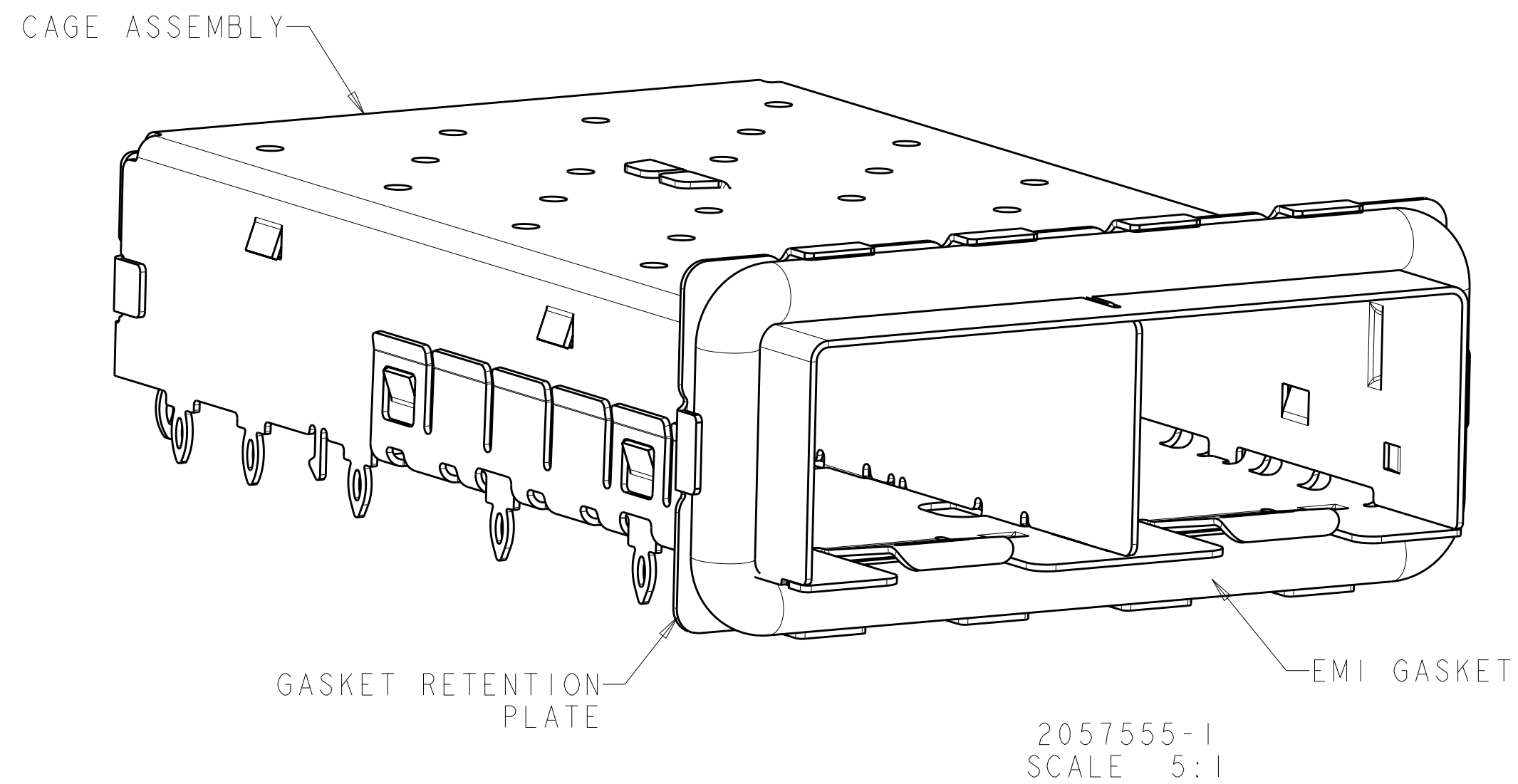
Tel: +86-755-8981 8866 Fax: +86-755-8427 6832

Email & Skype: info@chipsmall.com Web: www.chipsmall.com

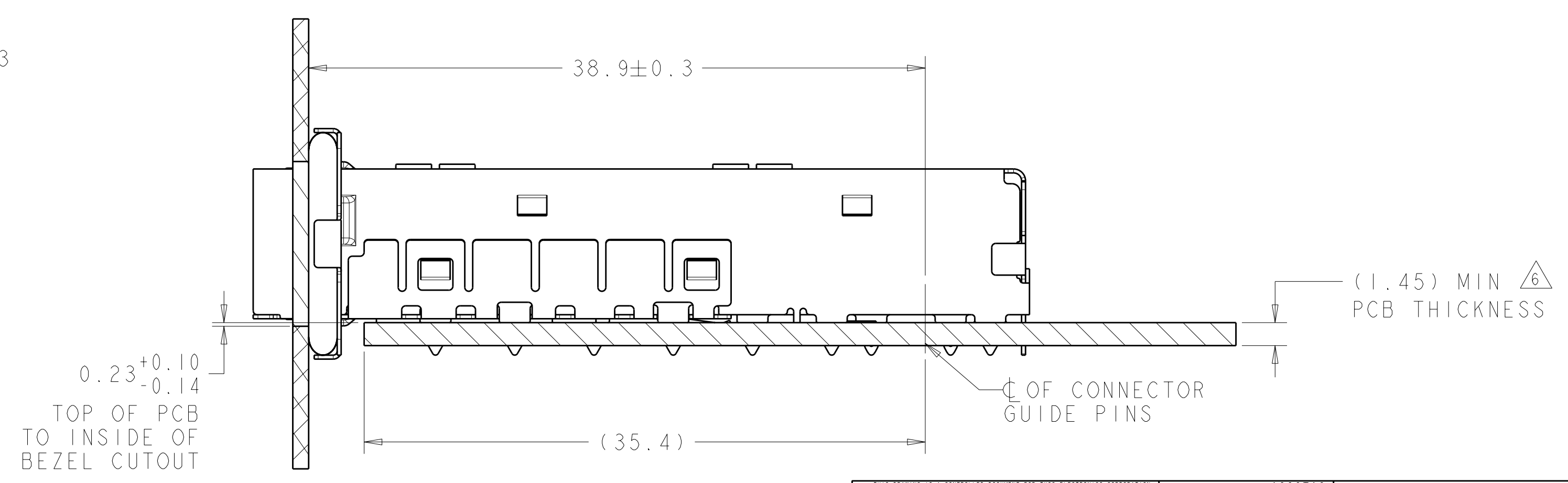
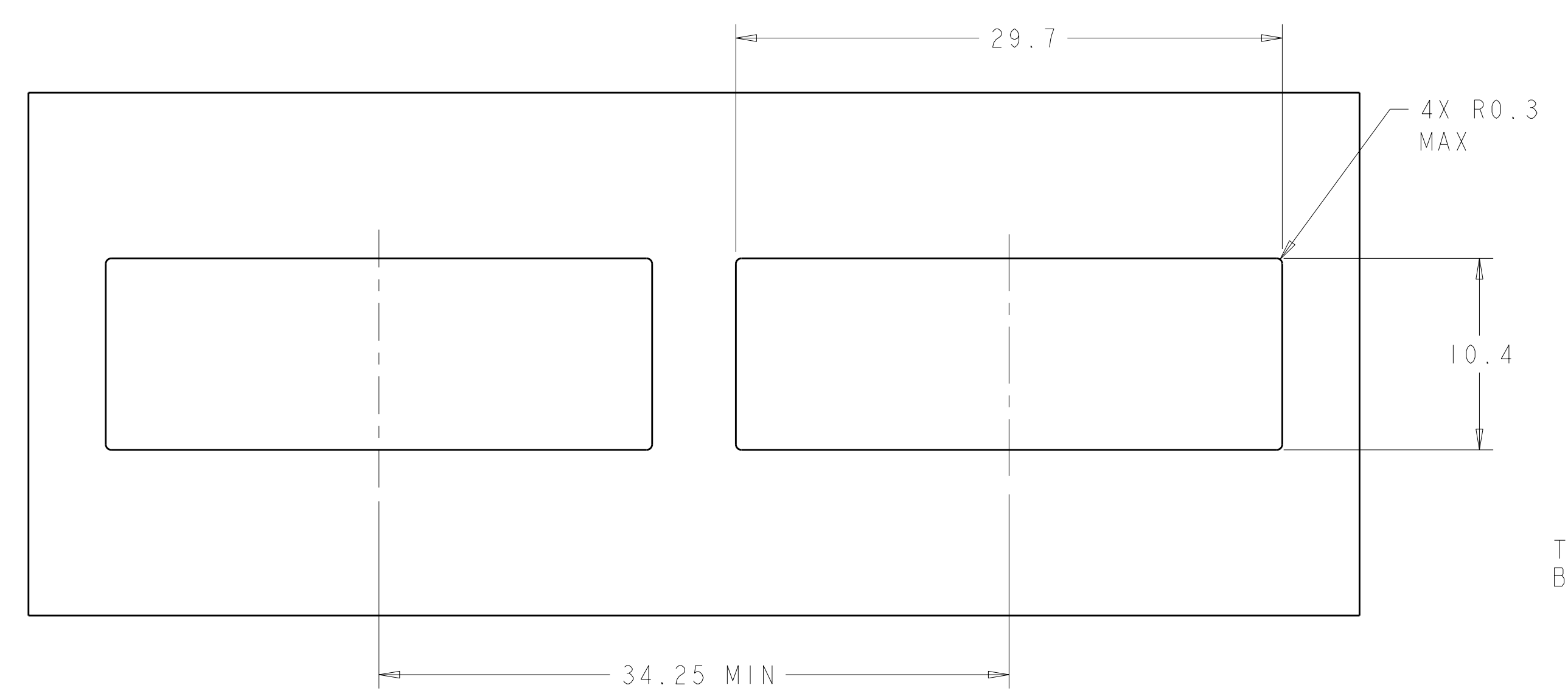
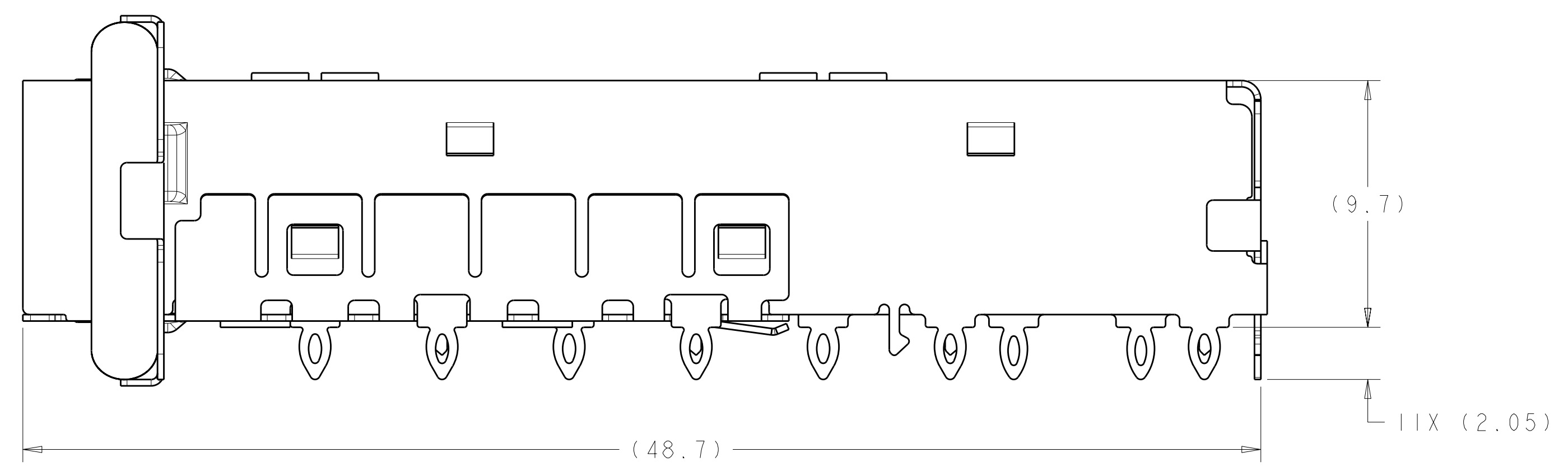
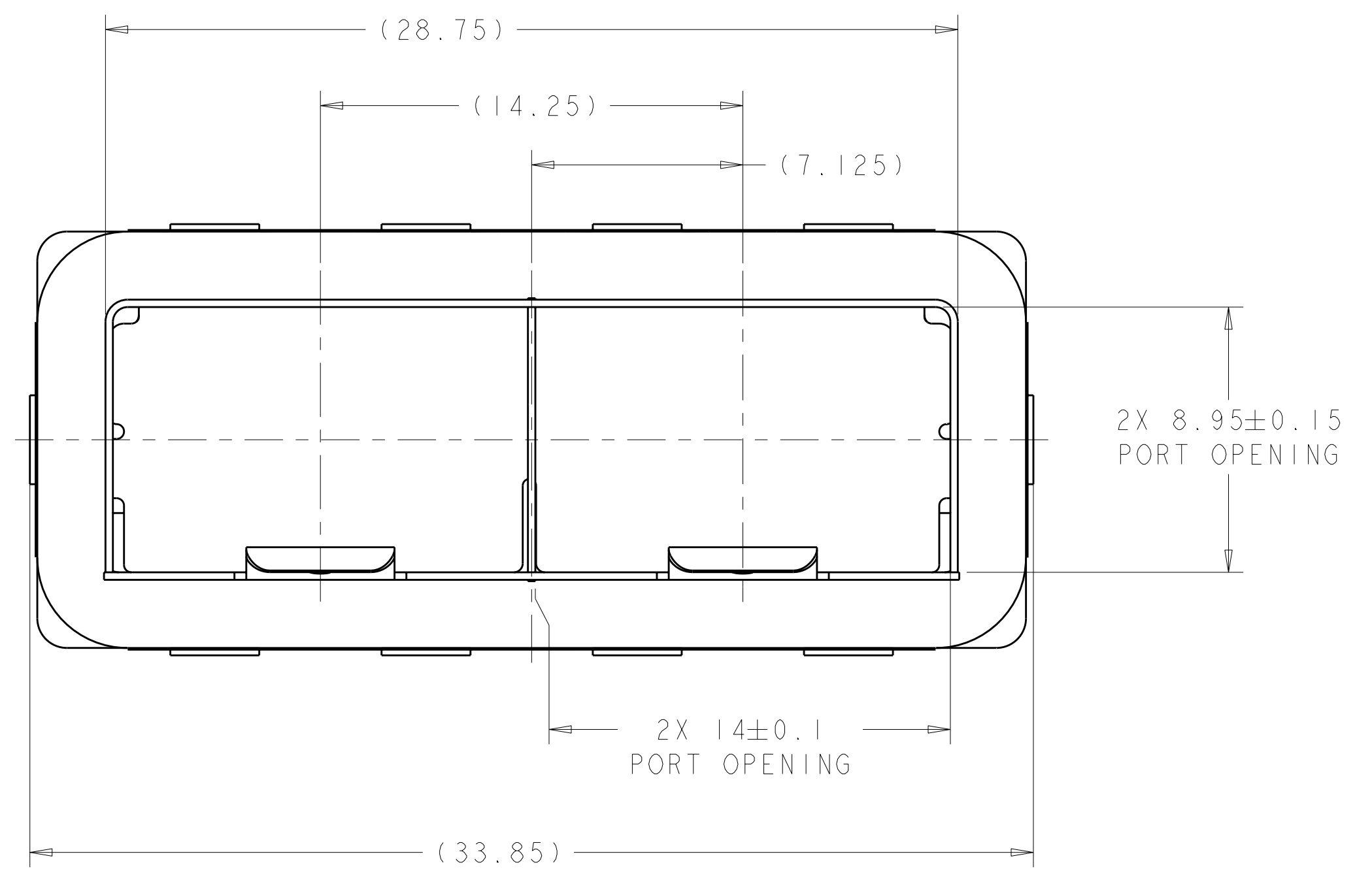
Address: A1208, Overseas Decoration Building, #122 Zhenhua RD., Futian, Shenzhen, China



LOC	DIST	REV	DATE	BY	APPD
GP	00	A	11FEB2011	CJV	JTL



- △ MATERIAL:
 CAGE ASSEMBLY: NICKEL SILVER ALLOY, 0.25mm THK
 GASKET RETENTION PLATE: STAINLESS STEEL
 EMI GASKET: PLATED FILLED SILICONE.
- △ DATUM AND BASIC DIMENSIONS ESTABLISHED BY CUSTOMER.
- 3. MATES WITH SFP MSA COMPLIANT RECIEVERS.
- △ PADS AND VIAS CHASSIS GROUND.
- 5. INTERPRETATION OF DATUM REFERENCE FRAME IN ACCORDANCE WITH SECT 4.4.1.1 OR ASME Y14.5M-1994.
- △ MINIMUM PC BOARD THICKNESS:
 SINGLE SIDED: 1.45mm
- △ HOLE PATTERN REPEATS FOR EACH PORT, SPACING BETWEEN PORTS IS 14.25mm.
- △ REFERENCE APPLICATION SPEC. 114-13120, HOLE A, FOR RECOMMENDED DRILL HOLE DIAMETER AND PLATING THICKNESS.
- △ REFERENCE APPLICATION SPEC. 114-13120, HOLE B, FOR RECOMMENDED DRILL HOLE DIAMETER AND PLATING THICKNESS.



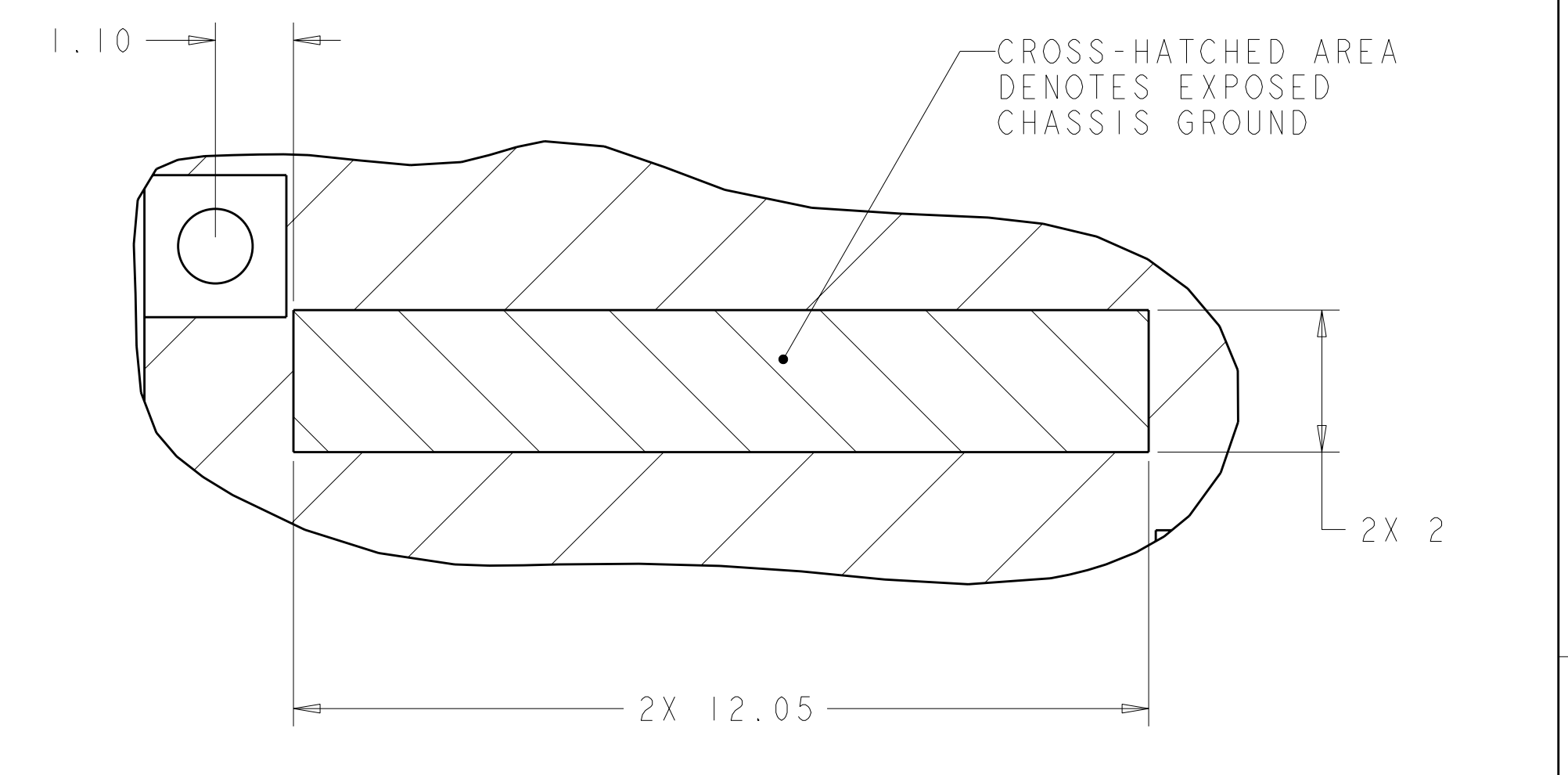
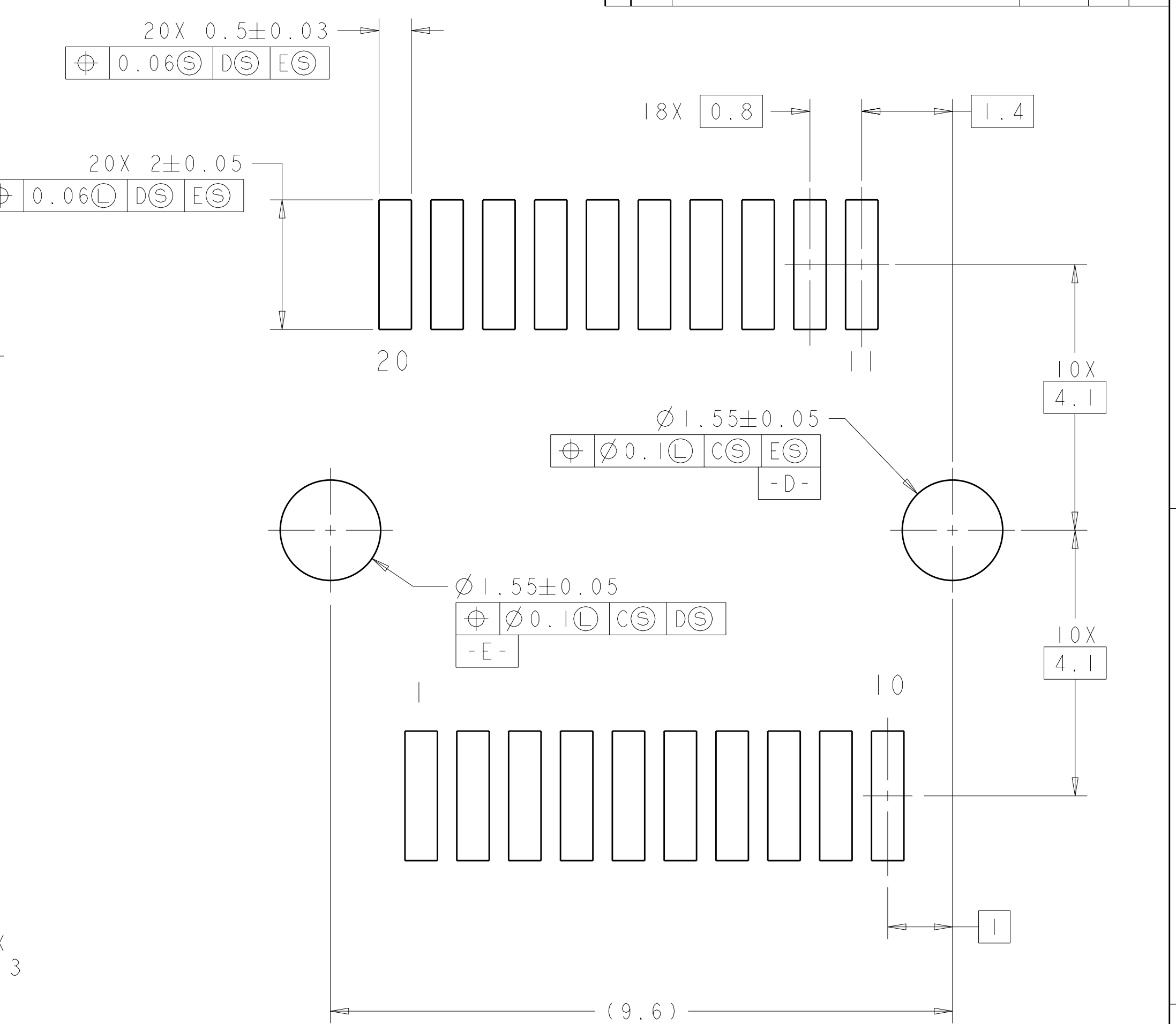
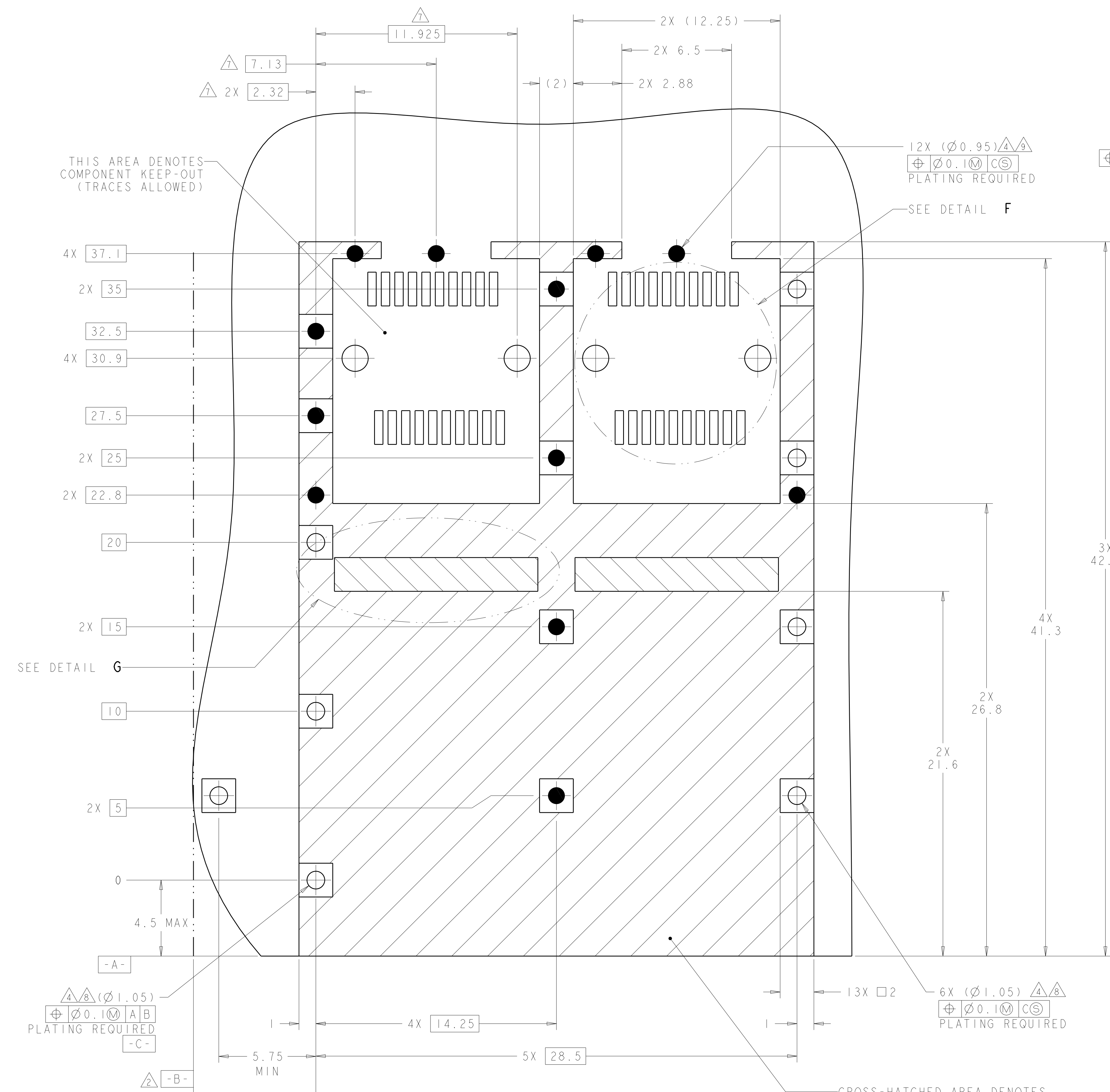
RECOMMENDED BEZEL CUT-OUT
SCALE 4:1

2057555-1
PART
NUMBER

DIMENSIONS: mm 		TOLERANCES UNLESS OTHERWISE SPECIFIED: 9 PLC ±0.13 1 PLC ±0.1 3 PLC ±0.08 4 PLC ±0.05 ANGLES ±1		DWN B. MCMASTER 02OCT08 CHY M. SCHMITT 02OCT08 APVD M. SCHMITT 02OCT08		Tyco Electronics Harrisburg, PA 17105-3608	
MATERIAL △ FINISH -		PRODUCT SPEC 108-2364 APPLICATION SPEC 114-13120		NAME SFP+ ENHANCED 1X2 CAGE ASSEMBLY, PRESS-FIT, EMI GASKET		SIZE CAGE CODE DRAWING NO RESTRICTED TO A 100779 C=2057555 -	
CUSTOMER DRAWING		WEIGHT -		SCALE 6:1		SHEET 1 OF 2 REV A	

LOC	DIST	REV	DATE	BY	APPD
GP	00				

REVISIONS		DATE	BY	APPD
-	SEE SHEET 1	-	-	-



RECOMMENDED PCB CONFIGURATION W/ KEEP-OUT AREAS
 SINGLE SIDED APPLICATIONS
 SCALE 8:1

DIMENSIONS: mm 		TOLERANCES UNLESS OTHERWISE SPECIFIED: 9 PLC ±0.13 1 PLC ±0.1 2 PLC ±0.08 3 PLC ±0.05 4 PLC ±0.05 ANGLES ±0.1		DWN B. MCMASTER 02OCT08 CHY M. SCHMITT 02OCT08 APVD M. SCHMITT 02OCT08		Tyco Electronics Harrisburg, PA 17105-3608	
MATERIAL: - FINISH: -		PRODUCT SPEC: 108-2364 APPLICATION SPEC: 114-13120		NAME: SFP+ ENHANCED 1X2 CAGE ASSEMBLY, PRESS-FIT, EMI GASKET		SIZE: CAGE CODE DRAWING NO: A1100779C=2057555	
CUSTOMER DRAWING		WEIGHT: -		SCALE: 6:1		SHEET: 2 OF 2 REV: A	