



Chipsmall Limited consists of a professional team with an average of over 10 year of expertise in the distribution of electronic components. Based in Hongkong, we have already established firm and mutual-benefit business relationships with customers from,Europe,America and south Asia,supplying obsolete and hard-to-find components to meet their specific needs.

With the principle of “Quality Parts,Customers Priority,Honest Operation,and Considerate Service”,our business mainly focus on the distribution of electronic components. Line cards we deal with include Microchip,ALPS,ROHM,Xilinx,Pulse,ON,Everlight and Freescale. Main products comprise IC,Modules,Potentiometer,IC Socket,Relay,Connector.Our parts cover such applications as commercial,industrial, and automotives areas.

We are looking forward to setting up business relationship with you and hope to provide you with the best service and solution. Let us make a better world for our industry!



## Contact us

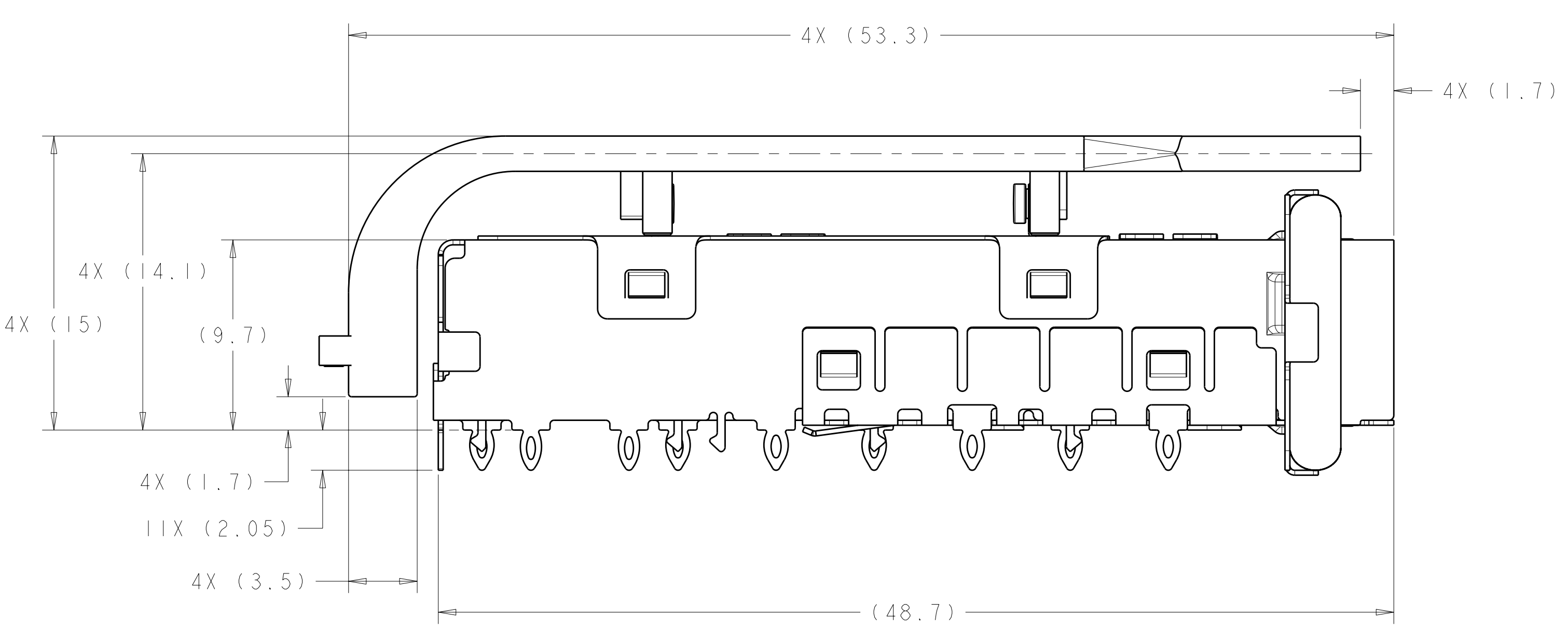
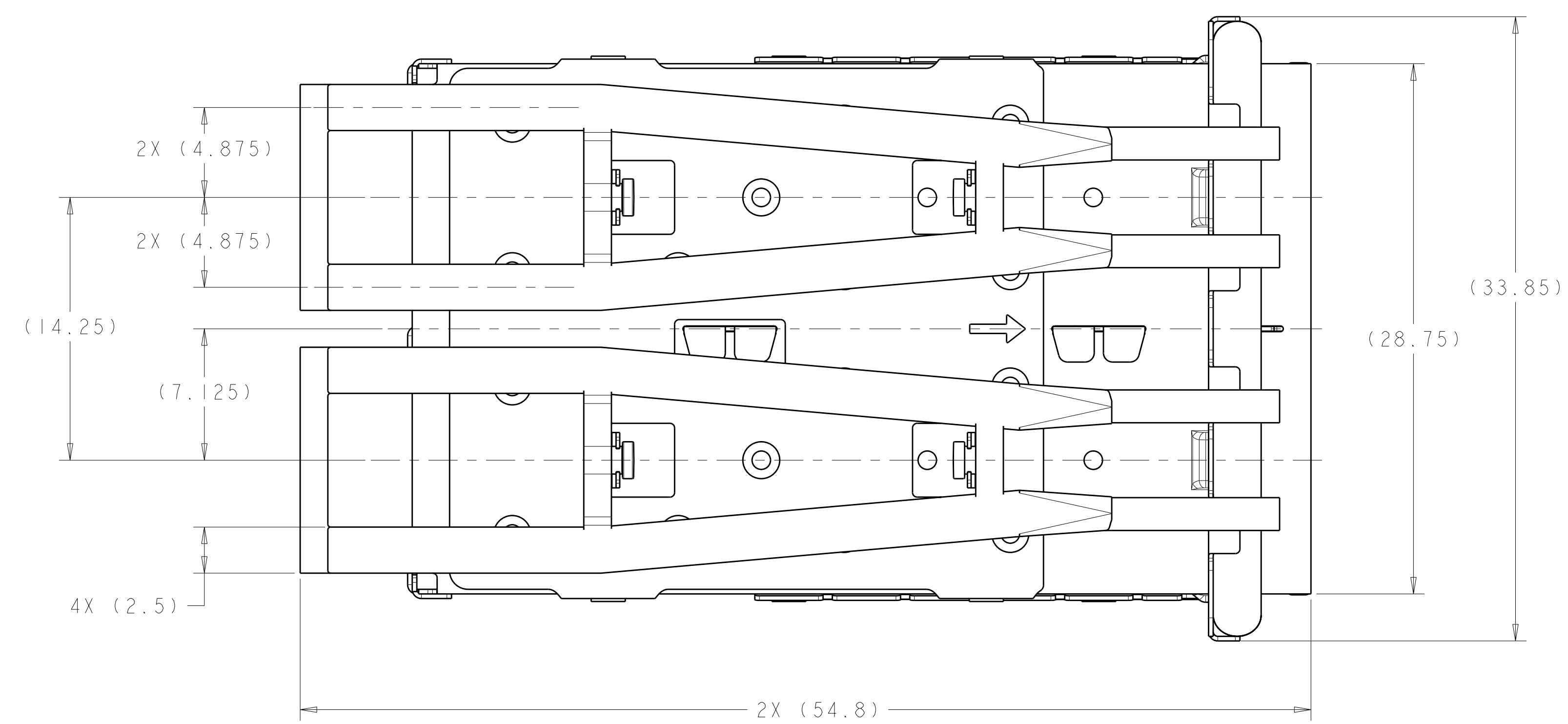
Tel: +86-755-8981 8866 Fax: +86-755-8427 6832

Email & Skype: info@chipsmall.com Web: www.chipsmall.com

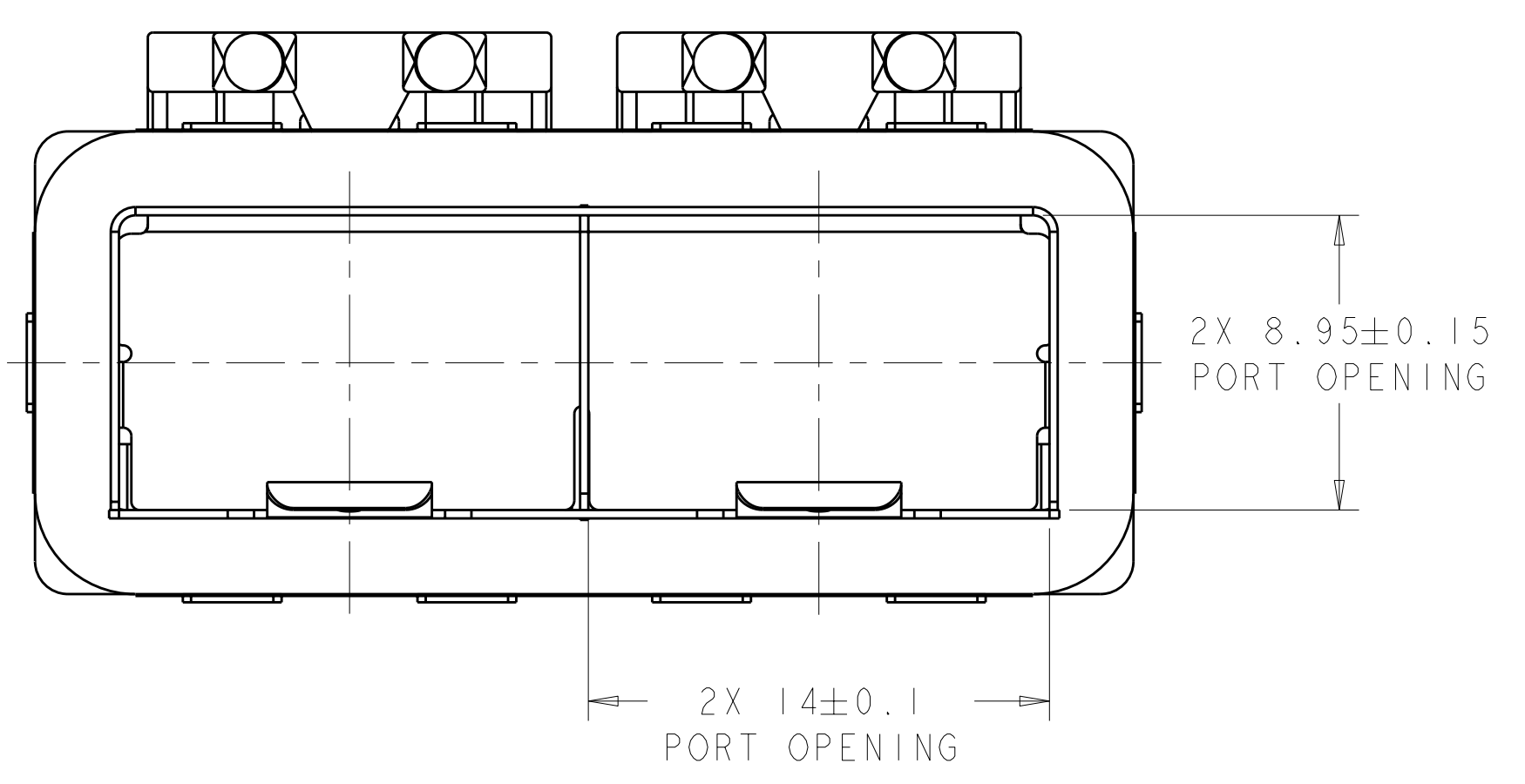
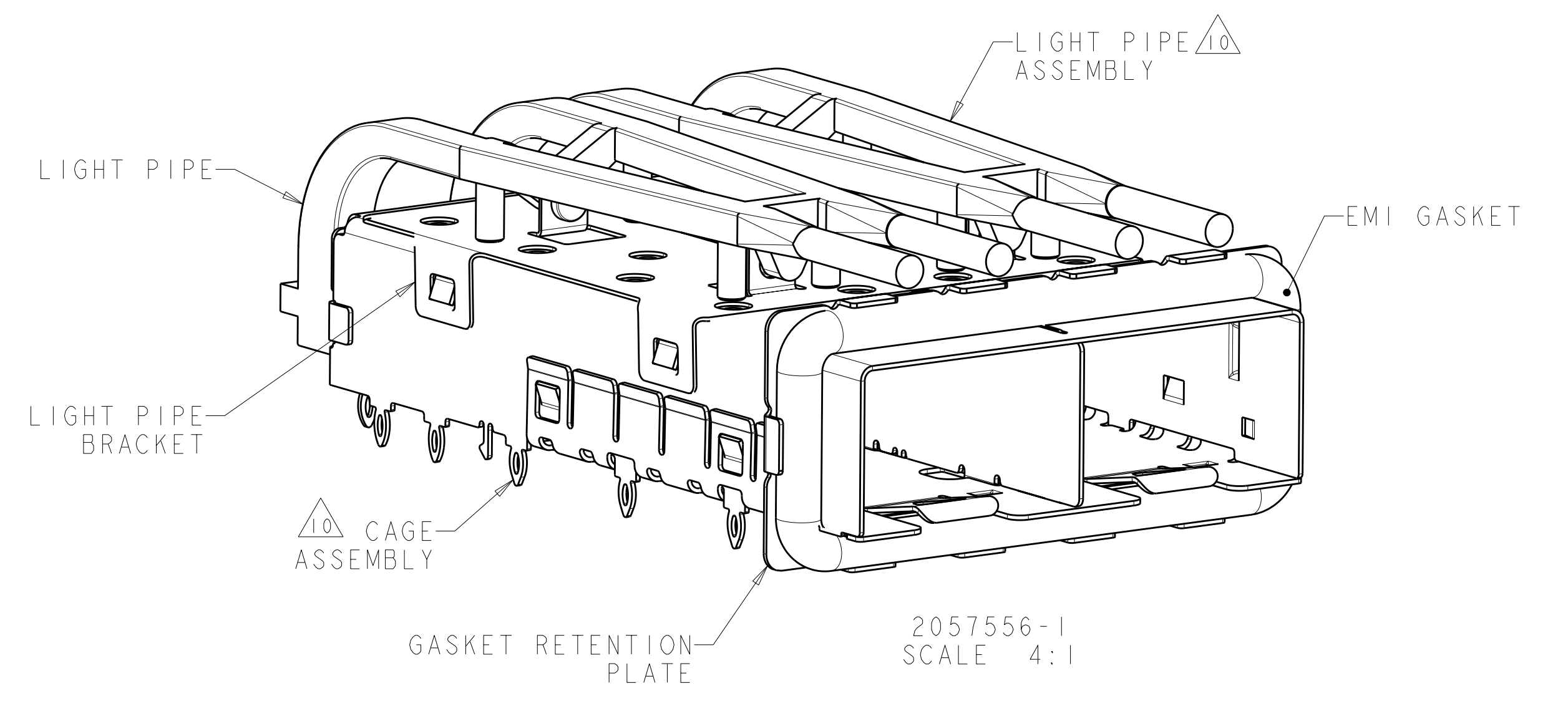
Address: A1208, Overseas Decoration Building, #122 Zhenhua RD., Futian, Shenzhen, China



LOC	DIST	REVISIONS			
GP	00	REV	DATE	BY	APPD
		A	RELEASE PER ECO-10-025263	14FEB2011	CJV JTJ



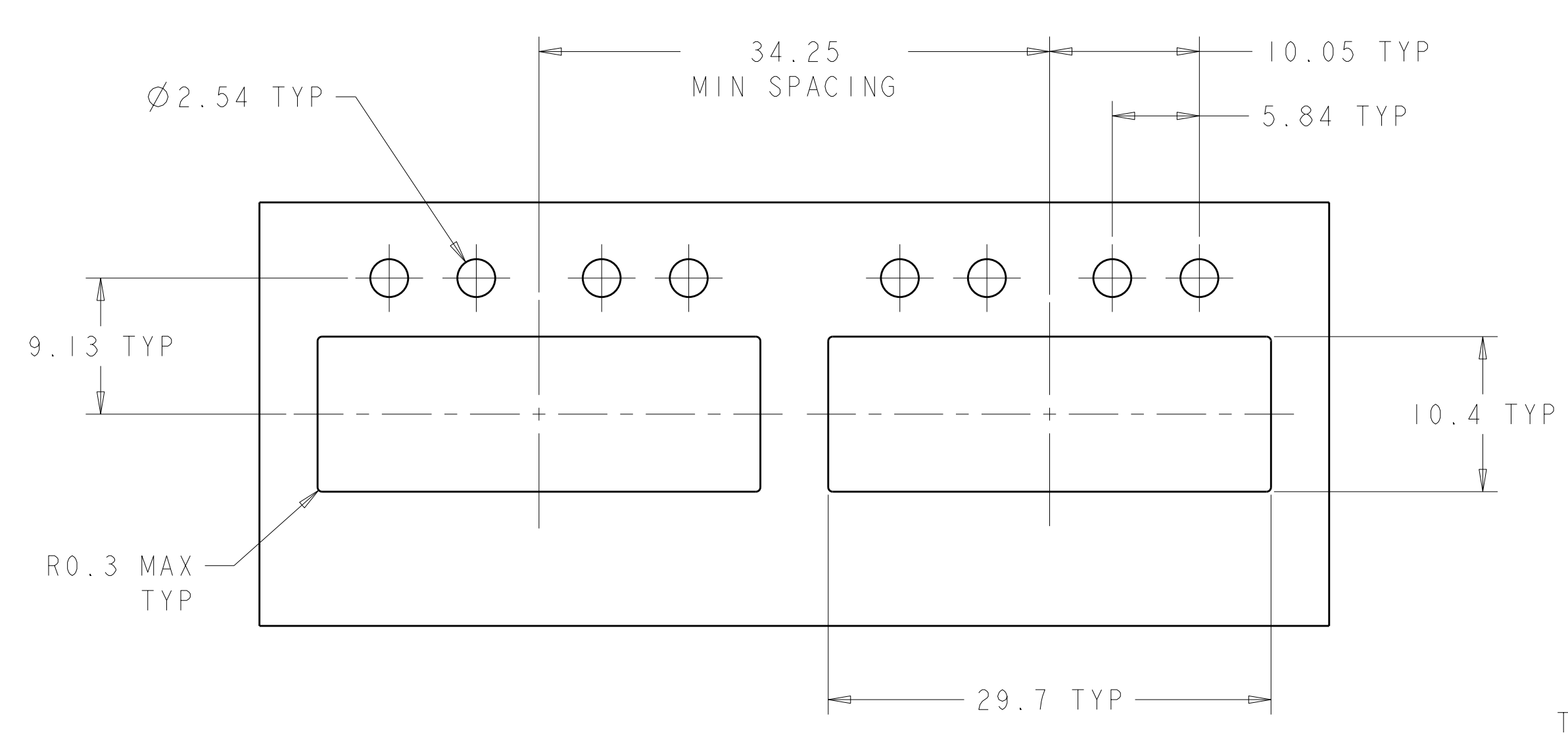
- 1 MATERIAL:  
 CAGE ASSEMBLY: NICKEL SILVER ALLOY  
 GASKET RETENTION PLATE AND LIGHT PIPE BRACKET: STAINLESS STEEL  
 EMI GASKET: PLATED FILLED SILICONE  
 LIGHT PIPE: POLYCARBONATE, CLEAR.
- 2 DATUM AND BASIC DIMENSION ESTABLISHED BY CUSTOMER.
- 3. MATES WITH SFP MSA COMPLIANT TRANSCEIVERS.
- 4 PADS AND VIAS CHASSIS GROUND.
- 5. INTERPRETATION OF DATUM REFERENCE FRAME IN ACCORDANCE WITH SECT 4.4.1.1 OF ASME Y14.5M-1994.
- 6 MINIMUM PC BOARD THICKNESS:  
 SINGLE SIDED: 1.45mm.
- 7 HOLE PATTERN REPEATS FOR EACH PORT, SPACING BETWEEN PORTS IS 14.25mm.
- 8 REFERENCE APPLICATION SPEC 114-13120, HOLE A, FOR RECOMMENDED DRILL HOLE DIAMETER AND PLATING THICKNESS.
- 9 REFERENCE APPLICATION SPEC 114-13120, HOLE B, FOR RECOMMENDED DRILL HOLE DIAMETER AND PLATING THICKNESS.
- 10 LIGHT PIPE ASSEMBLY SHIPPED UNASSEMBLED TO CAGE ASSEMBLY, CAGE ASSEMBLY TO BE PRESSED INTO THE PC BOARD PRIOR TO ATTACHING THE LIGHT PIPE ASSEMBLY TO THE CAGE ASSEMBLY.



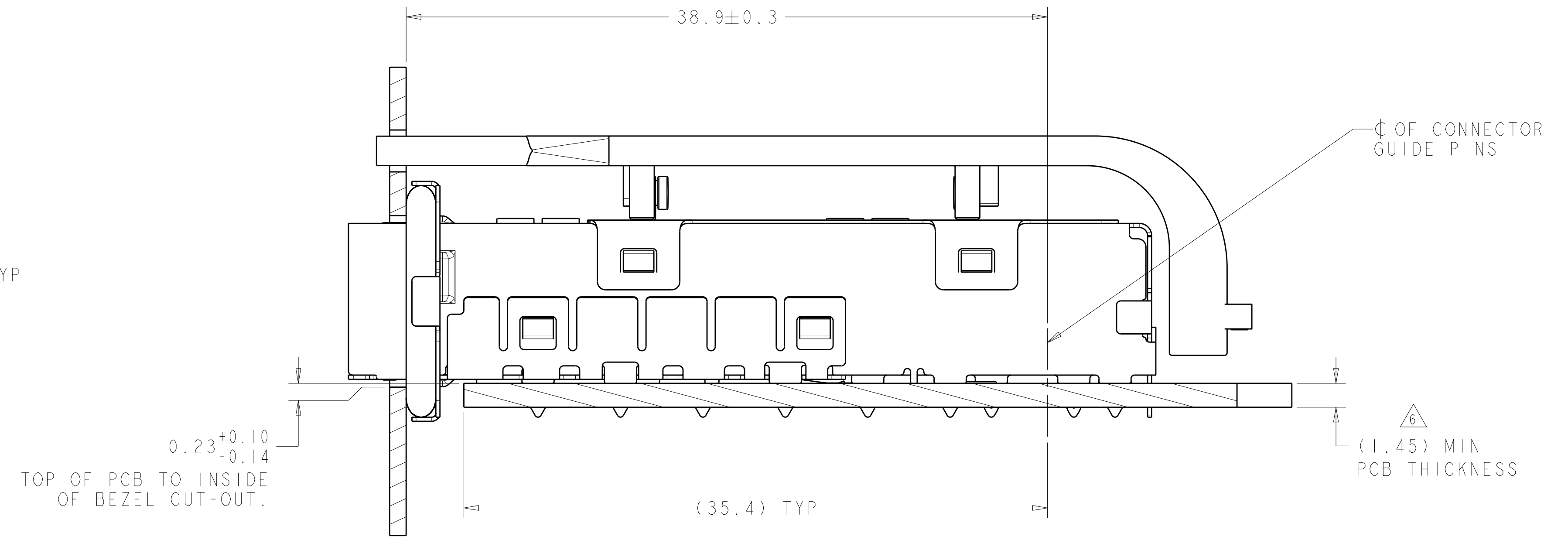
2057556-1  
 PART NUMBER

DIMENSIONS: mm 		TOLERANCES UNLESS OTHERWISE SPECIFIED: 9 PLC ±0.13 1 PLC ±0.1 2 PLC ±0.08 3 PLC ±0.05 4 PLC ±0.05 ANGLES ±0.05 FINISH #1		DWN B. MCMASTER 06OCT08 CHK M. SCHMITT 06OCT08 APVD M. SCHMITT 06OCT08		Tyco Electronics Harrisburg, PA 17105-3608	
MATERIAL 		NAME SFP+ 1X2 CAGE ASSEMBLY WITH LIGHT PIPES, PRESS FIT, EMI GASKET		PRODUCT SPEC -		SIZE CAGE CODE DRAWING NO 114-13120	
CUSTOMER DRAWING		WEIGHT -		RESTRICTED TO A 100779 C-2057556		SCALE 5:1 SHEET 1 OF 3 REV A	

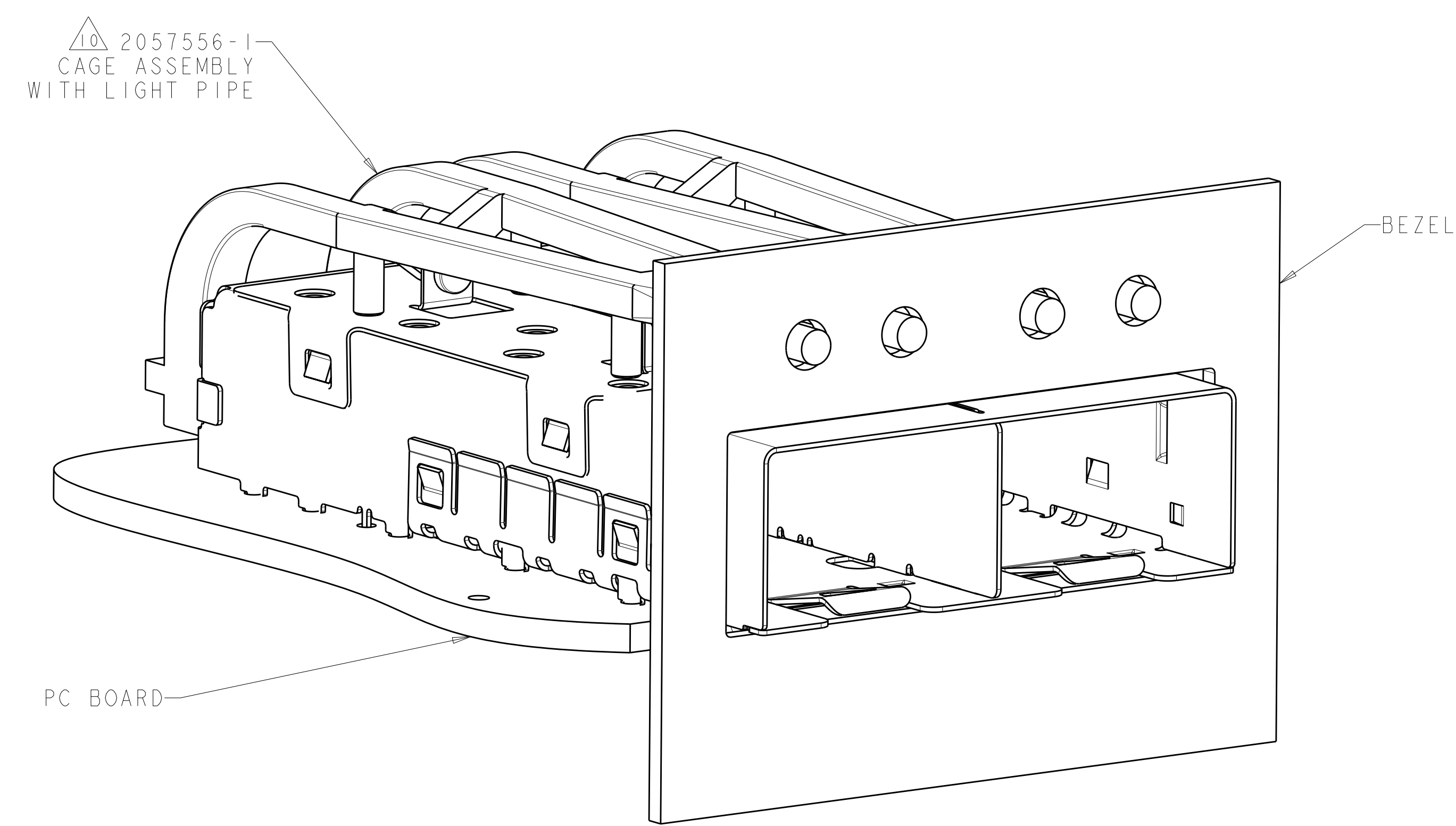
LOC	DIST	REVISIONS					
GP	00	P	LTB	DESCRIPTION	DATE	DWN	APVD
		-	-	SEE SHEET 1	-	-	-



RECOMMENDED BEZEL CUT-OUT  
 SCALE 3:1



SECTION J-J  
 MOUNTED ON PCB  
 SHOWN THRU RECOMMENDED BEZEL



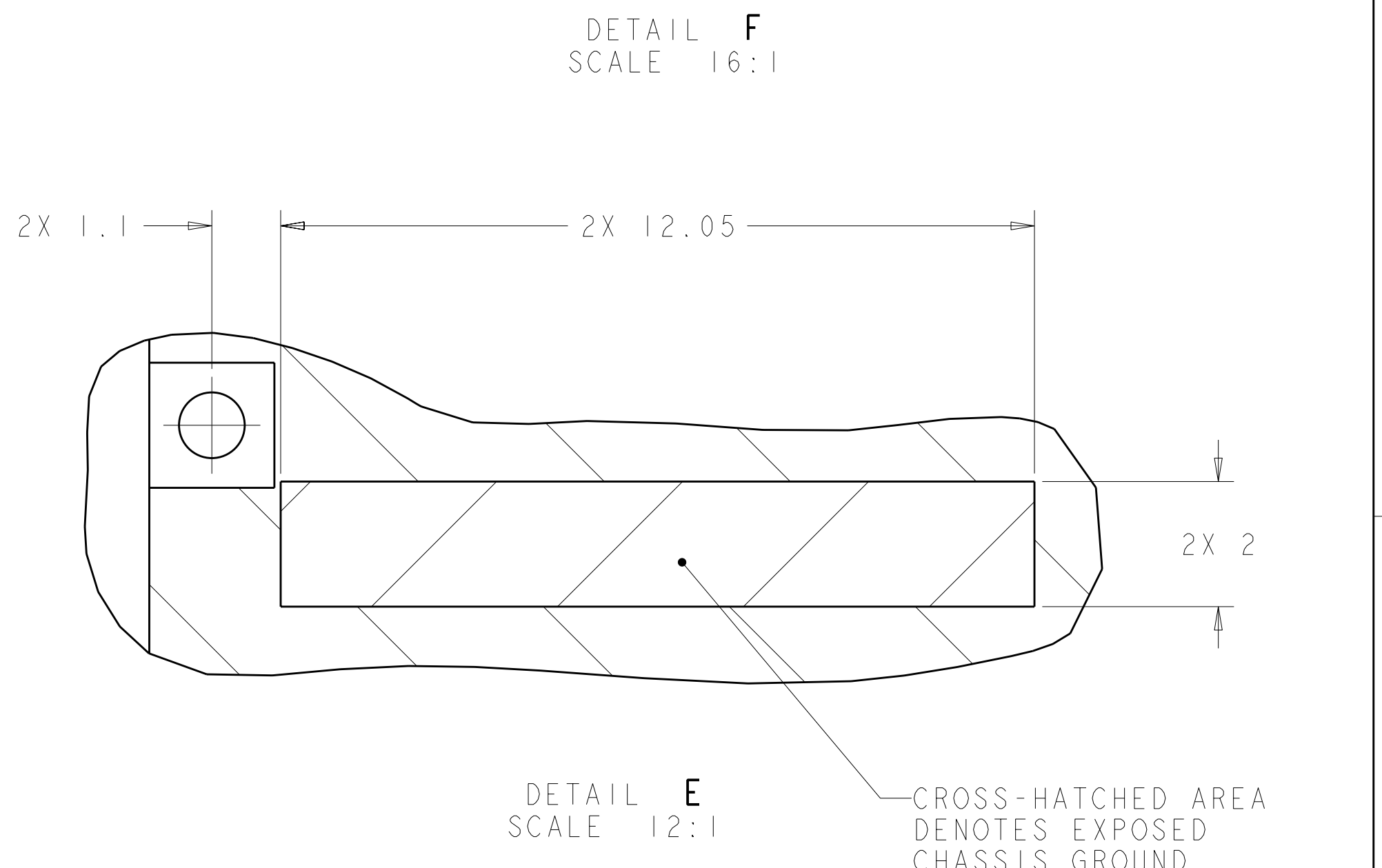
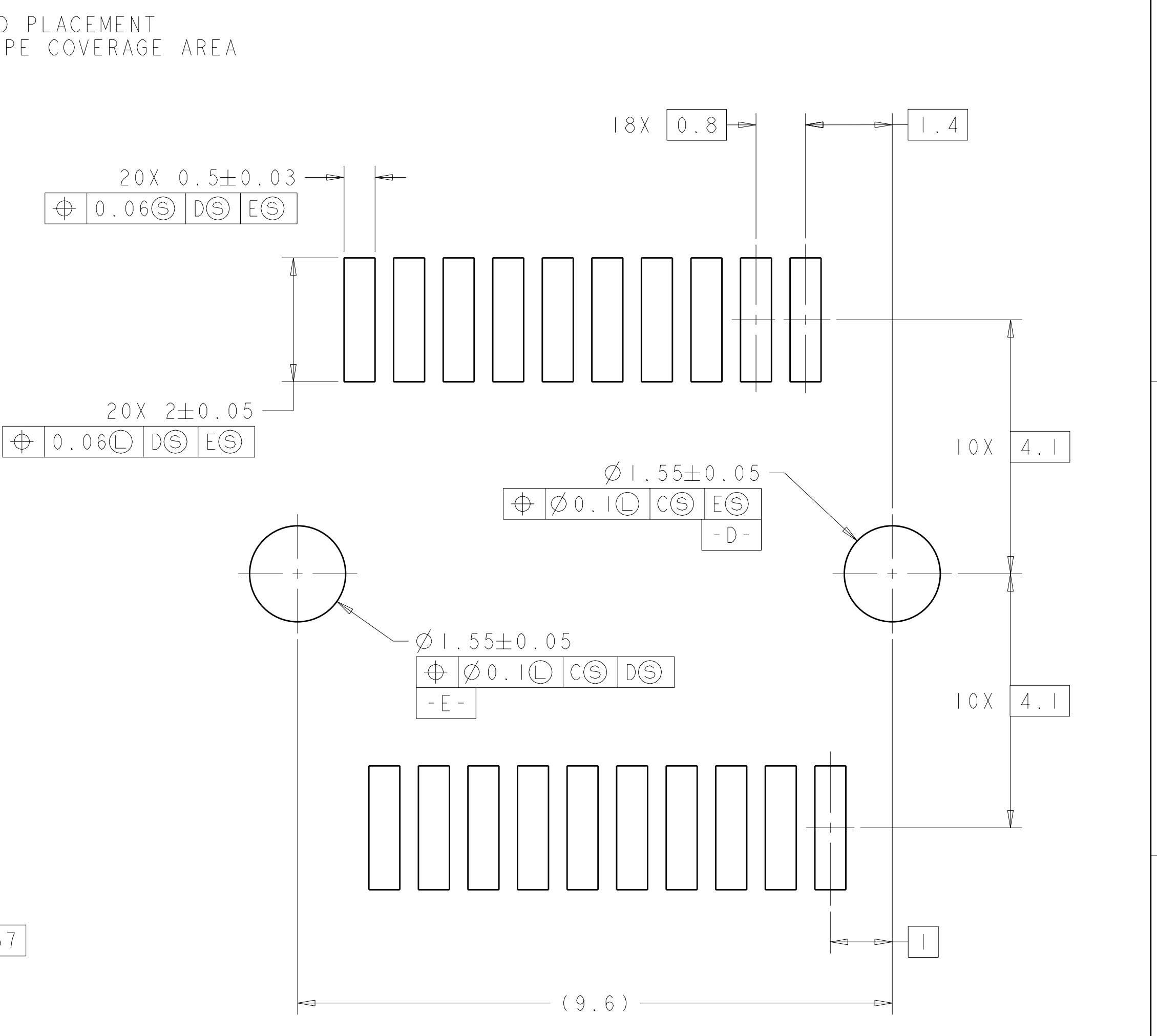
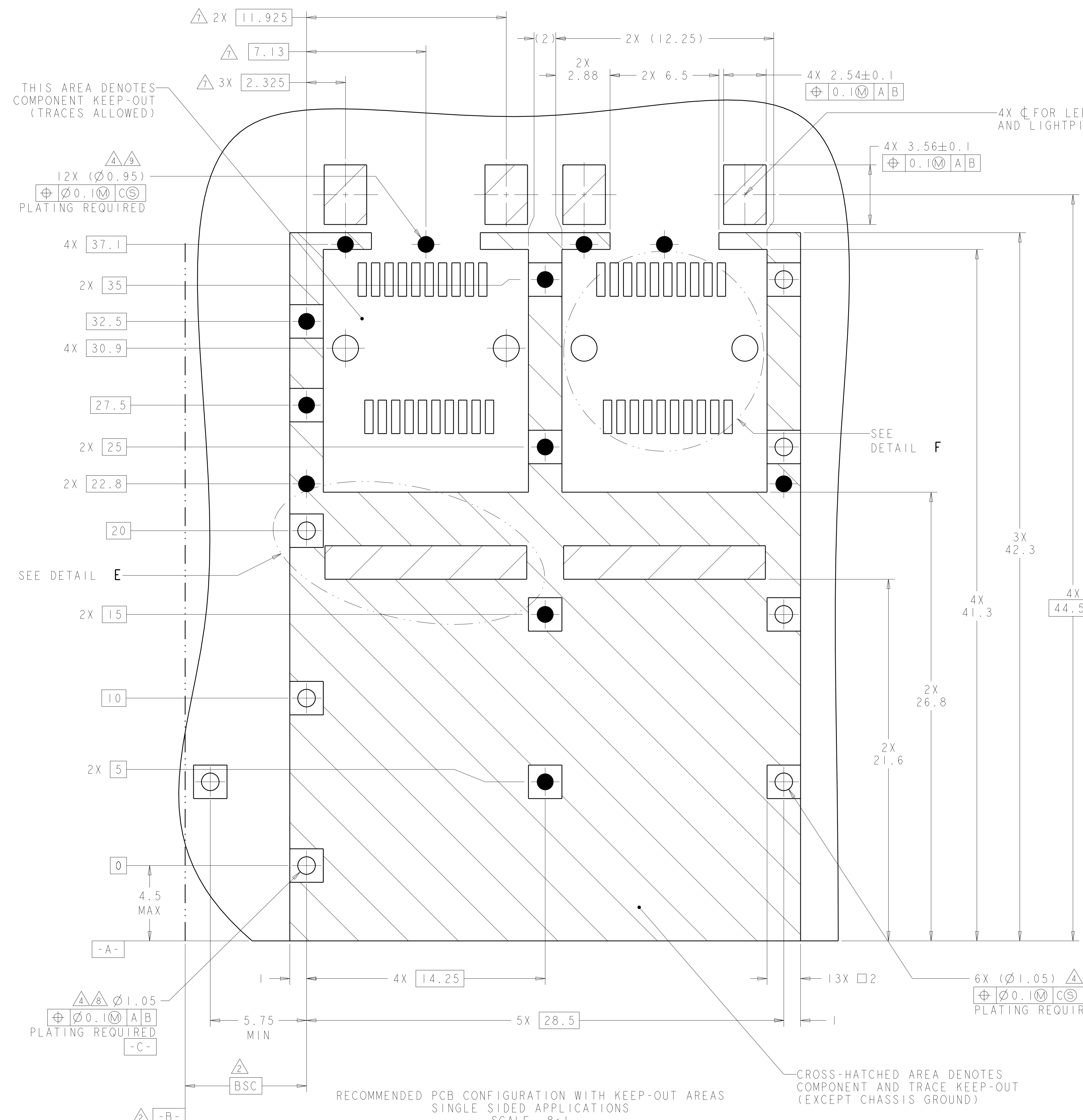
2057556-1  
 MOUNTED ON PCB  
 SHOWN THRU RECOMMENDED BEZEL.

<small>THIS DRAWING IS UNPUBLISHED. RELEASED FOR PUBLICATION BY TYCO ELECTRONICS CORPORATION. IT IS SUBJECT TO CHANGE WITHOUT NOTICE AND WITHOUT OBLIGATION. SHOULD BE CONTACTED FOR THE LATEST REVISION.</small>		DWN: B. MCMASTER 06OCT08 CHK: M. SCHMITT 06OCT08 APVD: M. SCHMITT 06OCT08	<b>Tyco Electronics</b> Tyco Electronics Harrisburg, PA 17105-3608
DIMENSIONS: mm	TOLERANCES UNLESS OTHERWISE SPECIFIED: 9 PLC ±0.13 1 PLC ±0.1 2 PLC ±0.08 3 PLC ±0.05 4 PLC ±0.05 ANGLES ±0.05 FINISH #1	PRODUCT SPEC APPLICATION SPEC 114-13120 WEIGHT CUSTOMER DRAWING	NAME: SFP+ 1X2 CAGE ASSEMBLY WITH LIGHT PIPES, PRESS FIT, EMI GASKET SIZE: CAGE CODE DRAWING NO: A100779C=2057556 RESTRICTED TO:
MATERIAL:		SCALE: 5:1	SHEET: 2 OF 3 REV: A

LOC	DIST	REV	DATE	BY	APPD
GP	00				

REVISIONS		DATE	BY	APPD
1	SEE SHEET 1			



THIS AREA DENOTES COMPONENT KEEP-OUT (TRACES ALLOWED)

12X (∅0.95) PLATING REQUIRED

SEE DETAIL E

SEE DETAIL F

RECOMMENDED PCB CONFIGURATION WITH KEEP-OUT AREAS SINGLE SIDED APPLICATIONS SCALE 8:1

CROSS-HATCHED AREA DENOTES COMPONENT AND TRACE KEEP-OUT (EXCEPT CHASSIS GROUND)

DIMENSIONS: mm 		TOLERANCES UNLESS OTHERWISE SPECIFIED: 9 PLC ±0.13 1 PLC ±0.1 5 PLC ±0.08 4 PLC ±0.05 ANGLES ±0.05		DWN: MCMAS CHK: M SCHMITT APVD: M SCHMITT DATE: 06OCT08 NAME: SFP+ 1X2 CAGE ASSEMBLY WITH LIGHT PIPES, PRESS FIT, EMI GASKET SIZE: 114-13120 WEIGHT: A100779C=2057556 CUSTOMER DRAWING		Tyco Electronics Harrisburg, PA 17105-3608	
MATERIAL: FINISH: #1		0 PLC ±0.13 1 PLC ±0.1 5 PLC ±0.08 4 PLC ±0.05 ANGLES ±0.05		DATE: 06OCT08 NAME: SFP+ 1X2 CAGE ASSEMBLY WITH LIGHT PIPES, PRESS FIT, EMI GASKET SIZE: 114-13120 WEIGHT: A100779C=2057556 CUSTOMER DRAWING		SCALE: 5:1 SHEET: 3 OF 3 REV: A	