



Chipsmall Limited consists of a professional team with an average of over 10 year of expertise in the distribution of electronic components. Based in Hongkong, we have already established firm and mutual-benefit business relationships with customers from,Europe,America and south Asia,supplying obsolete and hard-to-find components to meet their specific needs.

With the principle of “Quality Parts,Customers Priority,Honest Operation,and Considerate Service”,our business mainly focus on the distribution of electronic components. Line cards we deal with include Microchip,ALPS,ROHM,Xilinx,Pulse,ON,Everlight and Freescale. Main products comprise IC,Modules,Potentiometer,IC Socket,Relay,Connector.Our parts cover such applications as commercial,industrial, and automotives areas.

We are looking forward to setting up business relationship with you and hope to provide you with the best service and solution. Let us make a better world for our industry!



Contact us

Tel: +86-755-8981 8866 Fax: +86-755-8427 6832

Email & Skype: info@chipsmall.com Web: www.chipsmall.com

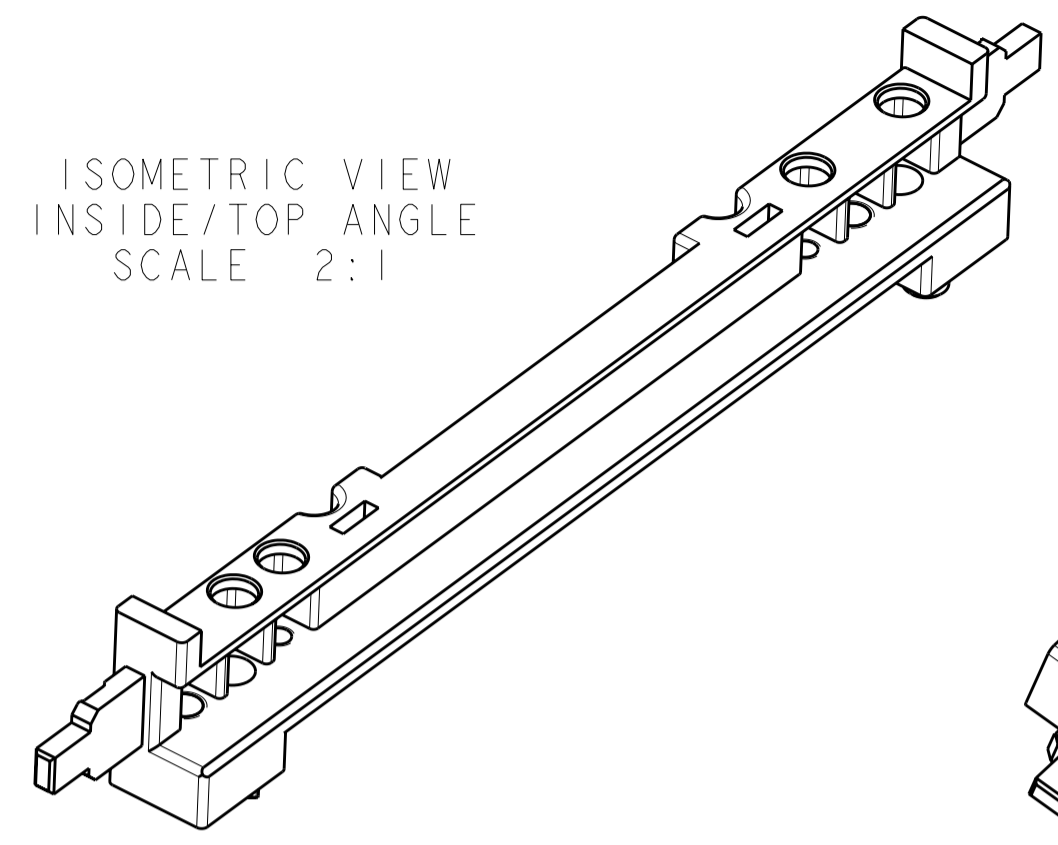
Address: A1208, Overseas Decoration Building, #122 Zhenhua RD., Futian, Shenzhen, China



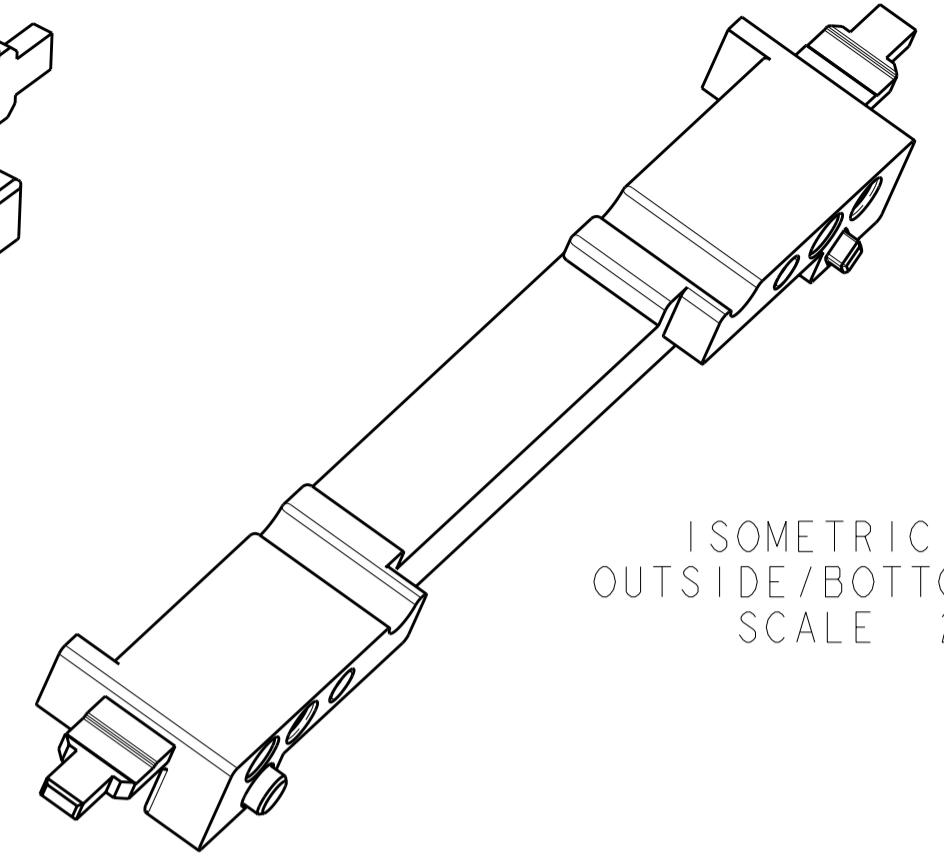
THIS DRAWING IS UNPUBLISHED. RELEASED FOR PUBLICATION 2008
 © COPYRIGHT 2008 BY - ALL RIGHTS RESERVED.

LOC	DIST	REVISIONS			
P	LTR	DESCRIPTION	DATE	DWN	APVD
GP	00	A	RELEASED PER ECO-12-006362	15MAY2012	CJV MRS

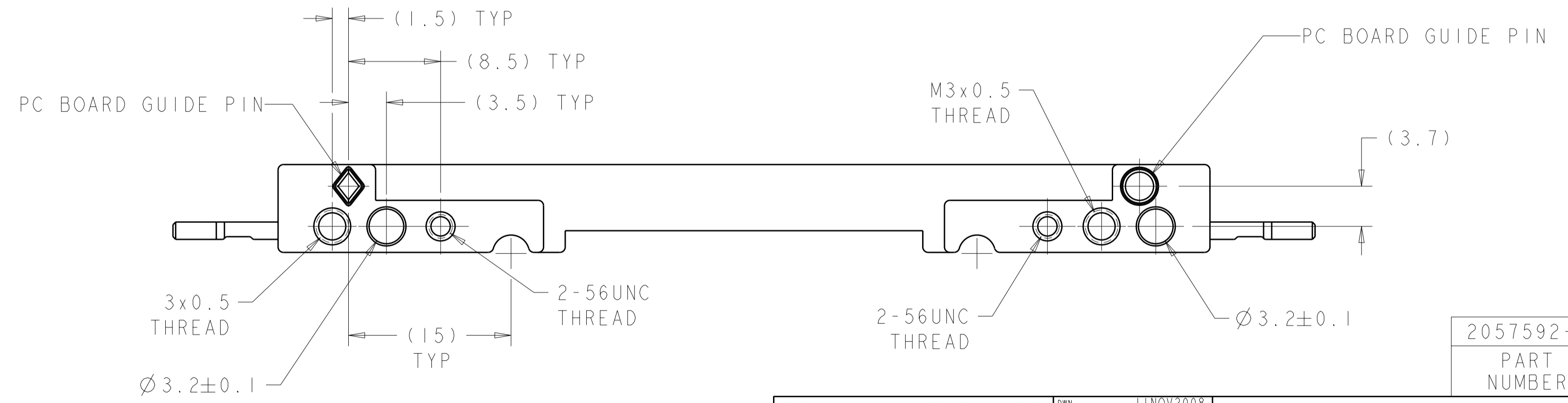
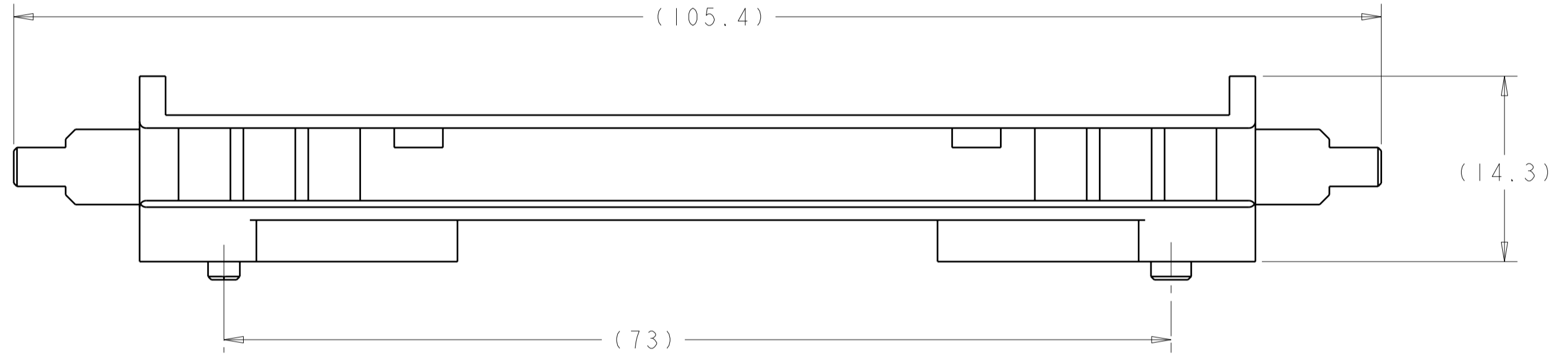
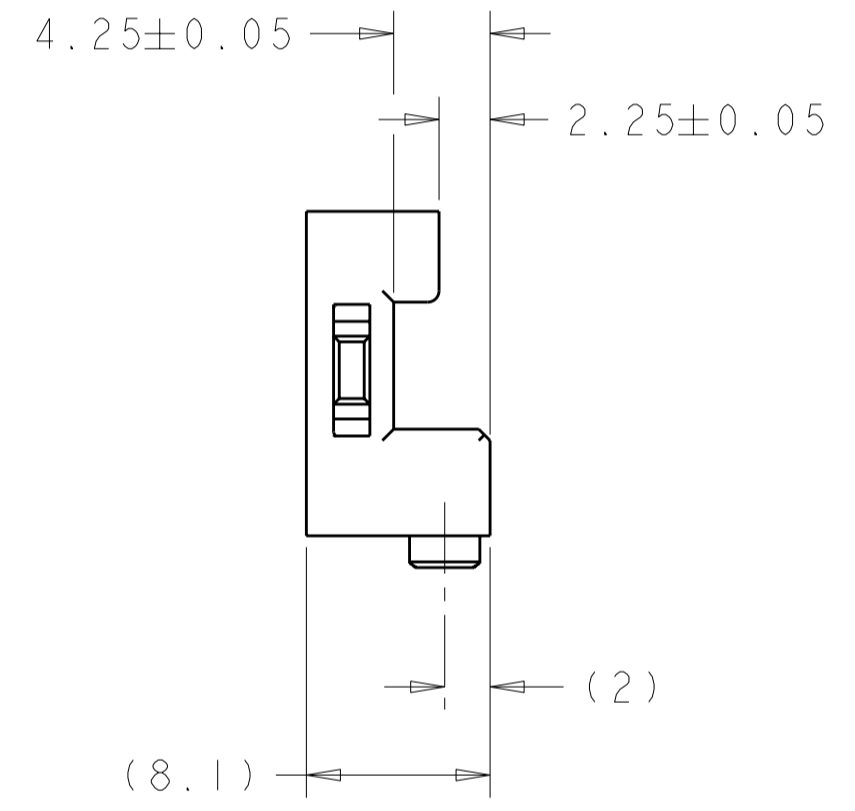
ISOMETRIC VIEW
 INSIDE/TOP ANGLE
 SCALE 2:1



ISOMETRIC VIEW
 OUTSIDE/BOTTOM ANGLE
 SCALE 2:1



- ① MATERIAL: ZINC ALLOY PER ASTM B 86, AG40A.
- ② FINISH: 1.27µm MIN NICKEL PLATE PER QQ-N-290
 OVER 5.08µm MIN COPPER PLATE PER AMS 2418.



2057592-2
 PART NUMBER

THIS DRAWING IS A CONTROLLED DOCUMENT. DIMENSIONING AND TOLERANCING PER ASME Y14.5M-2009		DWN C. VALENTINE 11NOV2008	TE Connectivity	
DIMENSIONS: mm		CHK E. BRIGHT 11NOV2008		
TOLERANCES UNLESS OTHERWISE SPECIFIED:		APVD E. BRIGHT 11NOV2008	NAME GUIDE RAIL, 100 GIG PLUGGABLE	
0 PLC ±-		PRODUCT SPEC 108-2399	SIZE -	
1 PLC ±-		APPLICATION SPEC 114-13263	CAGE CODE A200779	
2 PLC ±-		WEIGHT -	DRAWING NO C-2057592	
3 PLC ±-		RESTRICTED TO -		
4 PLC ±-		SCALE 3:1		
ANGLES ±		SHEET 1 OF 1		
FINISH		REV A		