



Chipsmall Limited consists of a professional team with an average of over 10 year of expertise in the distribution of electronic components. Based in Hongkong, we have already established firm and mutual-benefit business relationships with customers from,Europe,America and south Asia,supplying obsolete and hard-to-find components to meet their specific needs.

With the principle of "Quality Parts,Customers Priority,Honest Operation,and Considerate Service",our business mainly focus on the distribution of electronic components. Line cards we deal with include Microchip,ALPS,ROHM,Xilinx,Pulse,ON,Everlight and Freescale. Main products comprise IC,Modules,Potentiometer,IC Socket,Relay,Connector.Our parts cover such applications as commercial,industrial, and automotives areas.

We are looking forward to setting up business relationship with you and hope to provide you with the best service and solution. Let us make a better world for our industry!



Contact us

Tel: +86-755-8981 8866 Fax: +86-755-8427 6832

Email & Skype: info@chipsmall.com Web: www.chipsmall.com

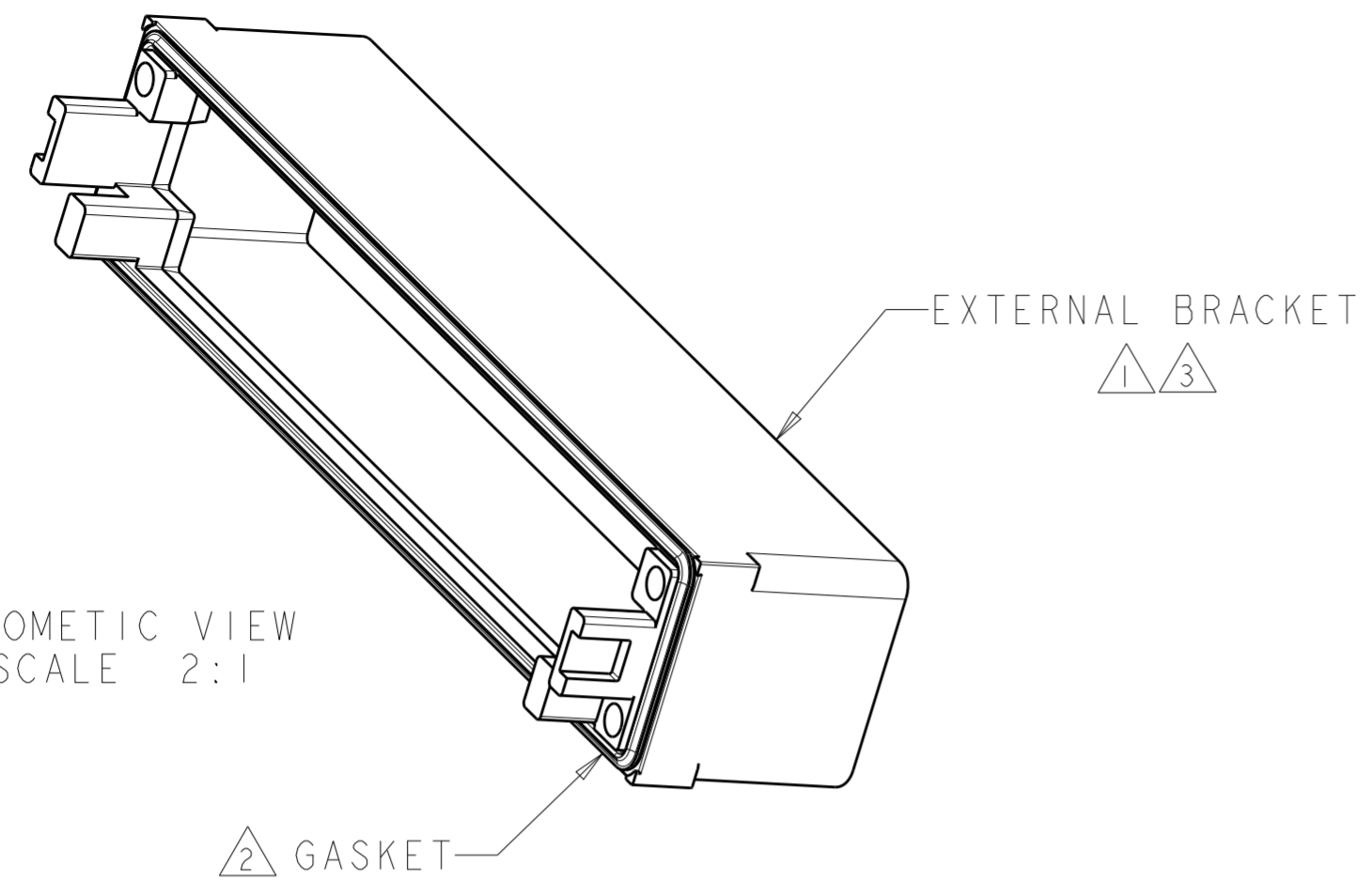
Address: A1208, Overseas Decoration Building, #122 Zhenhua RD., Futian, Shenzhen, China



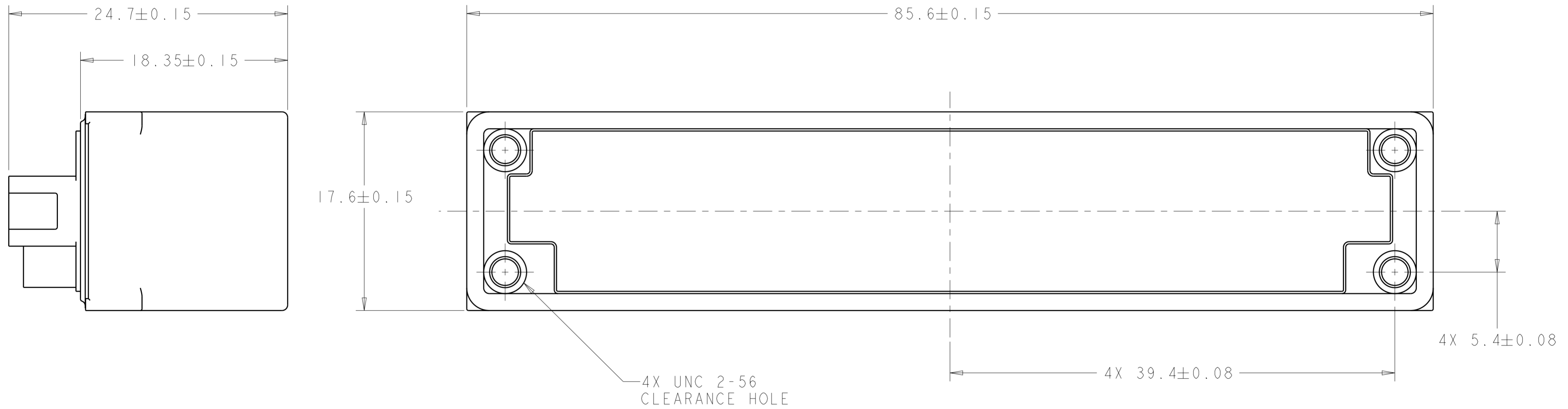
THIS DRAWING IS UNPUBLISHED. RELEASED FOR PUBLICATION 20
 © COPYRIGHT 20 BY - ALL RIGHTS RESERVED.

LOC	DIST	REVISIONS					
GP	00	P	LTR	DESCRIPTION	DATE	DWN	APVD
			10	UPDATED VIEWS	04MAR2013	CJV	MRS

D
C
B
A



- ① MATERIAL: ZINC ALLOY PER ASTM B 86. ALLOY AG40A.
- ② MATERIAL: CHOMERICS CHO-SEAL 1270, SILVER PLATED COPPER IN SILICONE.
- ③ FINISH: 1.27µm MIN NICKEL PLATE PER QQ-N-290 OVER 5.08µm MIN COPPER PLATE PER AMS 2418.



2057626-1
PART NUMBER

THIS DRAWING IS A CONTROLLED DOCUMENT. DIMENSIONING AND TOLERANCING PER ASME Y14.5M-2009		DWN C. VALENTINE 06NOV2008	TE Connectivity	
DIMENSIONS: mm		CHK E. BRIGHT 06NOV2008		
TOLERANCES UNLESS OTHERWISE SPECIFIED:		APVD E. BRIGHT 06NOV2008	NAME EXTERNAL BRACKET ASSEMBLY MODULE, CFP PLUGGABLE	
0 PLC ±	1 PLC ±	PRODUCT SPEC	SIZE	RESTRICTED TO
2 PLC ±	3 PLC ±	APPLICATION SPEC	A200779	
4 PLC ±	ANGLES ±	WEIGHT	C-2057626	
FINISH		CUSTOMER DRAWING	SCALE 4:1	SHEET 1 OF 1 REV 10