



Chipsmall Limited consists of a professional team with an average of over 10 year of expertise in the distribution of electronic components. Based in Hongkong, we have already established firm and mutual-benefit business relationships with customers from,Europe,America and south Asia,supplying obsolete and hard-to-find components to meet their specific needs.

With the principle of "Quality Parts,Customers Priority,Honest Operation,and Considerate Service",our business mainly focus on the distribution of electronic components. Line cards we deal with include Microchip,ALPS,ROHM,Xilinx,Pulse,ON,Everlight and Freescale. Main products comprise IC,Modules,Potentiometer,IC Socket,Relay,Connector.Our parts cover such applications as commercial,industrial, and automotives areas.

We are looking forward to setting up business relationship with you and hope to provide you with the best service and solution. Let us make a better world for our industry!



Contact us

Tel: +86-755-8981 8866 Fax: +86-755-8427 6832

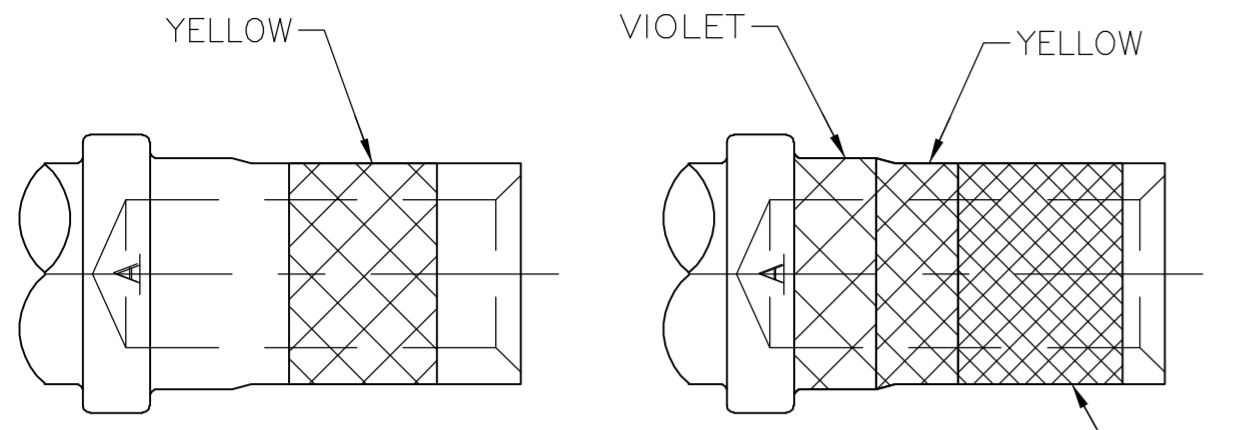
Email & Skype: info@chipsmall.com Web: www.chipsmall.com

Address: A1208, Overseas Decoration Building, #122 Zhenhua RD., Futian, Shenzhen, China



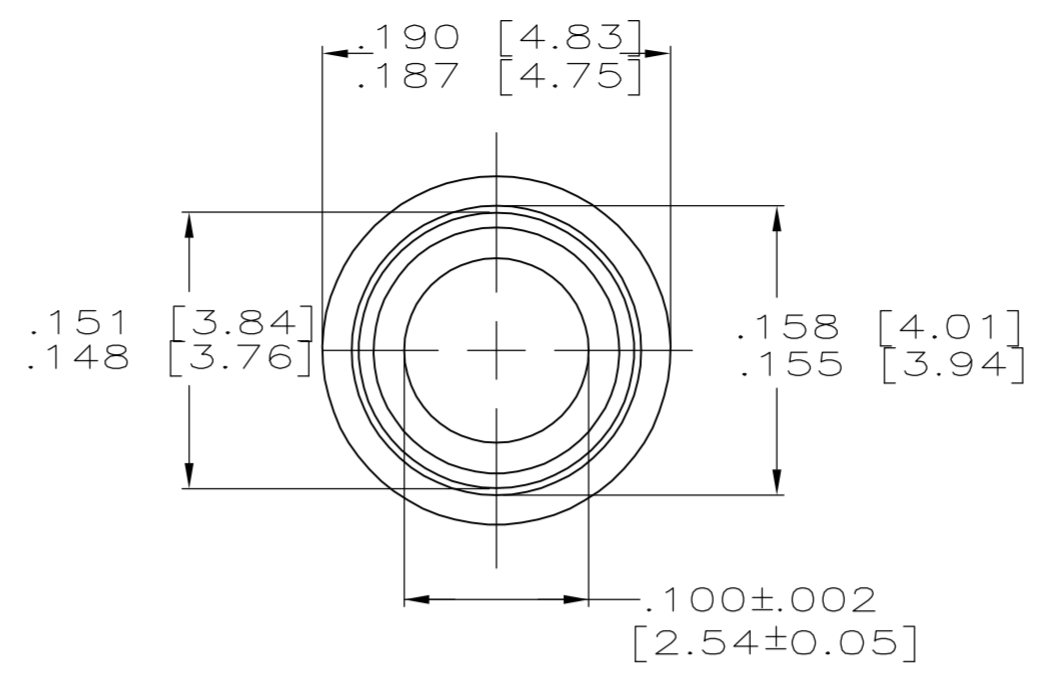
THIS DRAWING IS UNPUBLISHED. RELEASED FOR PUBLICATION
 © COPYRIGHT BY TYCO ELECTRONICS CORPORATION. ALL RIGHTS RESERVED.

LOC	DIST	REVISIONS					
DF	A0	P	LTR	DESCRIPTION	DATE	DWN	APVD
		P		REV PER EC 0H14-0154-04	24JAN06	TK	CT

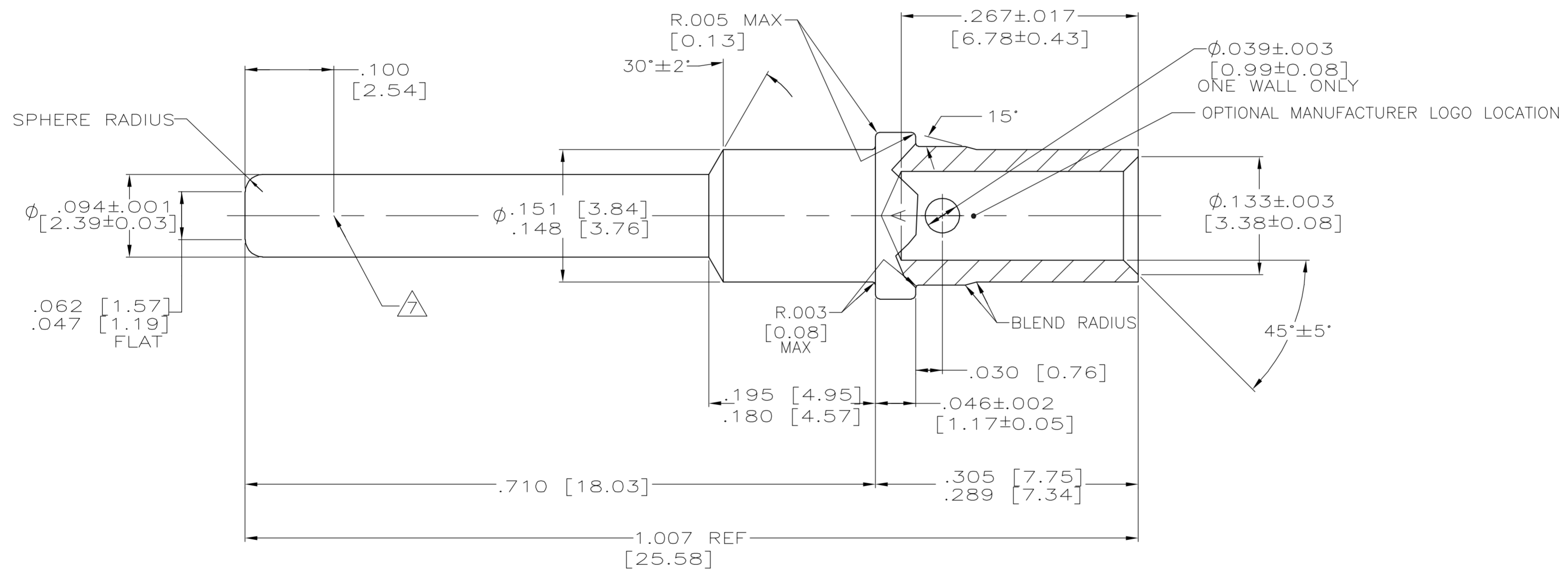


DETAIL B
-5 ONLY
SCALE 8:1

DETAIL A
-3 & -7 ONLY
SCALE 8:1
BIN CODE NO. 147



VIEW T-T



- ▲ GOLD PLATED PER MIL-G-45204 OVER NICKEL PER QQ-N-290.
- ▲ SILVER PLATED PER QQ-S-365.
- ▲ COLOR CODED AS SHOWN IN DETAIL A.
- ▲ SINGLE COLOR CODE AS SHOWN IN DETAIL B.
- ▲ GRAPHITE COATED, NO COLOR CODE.
- ▲ MAT'L: LEADED COPPER PER ASTM-B-152.
- ▲ POINT OF PLATING THICKNESS MEASUREMENT.

OBSOLETE	▲3	▲2	205763-7
	▲4	▲1	205763-5
OBSOLETE	▲5	▲1	205763-4
OBSOLETE	▲3	▲1	205763-3
	REMARKS	FINISH	PART NUMBER

THIS DRAWING IS A CONTROLLED DOCUMENT.		DWN C.C.THOMAS 12-15-95	Tyco Electronics Corporation Harrisburg, PA 17105-3608	
DIMENSIONS: INCHES		CHK A.SHARPE 4-11-96		
TOLERANCES UNLESS OTHERWISE SPECIFIED:		APVD A.SHARPE 4-11-96	NAME	
0 PLC ± -		PRODUCT SPEC	PIN CONTACT SIZE 12,ARINC TYPE XVII-RM	
1 PLC ± -		APPLICATION SPEC	SIZE	CAGE CODE
2 PLC ± -			A2	00779
3 PLC ± .005 [0.13]			DRAWING NO	RESTRICTED TO
4 PLC ± -			C=205763	-
ANGLES ± 2°		WEIGHT	SCALE	SHEET
FINISH			10:1	1 of 1
MATERIAL ▲6		CUSTOMER DRAWING	REV	P
SEE TABLE				