



Chipsmall Limited consists of a professional team with an average of over 10 year of expertise in the distribution of electronic components. Based in Hongkong, we have already established firm and mutual-benefit business relationships with customers from,Europe,America and south Asia,supplying obsolete and hard-to-find components to meet their specific needs.

With the principle of “Quality Parts,Customers Priority,Honest Operation,and Considerate Service”,our business mainly focus on the distribution of electronic components. Line cards we deal with include Microchip,ALPS,ROHM,Xilinx,Pulse,ON,Everlight and Freescale. Main products comprise IC,Modules,Potentiometer,IC Socket,Relay,Connector.Our parts cover such applications as commercial,industrial, and automotives areas.

We are looking forward to setting up business relationship with you and hope to provide you with the best service and solution. Let us make a better world for our industry!



Contact us

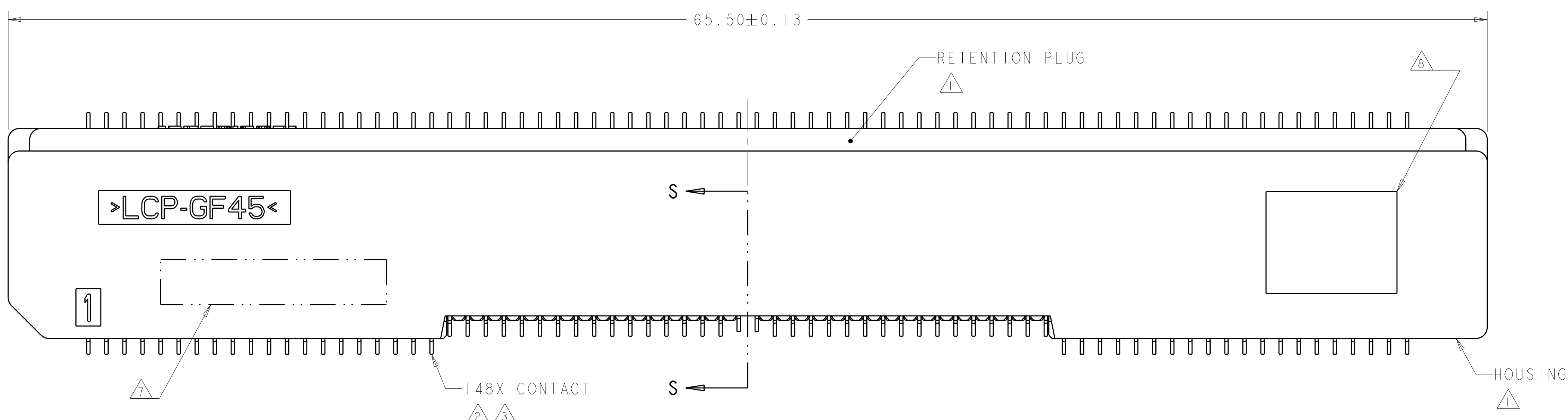
Tel: +86-755-8981 8866 Fax: +86-755-8427 6832

Email & Skype: info@chipsmall.com Web: www.chipsmall.com

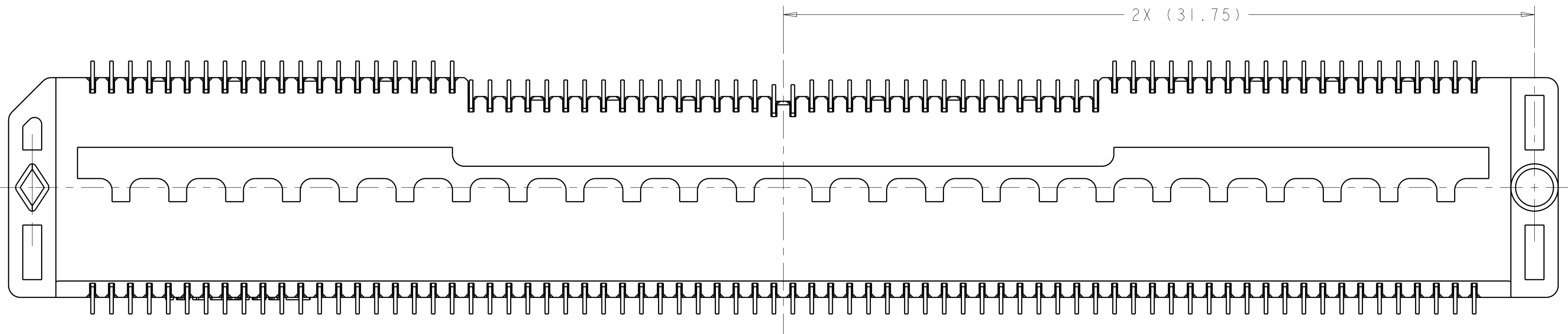
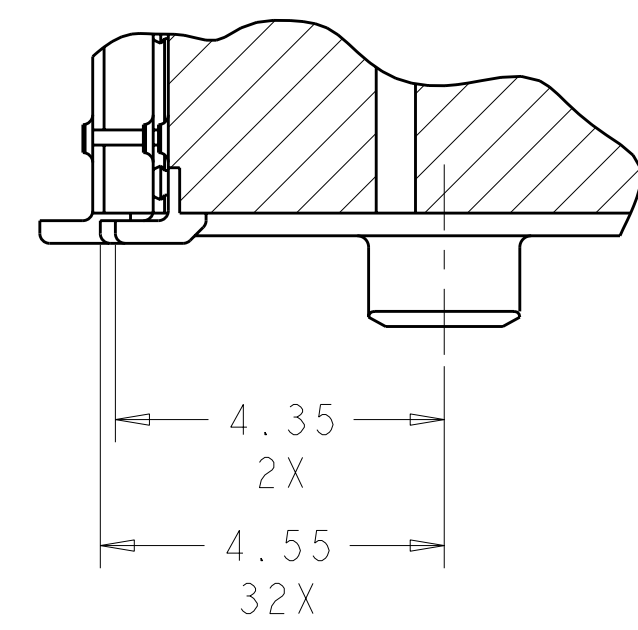
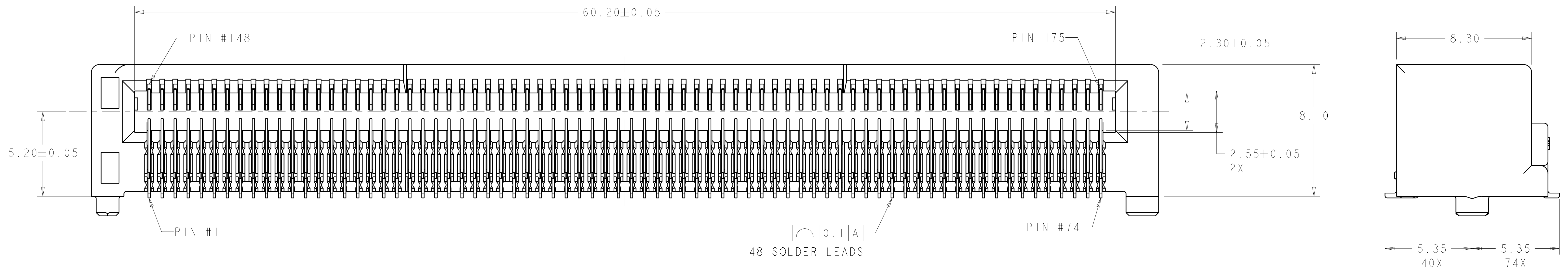
Address: A1208, Overseas Decoration Building, #122 Zhenhua RD., Futian, Shenzhen, China



LOC	DIST	REVISIONS			
GP	00	REV	DATE	DWN	APVD
		A	RELEASED PER ECO-12-006362	11MAY2012	CJV MRS



- 1 HOUSING AND RETENTION PLUG MATERIAL: POLYESTER LCP.
- 2 CONTACT MATERIAL: COPPER ALLOY.
- 3 CONTACT FINISH: CONFORMS TO THE REQUIREMENTS OF TE CONNECTIVITY PRODUCT SPECIFICATION 108-2399. BASED ON EIA/ECA-364-1000.01A, (CONTROLLED ENVIRONMENT APPLICATIONS) ON MATING END, GOLD FLASH ON SOLDER TAILS.
- 4 DATUMS AND BASIC DIMENSIONS ARE TO BE ESTABLISHED BY CUSTOMERS FIDUCIALS.
- 5 OPTIONAL HOLES FOR M3x0.5 SCREW/STANDOFFS.
- 6 BELLY TO BELLY PCB THICKNESS: 3.40±0.40mm.
- 7 PART NUMBER AND DATE CODE MARKED IN APPROXIMATE AREA SHOWN.
- 8 MANUFACTURER'S LOGO APPROXIMATELY AS SHOWN.

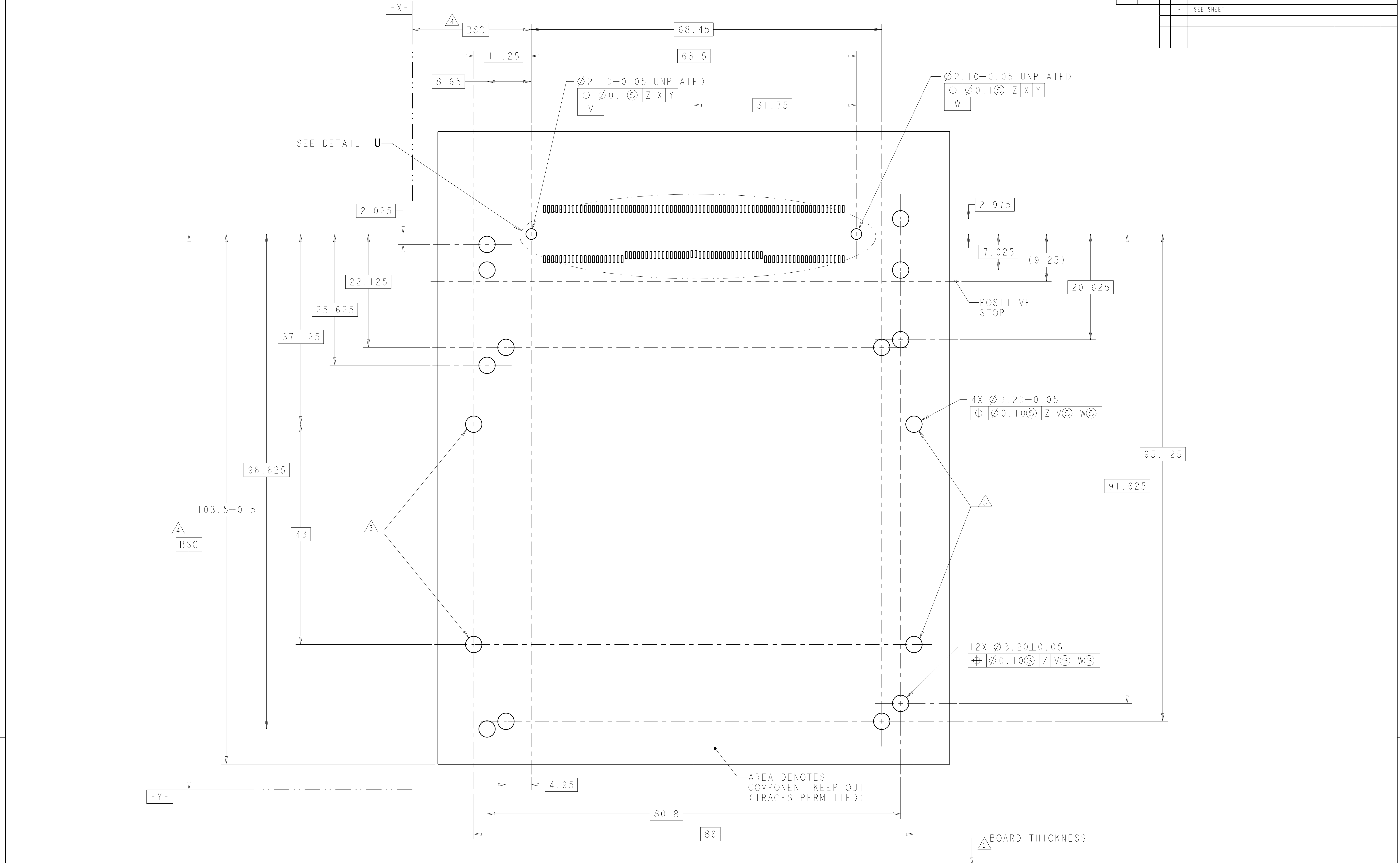


2057630-1
 PART NUMBER

THIS DRAWING IS A CONTROLLED DOCUMENT. DIMENSIONING AND TOLERANCING PER ASME Y14.5M-2009.		DWN P. KERLIN 08NOV2008	TE Connectivity	
DIMENSIONS: mm		CHK E. BRIGHT 08NOV2008	RECEPTACLE ASSEMBLY, HOST, CFP PLUGGABLE	
TOLERANCES UNLESS OTHERWISE SPECIFIED:		APVD	NAME	
0 PLC	±	PRODUCT SPEC	108-2399	
1 PLC	±0.10	APPLICATION SPEC	114-13263	
2 PLC	±	WEIGHT	A100779C=2057630	
3 PLC	±	CUSTOMER DRAWING	SCALE 8:1 SHEET 1 OF 3 REV A	
4 PLC	±			
ANGLES	±			
FINISH	SEE NOTES			

LOC	DIST	REV	DATE	BY	APPD
GP	00				

REVISIONS			
NO.	DESCRIPTION	DATE	BY
1	SEE SHEET 1		

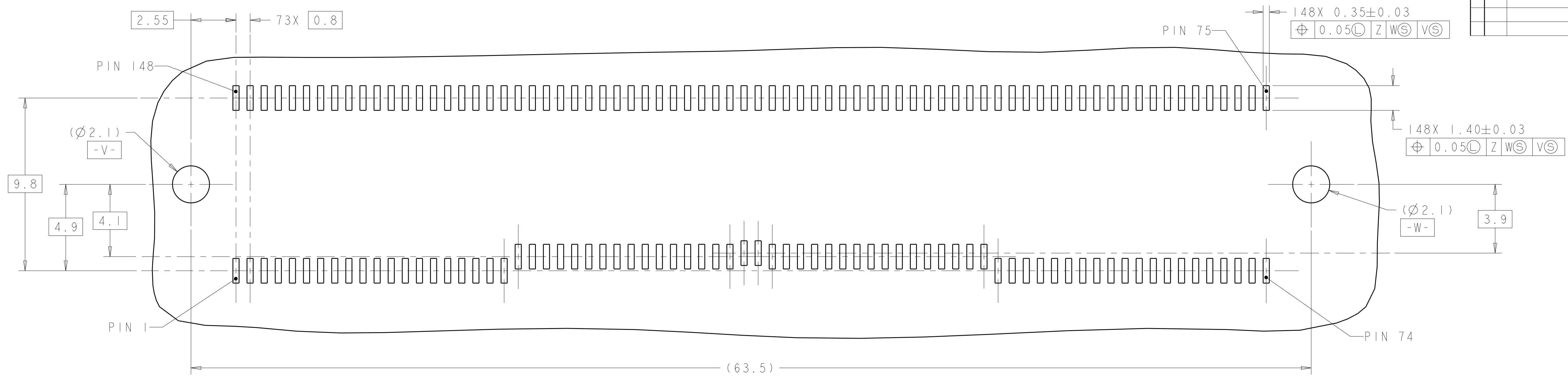


RECOMMENDED PCB LAYOUT FOR SINGLE SIDE MOUNTING
SCALE 3:1

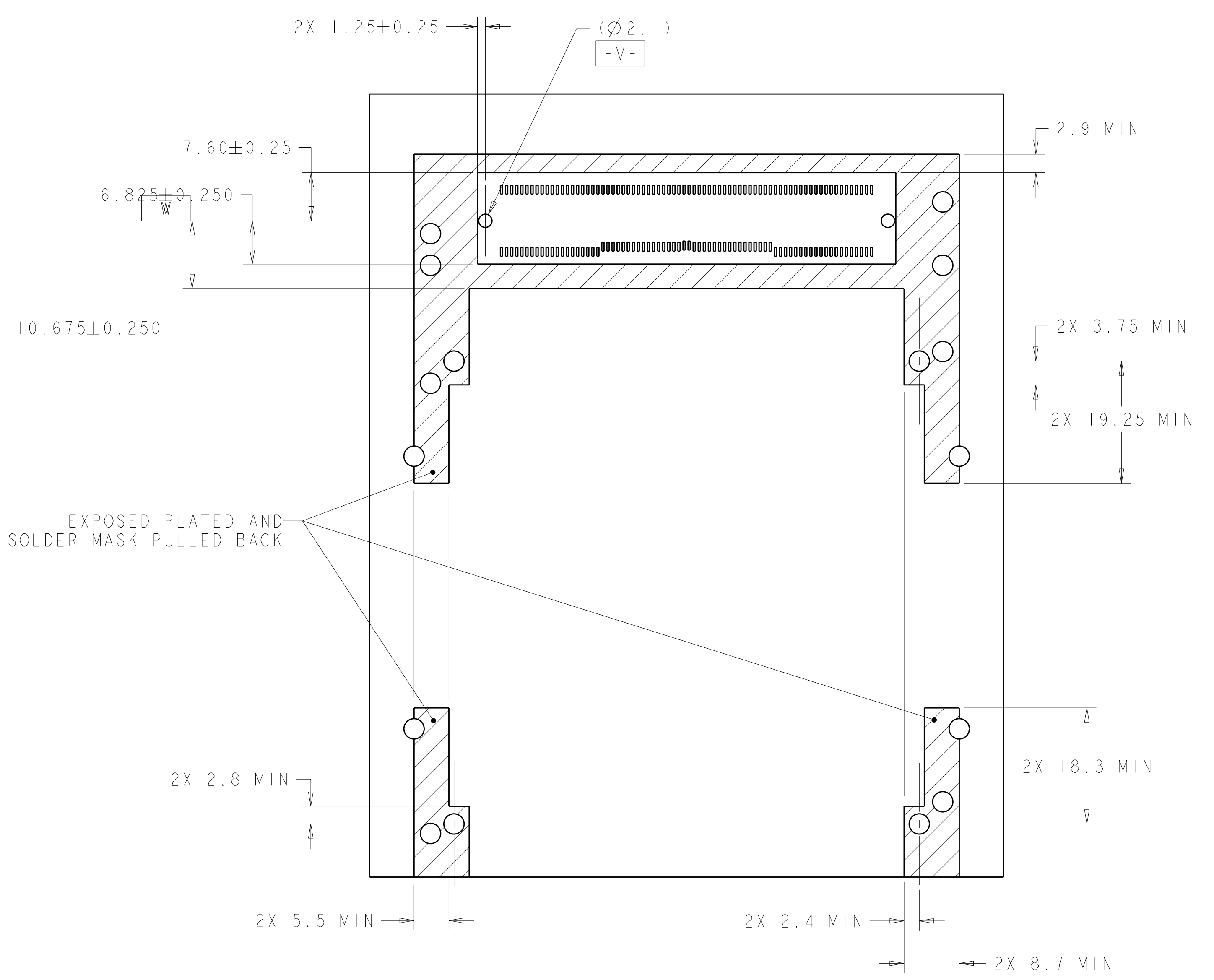
THIS DRAWING IS A CONTROLLED DOCUMENT. DIMENSIONING AND TOLERANCING PER ASME Y14.5M-2009.		DWG P. KERLIN 08NOV2008	TE Connectivity
DIMENSIONS: mm		CHK E. BRIGHT 08NOV2008	
TOLERANCES UNLESS OTHERWISE SPECIFIED:		APVD	NAME
0 PLC	±	PRODUCT SPEC	RECEPTACLE ASSEMBLY, HOST, CFP PLUGGABLE
1 PLC	±0.10	108-2399	
2 PLC	±	APPLICATION SPEC	
3 PLC	±	114-13263	SIZE CAGE CODE DRAWING NO
4 PLC	±	WEIGHT	A100779C=2057630
ANGLES	±	CUSTOMER DRAWING	RESTRICTED TO
MATERIAL SEE NOTES	FINISH SEE NOTES	SCALE 8:1	SHEET 2 OF 3
		REV A	

LOC	DIST	REV	DATE	BY	APVD
GP	00				

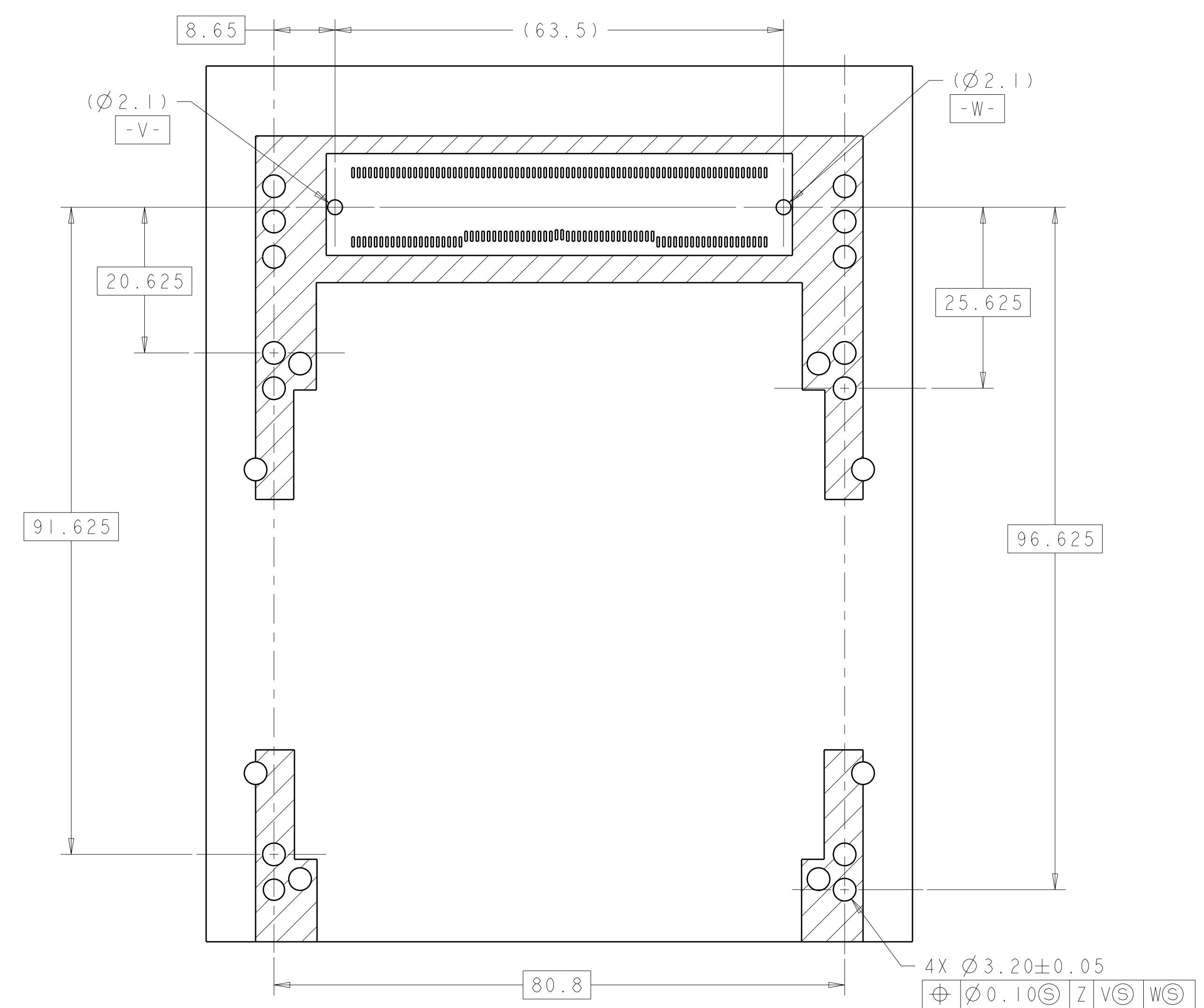
REVISIONS		DATE	BY	APVD
1	SEE SHEET 1			



DETAIL U
RECOMMENDED HOST CONNECTOR PCB LAYOUT
SCALE 8:1



RECOMMENDED COMPONENT AND TRACE KEEPOUT AREA
SCALE 2:1



RECOMMENDED PCB LAYOUT FOR BELLY TO BELLY MOUNT,
SAME AS SINGLE SIDE MOUNT EXCEPT AS SHOWN
SCALE 2:1

THIS DRAWING IS A CONTROLLED DOCUMENT. DIMENSIONING AND TOLERANCING PER ASME Y14.5M-2009.		DWN P. KERLIN 08NOV2008 CHK E. BRIGHT 08NOV2008 APVD -	NAME RECEPTACLE ASSEMBLY, HOST, CFP PLUGGABLE
DIMENSIONS: mm	TOLERANCES UNLESS OTHERWISE SPECIFIED: 9 PLC ± 1 PLC ±0.10 5 PLC ± 4 PLC ± ANGLES ±	PRODUCT SPEC 108-2399 APPLICATION SPEC 114-13263	SIZE CAGE CODE DRAWING NO A100779C=2057630
MATERIAL SEE NOTES	FINISH SEE NOTES	WEIGHT CUSTOMER DRAWING	RESTRICTED TO SCALE 8:1 SHEET 3 OF 3 REV A