



Chipsmall Limited consists of a professional team with an average of over 10 year of expertise in the distribution of electronic components. Based in Hongkong, we have already established firm and mutual-benefit business relationships with customers from,Europe,America and south Asia,supplying obsolete and hard-to-find components to meet their specific needs.

With the principle of “Quality Parts,Customers Priority,Honest Operation,and Considerate Service”,our business mainly focus on the distribution of electronic components. Line cards we deal with include Microchip,ALPS,ROHM,Xilinx,Pulse,ON,Everlight and Freescale. Main products comprise IC,Modules,Potentiometer,IC Socket,Relay,Connector.Our parts cover such applications as commercial,industrial, and automotives areas.

We are looking forward to setting up business relationship with you and hope to provide you with the best service and solution. Let us make a better world for our industry!



Contact us

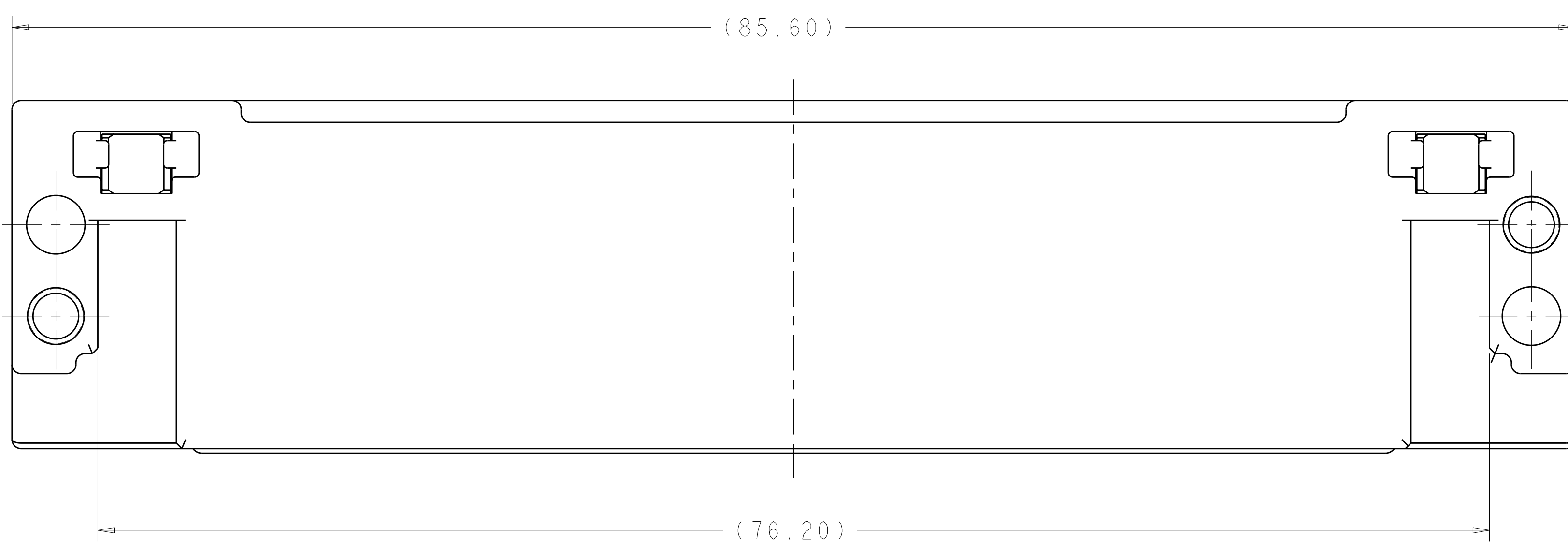
Tel: +86-755-8981 8866 Fax: +86-755-8427 6832

Email & Skype: info@chipsmall.com Web: www.chipsmall.com

Address: A1208, Overseas Decoration Building, #122 Zhenhua RD., Futian, Shenzhen, China

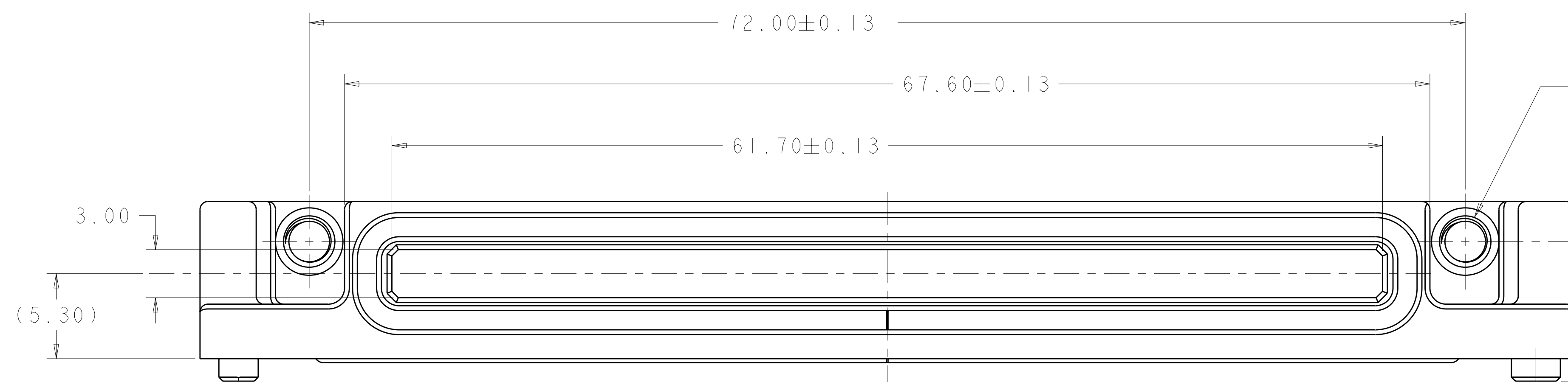


LOC	DIST	REV	DATE	BY	APPV
GP	00	A	14MAY2012	CJV	MRS
		REVISIONS			
		DESCRIPTION	DATE	DWN	APPV
		RELEASED PER ECO-12-006362	14MAY2012	CJV	MRS



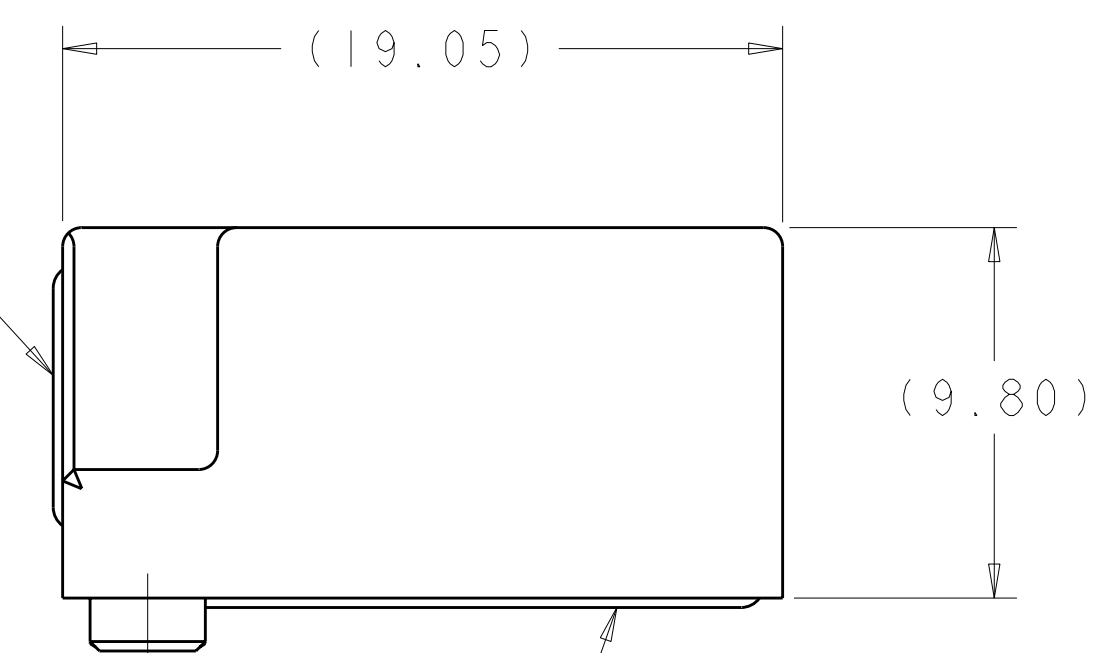
- △ ZINC ALLOY PER ASTM-B-86, ALLOY AG40A.
- △ NICKEL PLATE PER QQ-N-290.
- △ CHO SEAL 1273 SILVER PLATED COPPER IN SILICONE.
- △ STAINLESS STEEL PER ASTM-A-582, TYPE 303.
- △ ONE-PART SILICONE ADHESIVE.

RECEPTACLE COVER
 △△



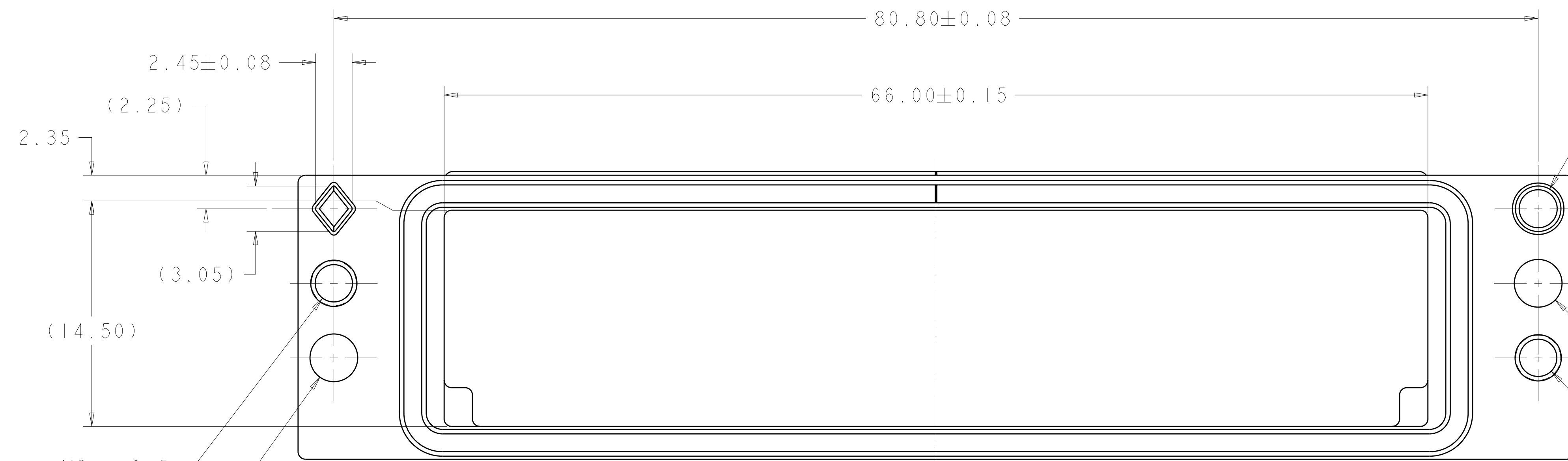
△4
 THREADED INSERT

△3 △5
 INTERFACE GASKET



△ PCB GASKET

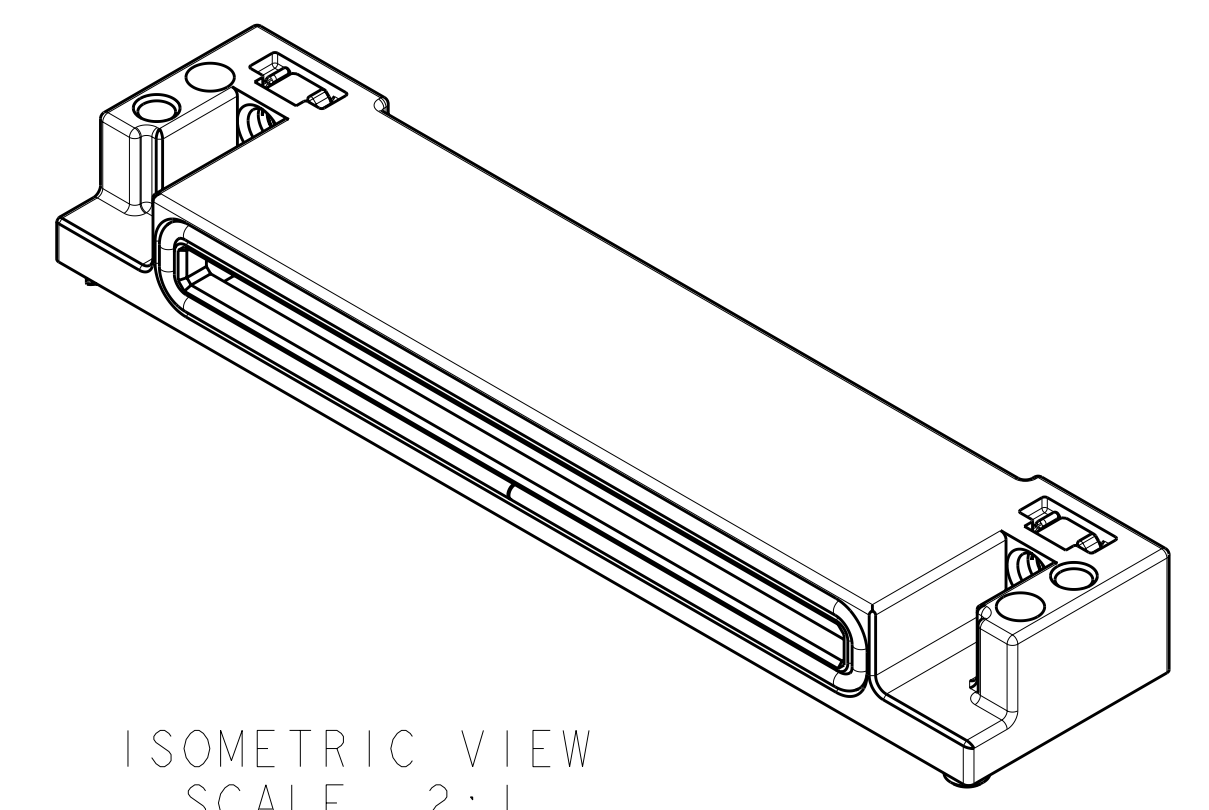
2X 1.40



M3x0.5
 TAPPED HOLE

M3 x 0.5
 TAPPED HOLE

Ø 3.20



2057631-1
 PART NUMBER

THIS DRAWING IS A CONTROLLED DOCUMENT. DIMENSIONING AND TOLERANCING PER ASME Y14.5M-2009.		DWN P. KERLIN 07NOV2008	TE Connectivity	
DIMENSIONS: mm		CHK E. BRIGHT 07NOV2008	NAME COVER ASSEMBLY, HOST CONNECTOR, 100 GIG, CFP	
TOLERANCES UNLESS OTHERWISE SPECIFIED:		APVD	PRODUCT SPEC 108-2399	
Ø 3.05 ±0.05		APPLICATION SPEC 114-13263		SIZE CAGE CODE DRAWING NO. RESTRICTED TO
Ø 3.20 ±0.10		WEIGHT		A100779C=2057631
MATERIAL		CUSTOMER DRAWING		SCALE 5:1 SHEET 1 OF 1 REV A