



Chipsmall Limited consists of a professional team with an average of over 10 year of expertise in the distribution of electronic components. Based in Hongkong, we have already established firm and mutual-benefit business relationships with customers from,Europe,America and south Asia,supplying obsolete and hard-to-find components to meet their specific needs.

With the principle of “Quality Parts,Customers Priority,Honest Operation,and Considerate Service”,our business mainly focus on the distribution of electronic components. Line cards we deal with include Microchip,ALPS,ROHM,Xilinx,Pulse,ON,Everlight and Freescale. Main products comprise IC,Modules,Potentiometer,IC Socket,Relay,Connector.Our parts cover such applications as commercial,industrial, and automotives areas.

We are looking forward to setting up business relationship with you and hope to provide you with the best service and solution. Let us make a better world for our industry!



## Contact us

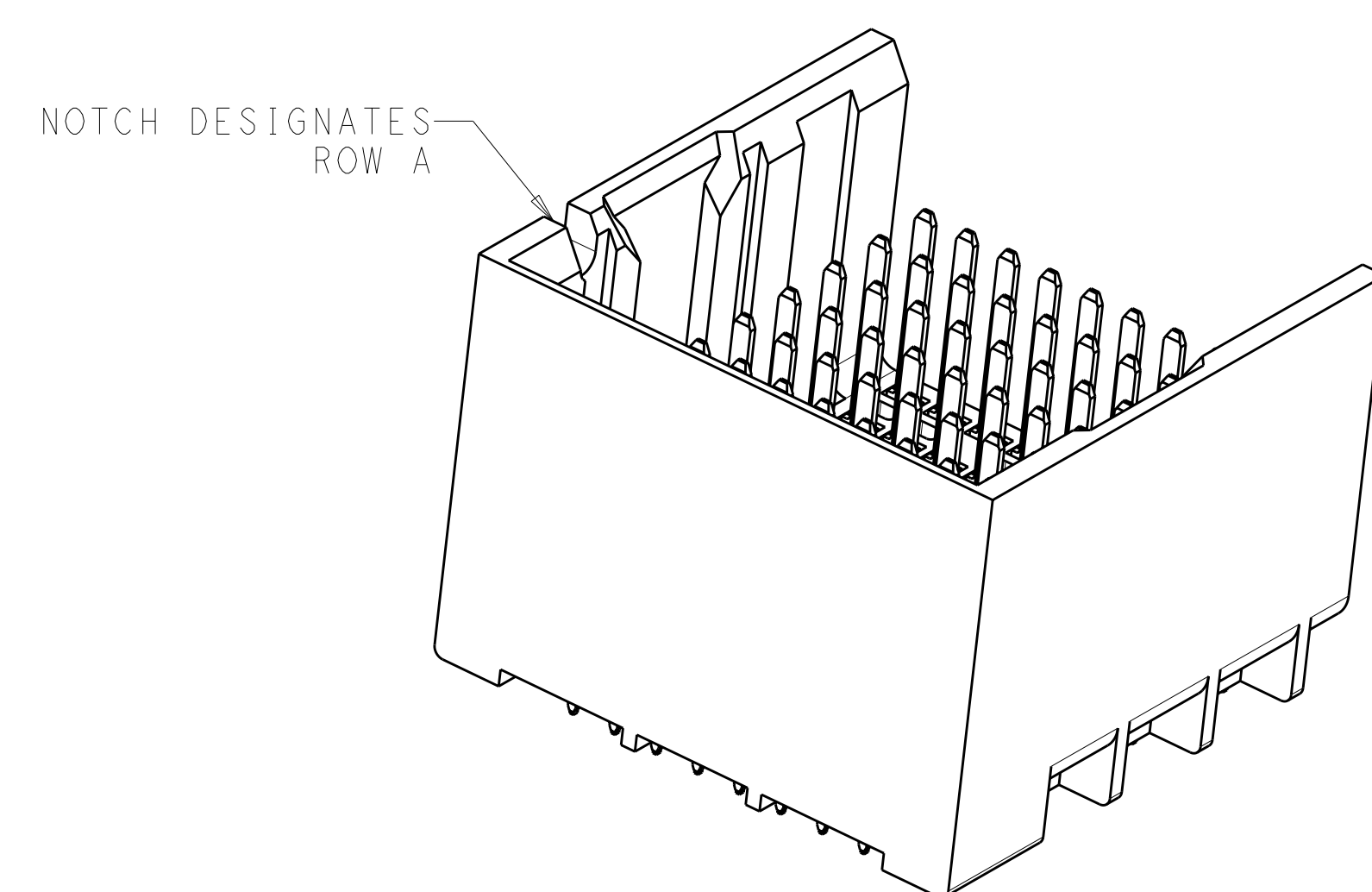
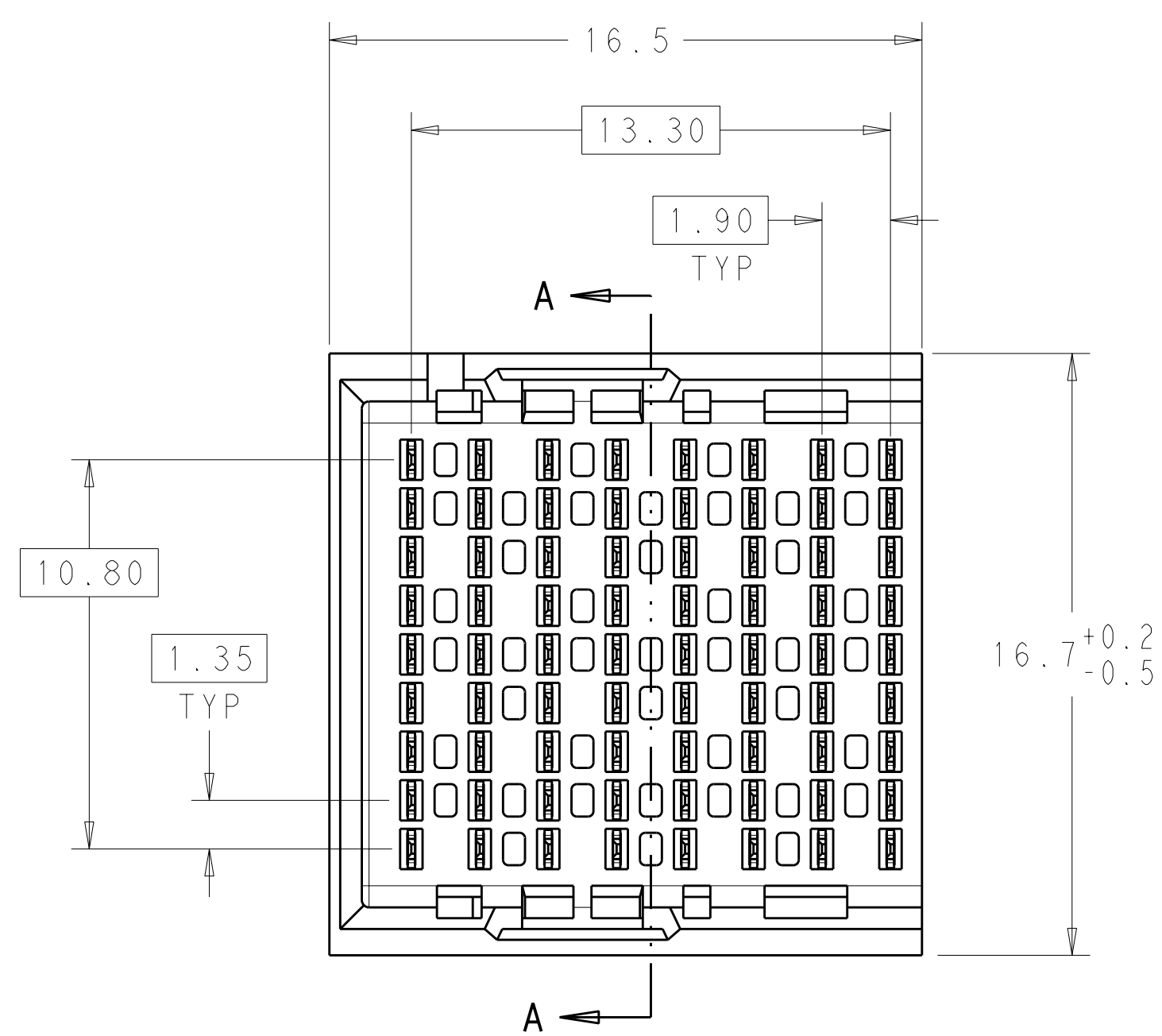
Tel: +86-755-8981 8866 Fax: +86-755-8427 6832

Email & Skype: info@chipsmall.com Web: www.chipsmall.com

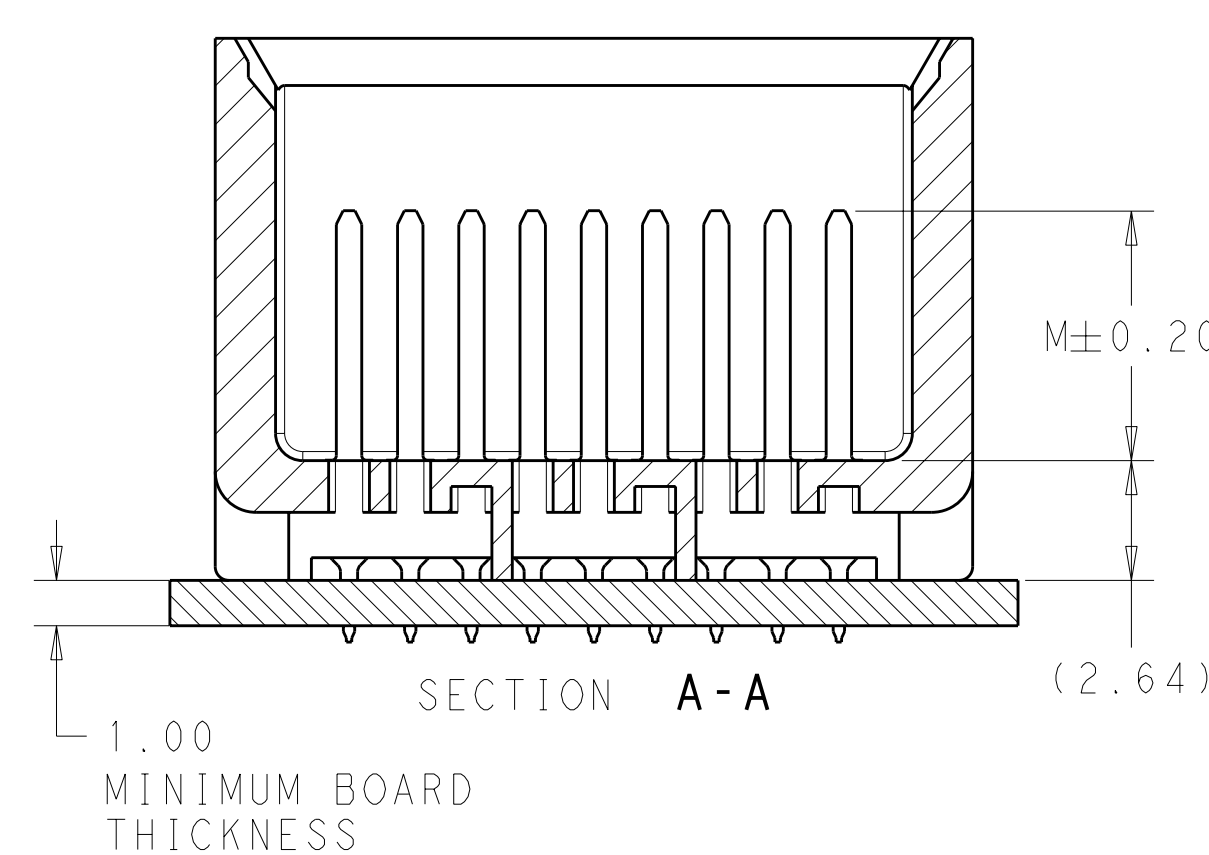
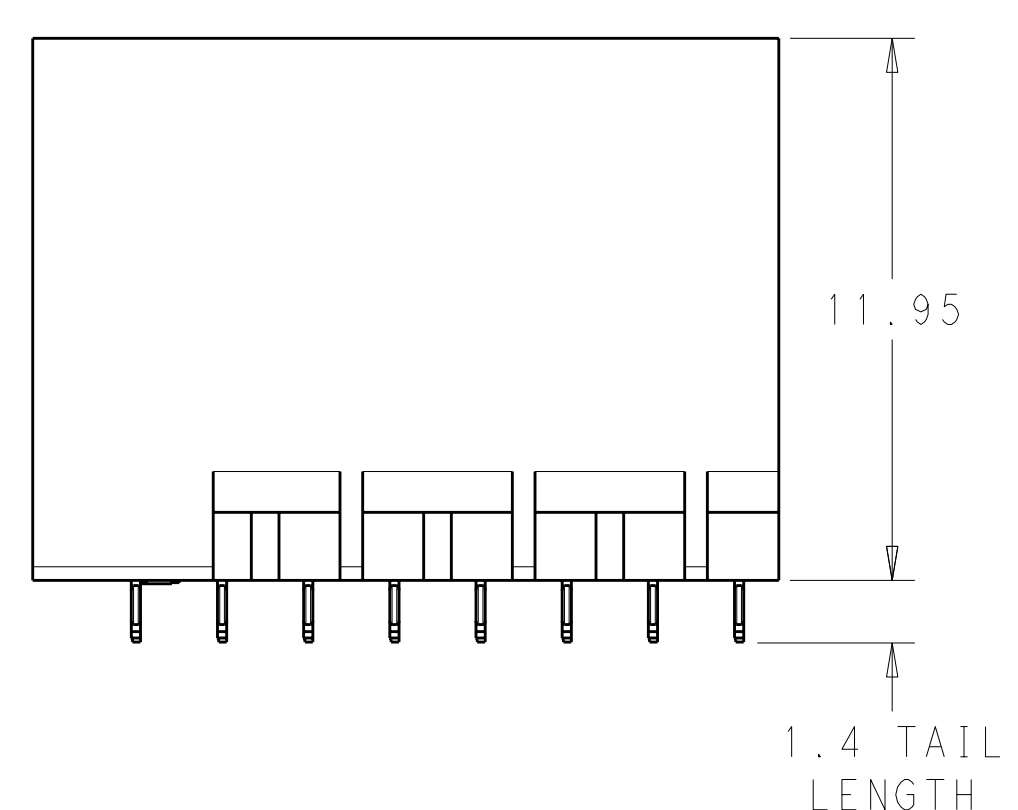
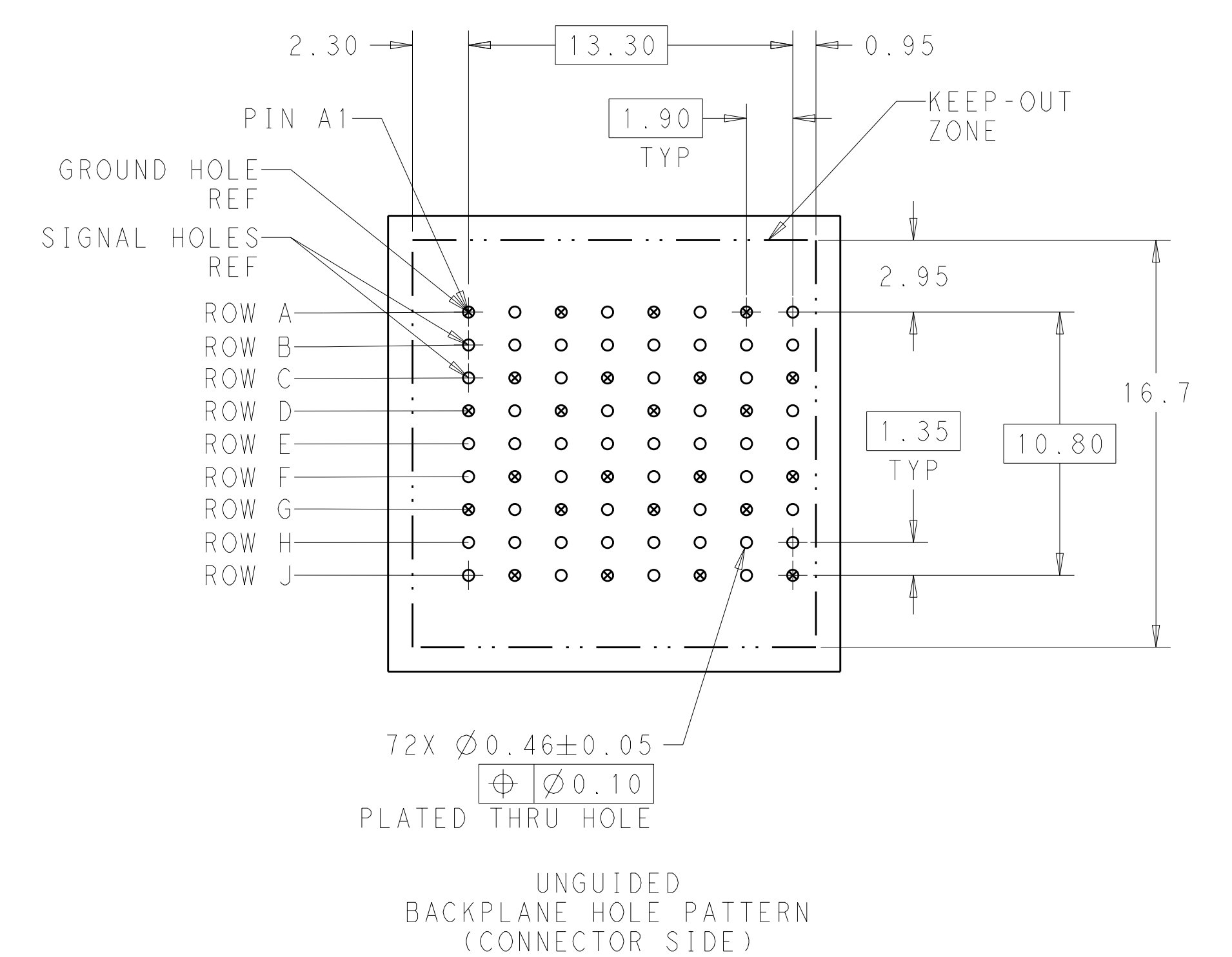
Address: A1208, Overseas Decoration Building, #122 Zhenhua RD., Futian, Shenzhen, China



LOC	DIST	REV	DATE	BY	APPD
AD	00	C	05JAN12	KH	DY
		REVISIONS			
		DESCRIPTION	DATE	DWN	APPD
		REVISD PER ECO-11-025276	05JAN12	KH	DY



- 1 MATERIAL:  
HOUSING: LCP, GLASS FILLED, UL94V-0.  
TERMINALS: HIGH PERFORMANCE COPPER ALLOY.
- 2 FINISH:  
30µ" MIN GOLD IN CONTACT AREA. SELECTIVE TIN  
ON PCB TAILS, NICKEL OVERALL.
- 3 FINISH:  
30µ" MIN GOLD IN CONTACT AREA. SELECTIVE TIN-LEAD  
ON PCB TAILS, NICKEL OVERALL.




THIS DRAWING IS A CONTROLLED DOCUMENT.		DWN J. K. SHOBER 11JAN2011	TE Connectivity
DIMENSIONS: mm		CHK J. EBY 11JAN2011	
TOLERANCES UNLESS OTHERWISE SPECIFIED:		APVD J. EBY 11JAN2011	NAME
0 PLC ±		PRODUCT SPEC	IMPACT, 3 PAIR, 8 COLUMN, HEADER
1 PLC ±0.25		APPLICATION SPEC	UNGUIDED, LEFT END WALL
2 PLC ±0.13		WEIGHT	SIGNAL MODULE, 0.46 PTH
3 PLC ±		FINISH	SIZE CAGE CODE DRAWING NO RESTRICTED TO
4 PLC ±		SEE TABLE	A100779C=2057761
ANGLES ±		CUSTOMER DRAWING	SCALE 6:1 SHEET 1 OF 2 REV C

THIS DRAWING IS UNPUBLISHED. RELEASED FOR PUBLICATION 20  
 © COPYRIGHT 20 . . . ALL RIGHTS RESERVED.

LOC	DIST	REVISIONS					
AD	00	P	LTB	DESCRIPTION	DATE	DWN	APVD
		-	-	SEE SHEET 1	-	-	-

FINISH	DIM M	PART NUMBER
$\triangle_3$	5.5	2057761-6
$\triangle_3$	4.9	2057761-5
$\triangle_3$	4.5	2057761-4
$\triangle_2$	5.5	2057761-3
$\triangle_2$	4.9	2057761-2
$\triangle_2$	4.5	2057761-1

REFER TO WWW.TE.COM  
FOR PRODUCT AVAILABILITY

THIS DRAWING IS A CONTROLLED DOCUMENT.		DWN J. K. SHOBER 11JAN2011	 TE Connectivity
DIMENSIONS: mm		CHK J. EABY 11JAN2011	
TOLERANCES UNLESS OTHERWISE SPECIFIED: 9 PLC ± .25 7 PLC ± 0.13 5 PLC ± . 4 PLC ± . ANGLES ± . FINISH SEE TABLE		APVD J. EABY 11JAN2011	NAME IMPACT, 3 PAIR, 8 COLUMN, HEADER UNGUIDED, LEFT END WALL SIGNAL MODULE, 0.46 PTH
MATERIAL -	WEIGHT -	PRODUCT SPEC -	APPLICATION SPEC -
CUSTOMER DRAWING		SIZE A100779	DRAWING NO C=2057761
SCALE 5:1		SHEET 2	OF 2
REV C			