



Chipsmall Limited consists of a professional team with an average of over 10 year of expertise in the distribution of electronic components. Based in Hongkong, we have already established firm and mutual-benefit business relationships with customers from,Europe,America and south Asia,supplying obsolete and hard-to-find components to meet their specific needs.

With the principle of "Quality Parts,Customers Priority,Honest Operation,and Considerate Service",our business mainly focus on the distribution of electronic components. Line cards we deal with include Microchip,ALPS,ROHM,Xilinx,Pulse,ON,Everlight and Freescale. Main products comprise IC,Modules,Potentiometer,IC Socket,Relay,Connector.Our parts cover such applications as commercial,industrial, and automotives areas.

We are looking forward to setting up business relationship with you and hope to provide you with the best service and solution. Let us make a better world for our industry!



Contact us

Tel: +86-755-8981 8866 Fax: +86-755-8427 6832

Email & Skype: info@chipsmall.com Web: www.chipsmall.com

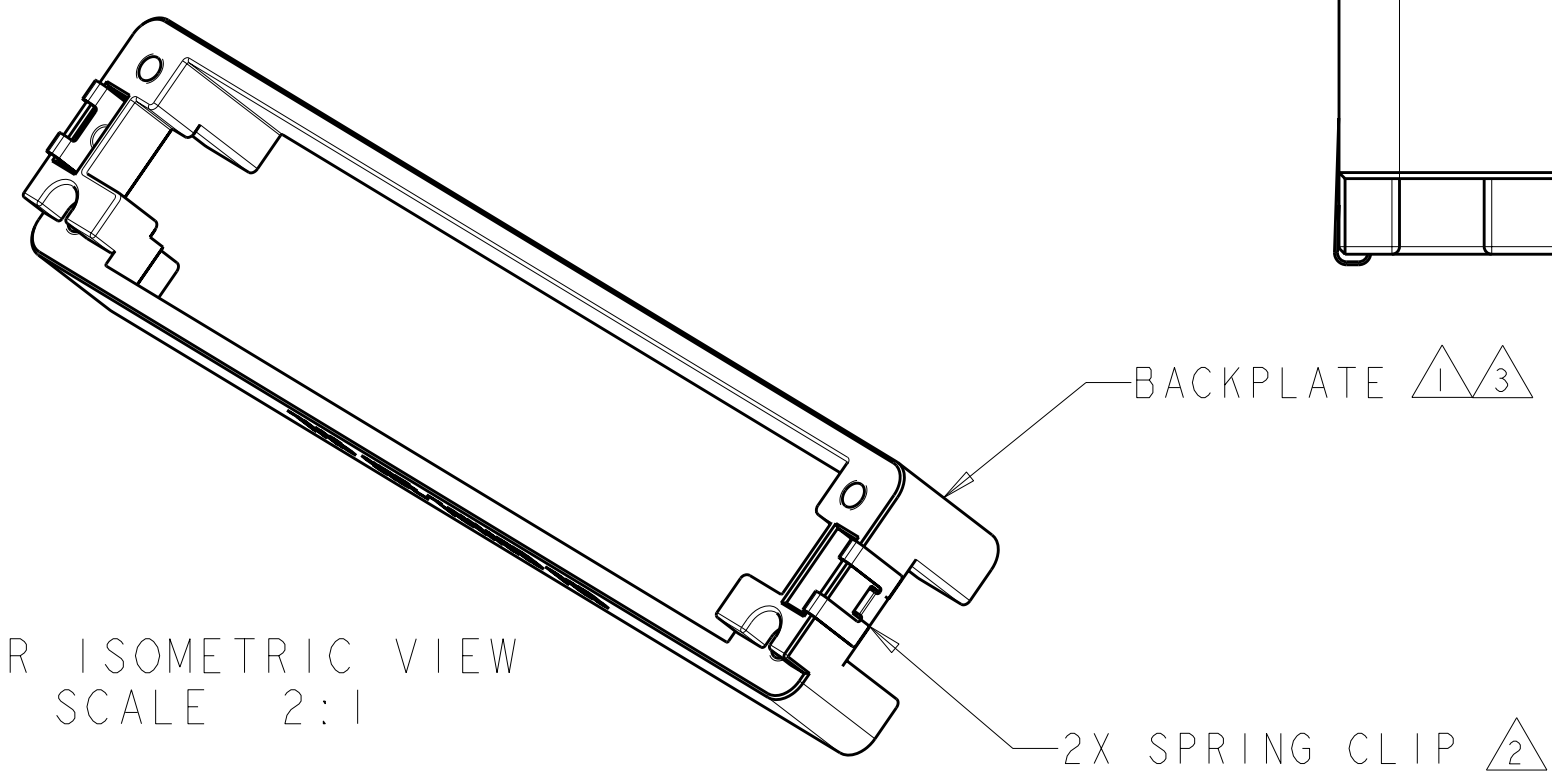
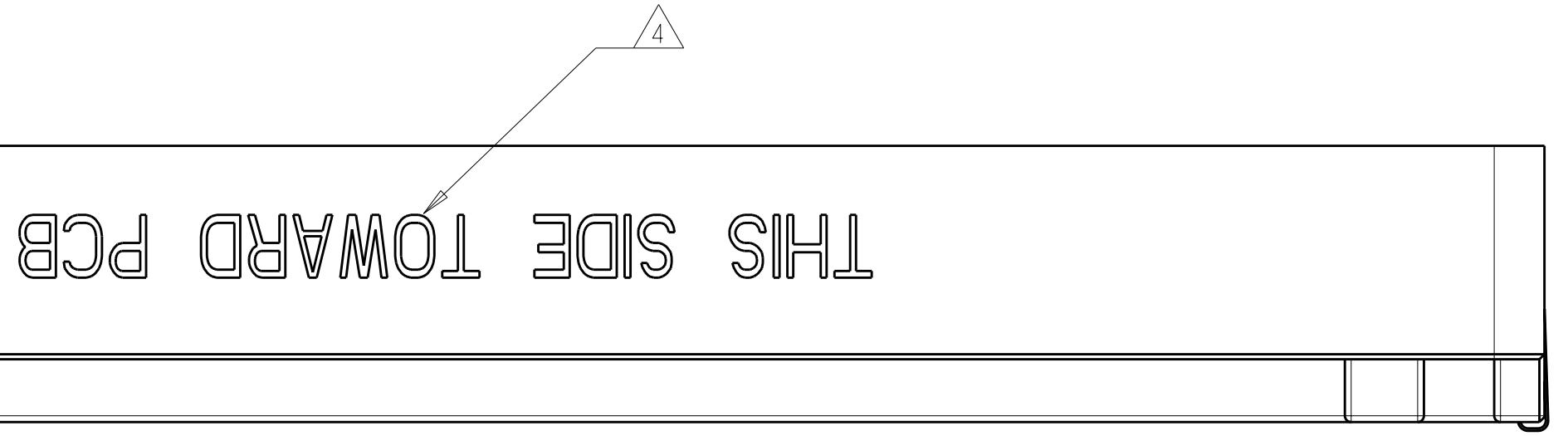
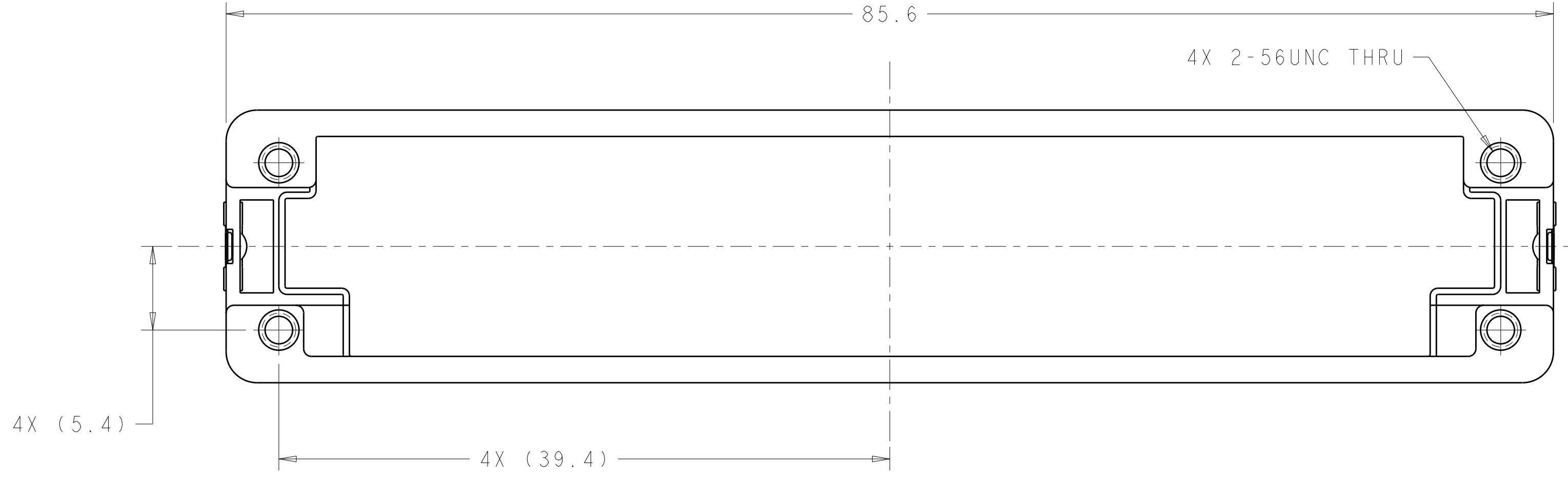
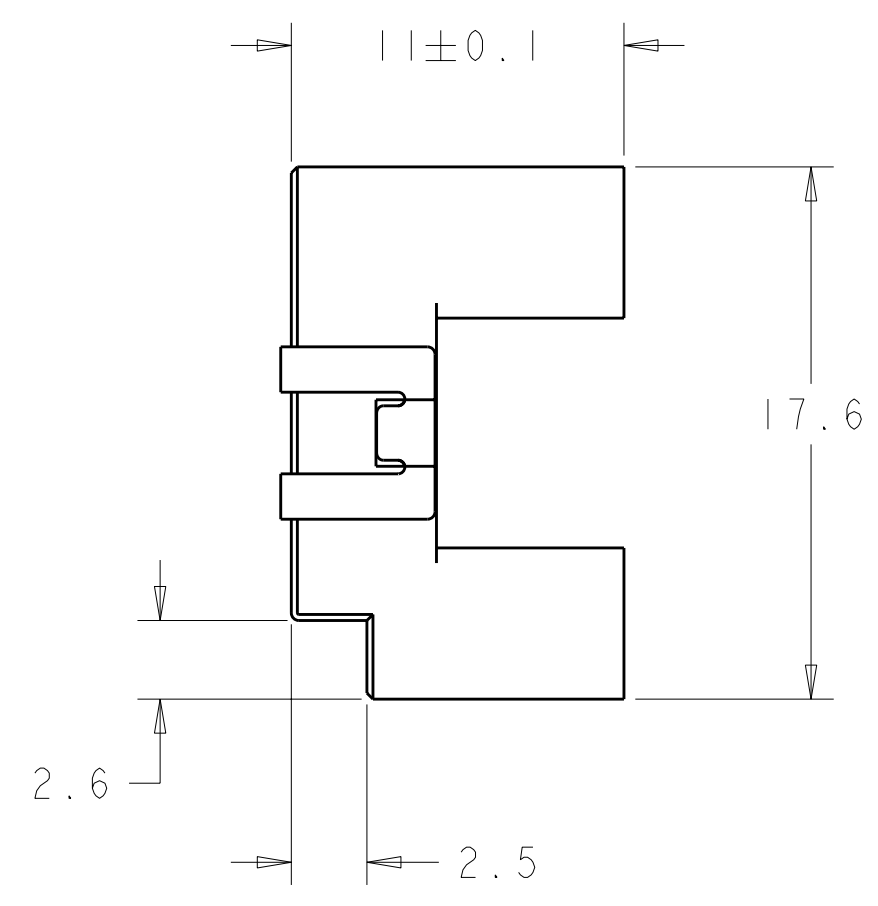
Address: A1208, Overseas Decoration Building, #122 Zhenhua RD., Futian, Shenzhen, China



THIS DRAWING IS UNPUBLISHED. RELEASED FOR PUBLICATION 20
 © COPYRIGHT 20 ALL RIGHTS RESERVED.

LOC	DIST	REVISIONS					
GP	00	P	LTR	DESCRIPTION	DATE	DWN	APVD
		A		RELEASED PER ECO-12-006362	14MAY2012	CJV	MRS

- ① ZINC ALLOY PER ASTM B 86. ALLOY AG40A.
- ② STAINLESS STEEL PER ASTM A 666. TYPE 11 OR TYPE 12.
- ③ 1.27µm MIN NICKEL PLATE PER QQ-N-290
OVER 5.08µm MIN COPPER PLATE PER AMS 2418.
- ④ TEXT INDICATES THIS SURFACE OF THE PART IS TO FACE TOWARD PCB.



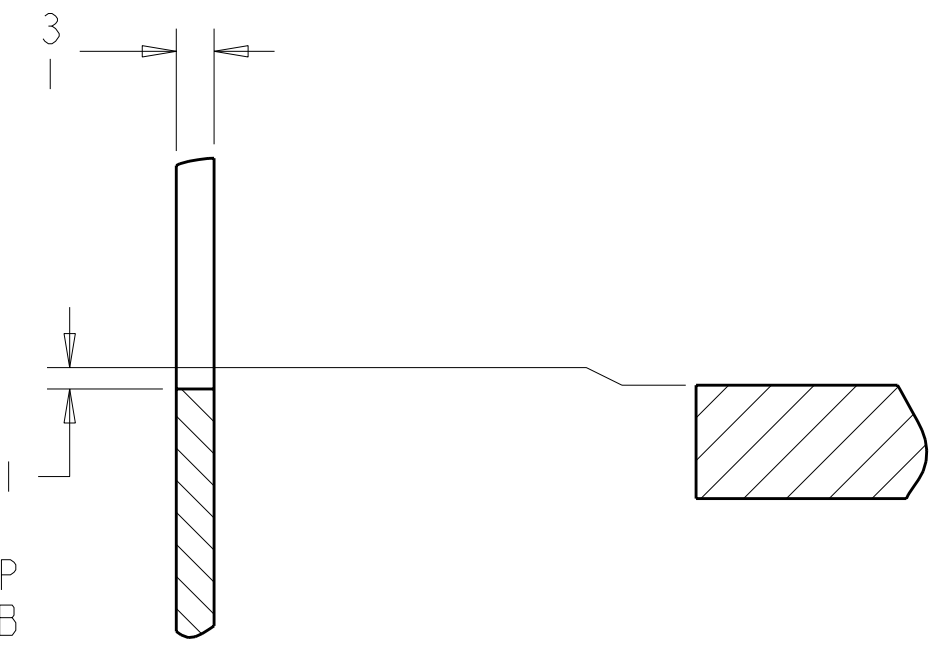
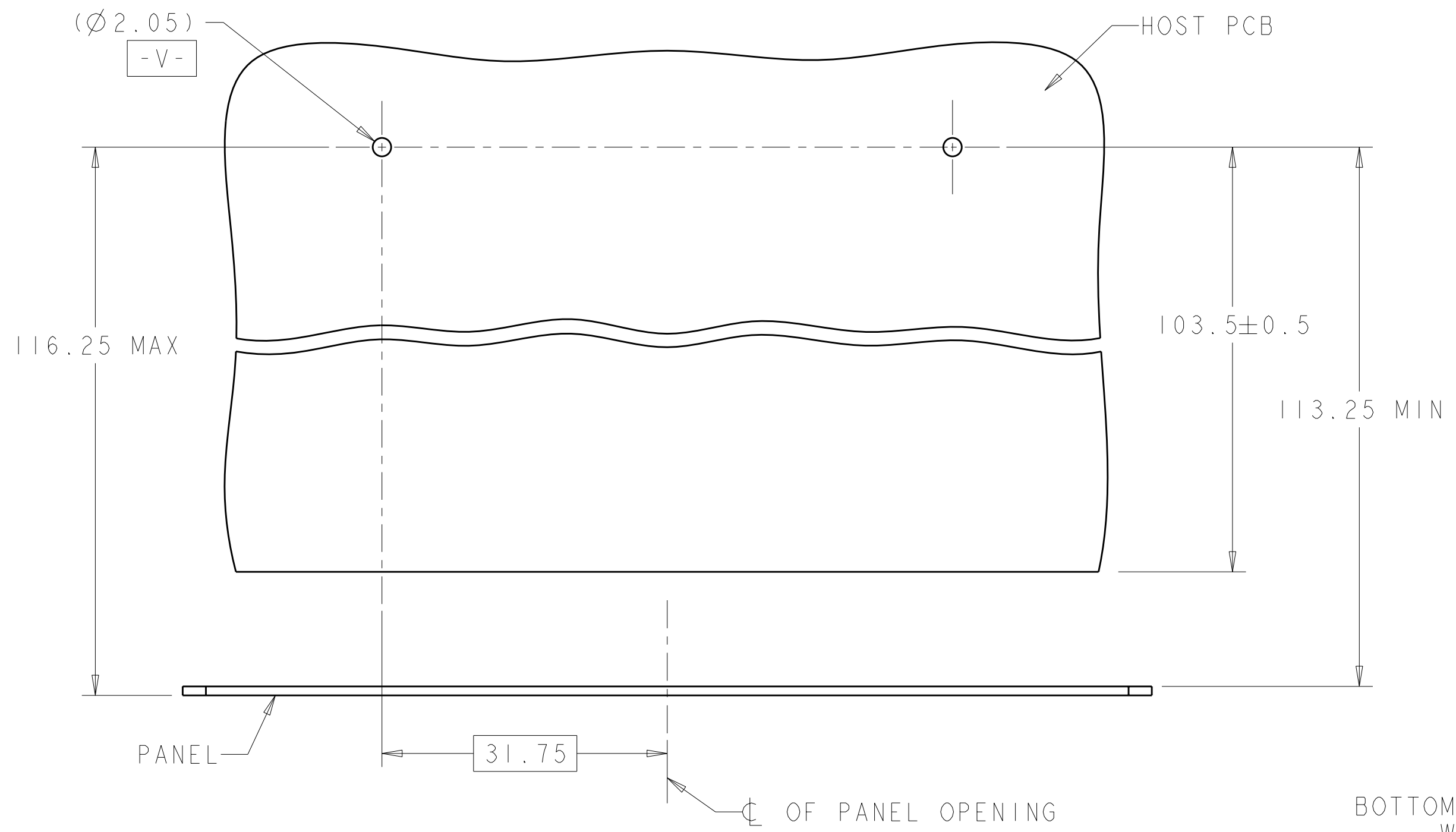
REAR ISOMETRIC VIEW
SCALE 2:1

2057930-1
PART NUMBER

THIS DRAWING IS A CONTROLLED DOCUMENT. DIMENSIONING AND TOLERANCING PER ASME Y14.5M-2009		DWN: 19DEC2008 C. VALENTINE	TE Connectivity	
DIMENSIONS: mm		CHK: 19DEC2008 E. BRIGHT		
TOLERANCES UNLESS OTHERWISE SPECIFIED:		APVD: 19DEC2008 E. BRIGHT	NAME: BACKER PLATE ASSEMBLY, 100 GIG PLUGGABLE	
0 PLC ±0.13 1 PLC ±0.1 2 PLC ±0.05 3 PLC ± 4 PLC ±		PRODUCT SPEC: 108-2399	SIZE: A200779	
ANGLES ± FINISH ±		APPLICATION SPEC: 114-13263	DRAWING NO: C-2057930	
MATERIAL: -		WEIGHT: -	RESTRICTED TO: -	
CUSTOMER DRAWING		SCALE: 4:1		SHEET 1 OF 2 REV A

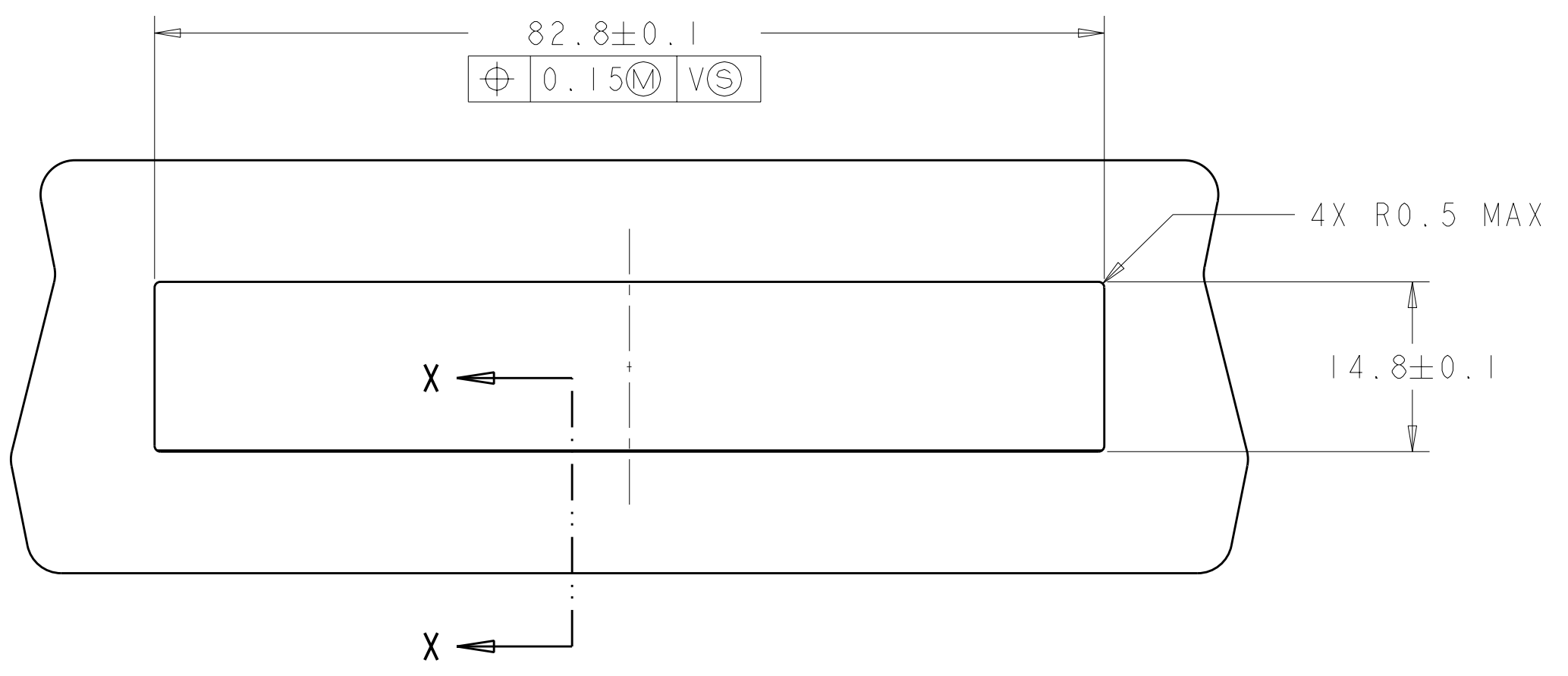
THIS DRAWING IS UNPUBLISHED. RELEASED FOR PUBLICATION 20
 © COPYRIGHT 20 ALL RIGHTS RESERVED.

LOC	DIST	REVISIONS					
GP	00	P	LTR	DESCRIPTION	DATE	DWN	APVD
		-		SEE SHEET 1			



0.1 ± 0.1
 BOTTOM OF PANEL OPENING
 WITH RESPECT TO TOP
 SURFACE OF HOST PCB

SECTION X-X
 SCALE 5:1



RECOMMENDED PANEL OPENING
 AND PANEL LOCATION WITH RESPECT TO HOST PCB
 SCALE 2:1

THIS DRAWING IS A CONTROLLED DOCUMENT. DIMENSIONING AND TOLERANCING PER ASME Y14.5M-2009		DWN C. VALENTINE 19DEC2008	TE Connectivity	
DIMENSIONS: mm		CHK E. BRIGHT 19DEC2008		
TOLERANCES UNLESS OTHERWISE SPECIFIED:		APVD E. BRIGHT 19DEC2008	NAME BACKER PLATE ASSEMBLY, 100 GIG PLUGGABLE	
0 PLC ±0.13	1 PLC ±0.1	PRODUCT SPEC 108-2399	SIZE A200779	CAGE CODE C-2057930
2 PLC ±0.05	3 PLC ±	APPLICATION SPEC 114-13263	DRAWING NO 114-13263	RESTRICTED TO -
4 PLC ±	ANGLES ±	WEIGHT -	SCALE 4:1	SHEET 2 OF 2
MATERIAL -	FINISH -	CUSTOMER DRAWING	REV A	