



Chipsmall Limited consists of a professional team with an average of over 10 year of expertise in the distribution of electronic components. Based in Hongkong, we have already established firm and mutual-benefit business relationships with customers from,Europe,America and south Asia,supplying obsolete and hard-to-find components to meet their specific needs.

With the principle of "Quality Parts,Customers Priority,Honest Operation,and Considerate Service",our business mainly focus on the distribution of electronic components. Line cards we deal with include Microchip,ALPS,ROHM,Xilinx,Pulse,ON,Everlight and Freescale. Main products comprise IC,Modules,Potentiometer,IC Socket,Relay,Connector.Our parts cover such applications as commercial,industrial, and automotives areas.

We are looking forward to setting up business relationship with you and hope to provide you with the best service and solution. Let us make a better world for our industry!



Contact us

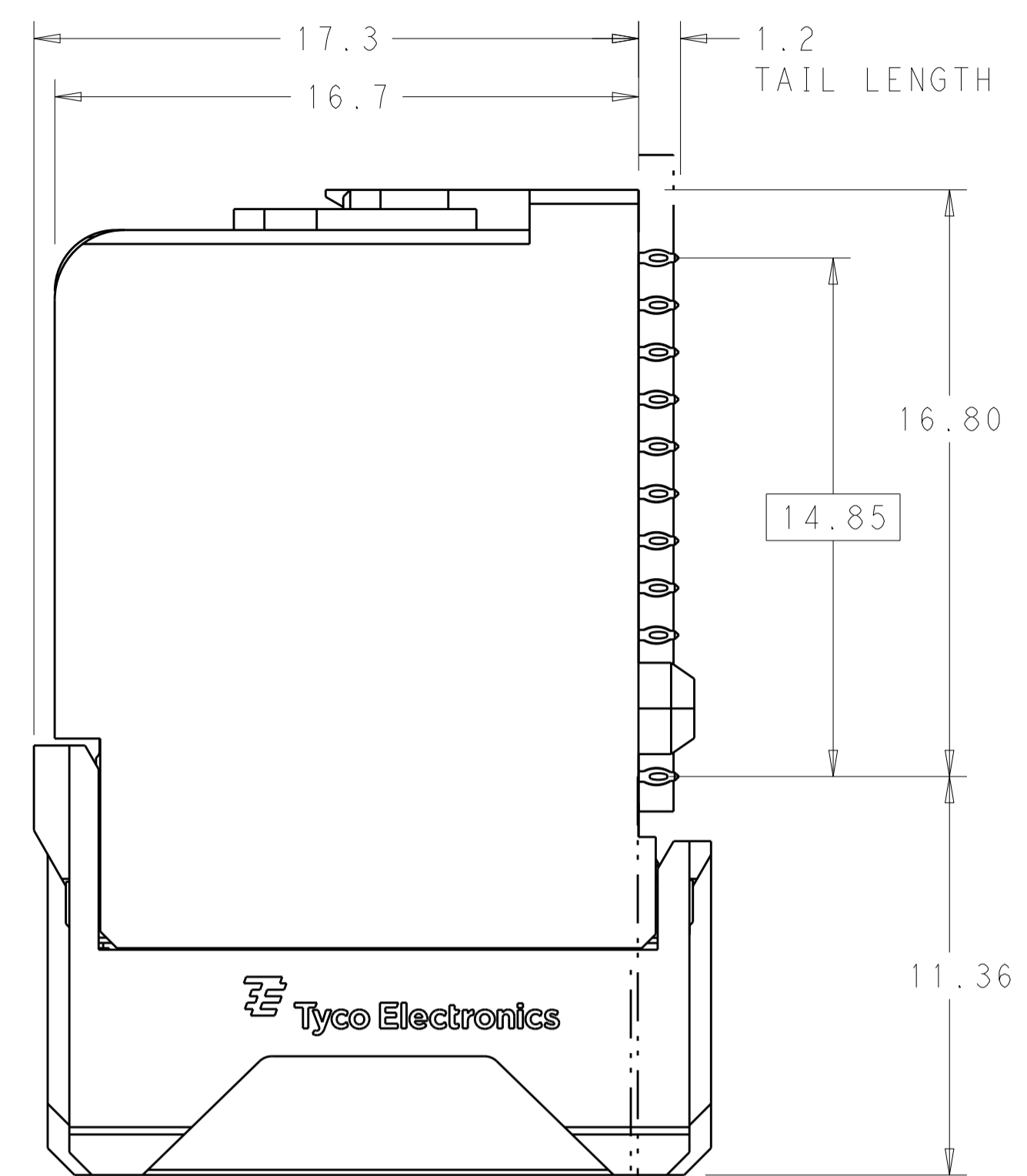
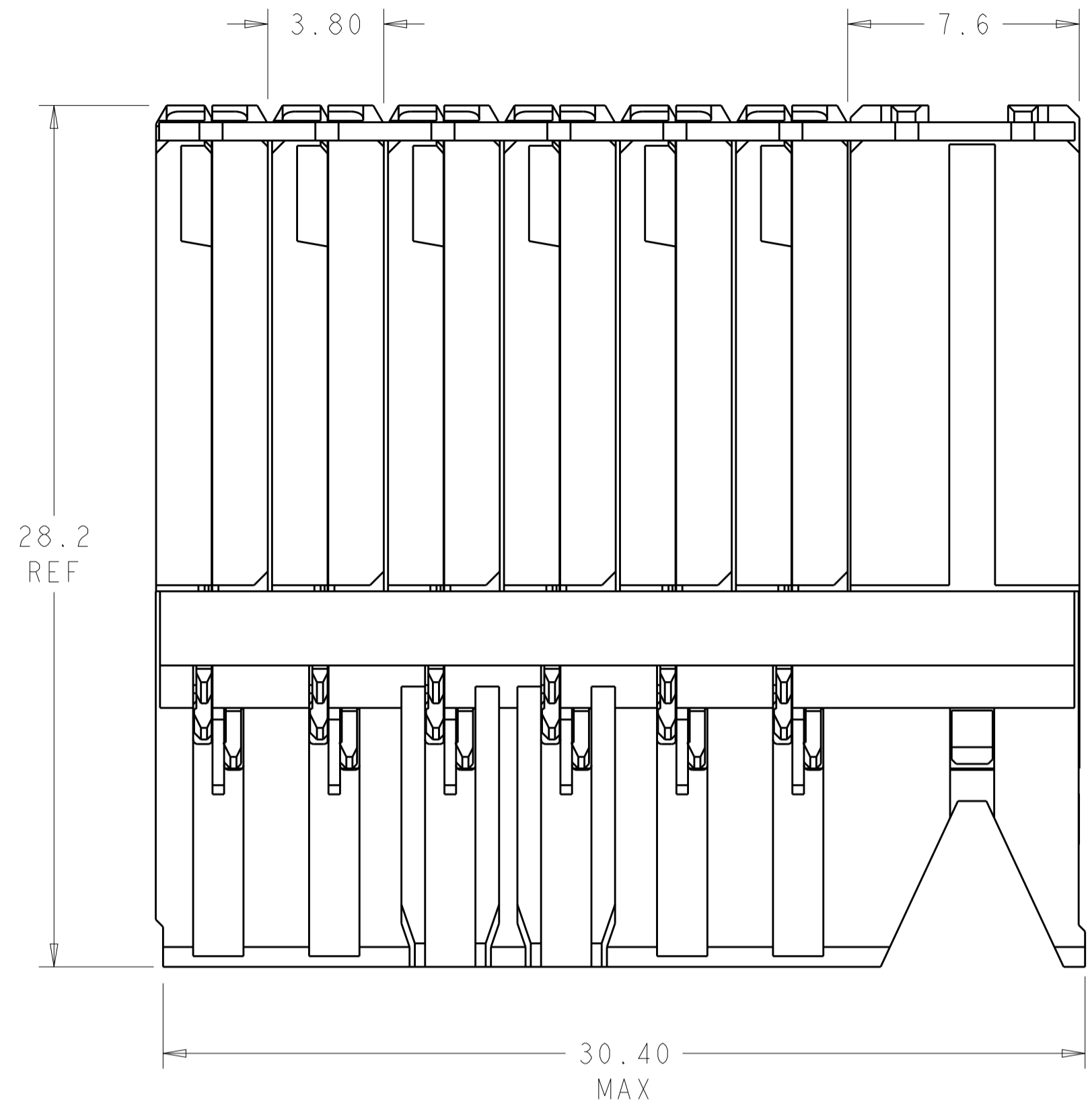
Tel: +86-755-8981 8866 Fax: +86-755-8427 6832

Email & Skype: info@chipsmall.com Web: www.chipsmall.com

Address: A1208, Overseas Decoration Building, #122 Zhenhua RD., Futian, Shenzhen, China



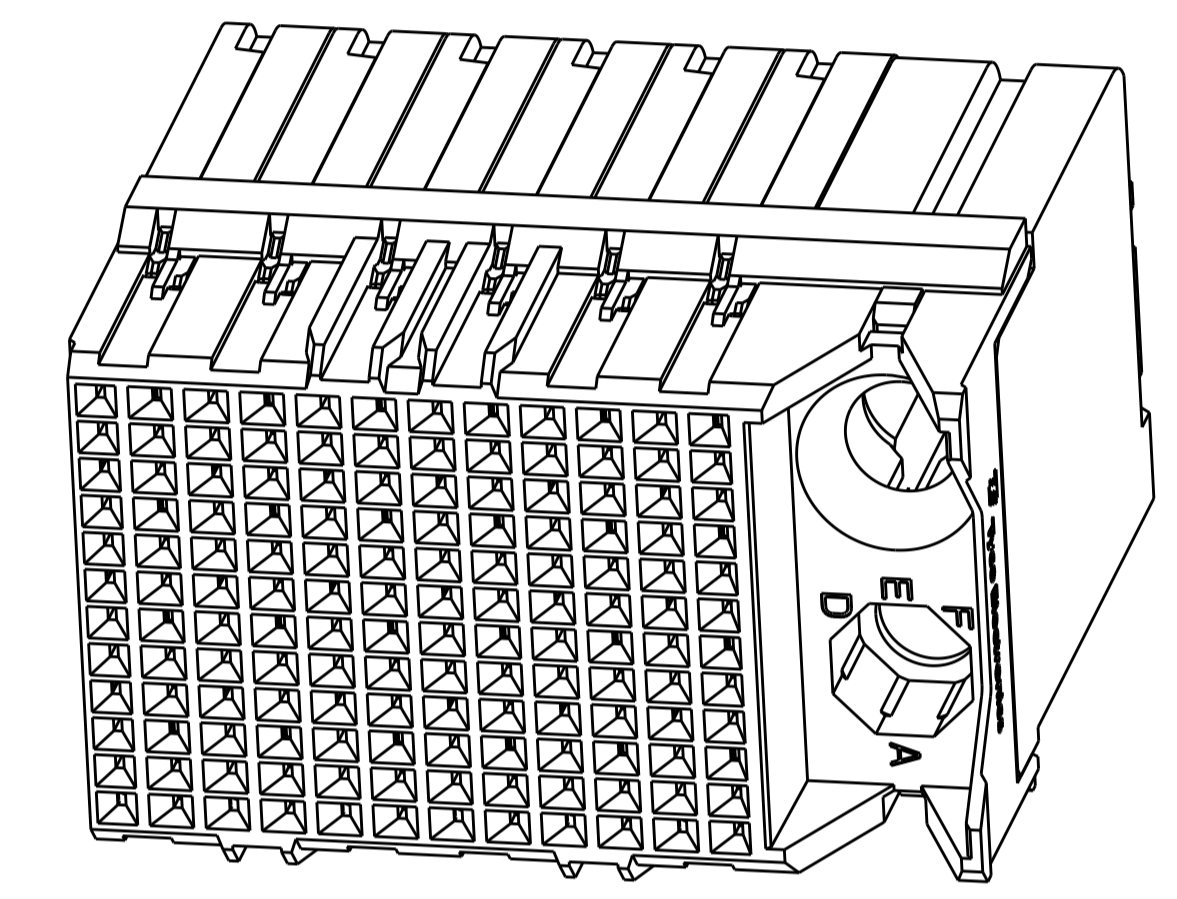
REVISIONS				
P.	LTN	DESCRIPTION	DATE	OWN APVD
B1		REVISED PER ECO-14-018036	17FEB2015	AP DD



⚠ MATERIAL:
 HOUSING: LCP, GLASS FILLED, UL94V-0.
 TERMINALS: HIGH PERFORMANCE COPPER ALLOY.

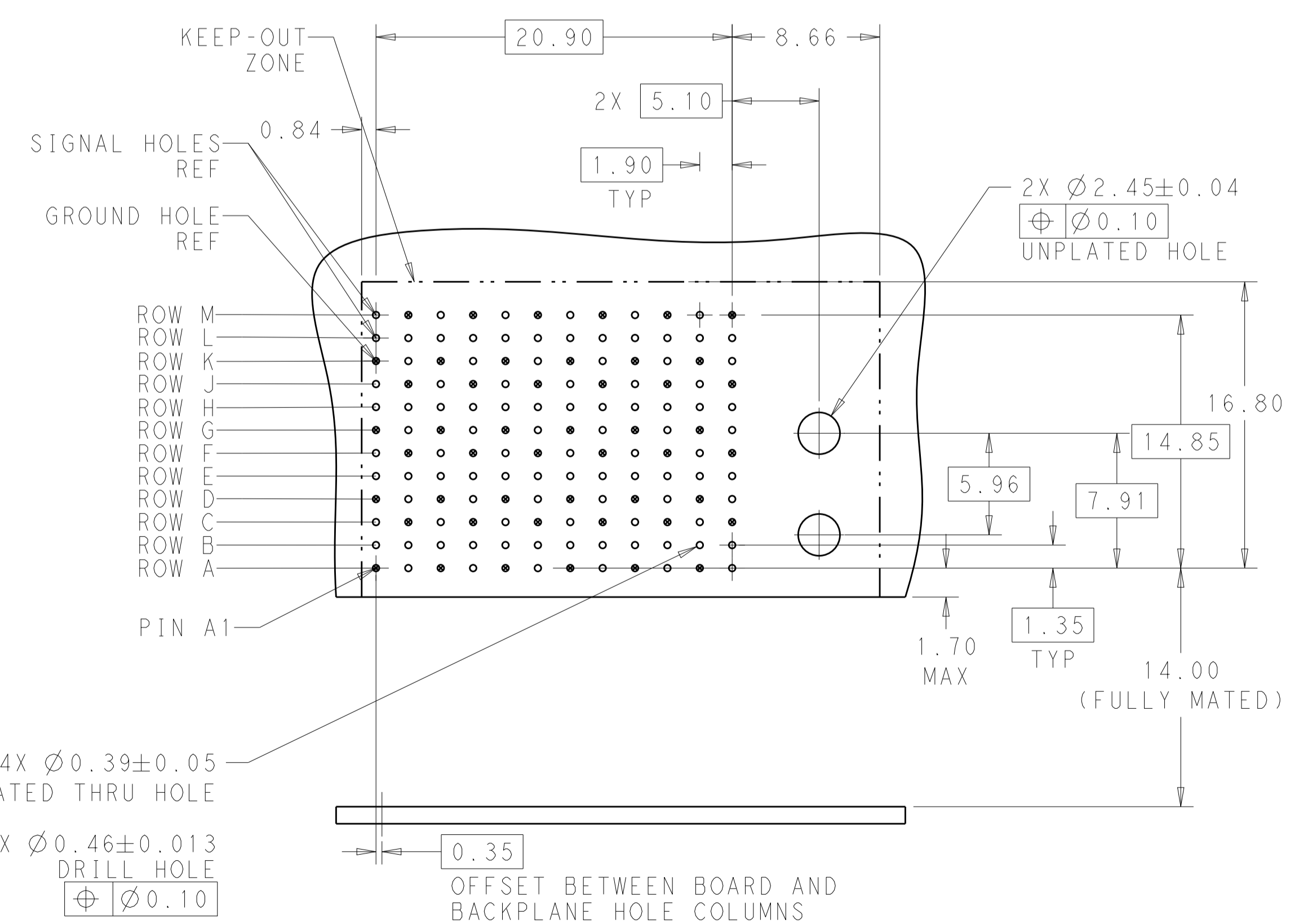
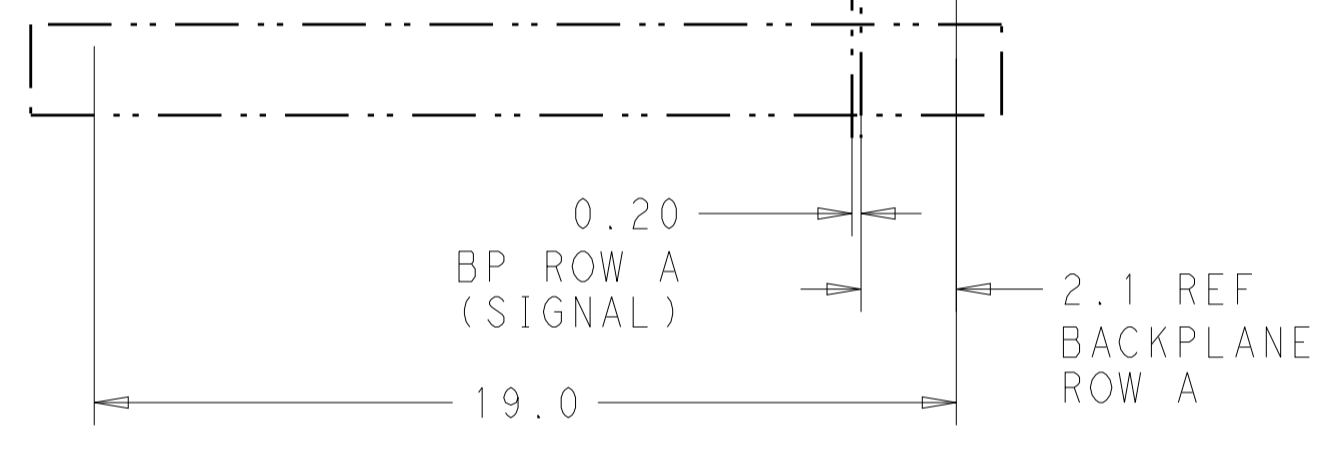
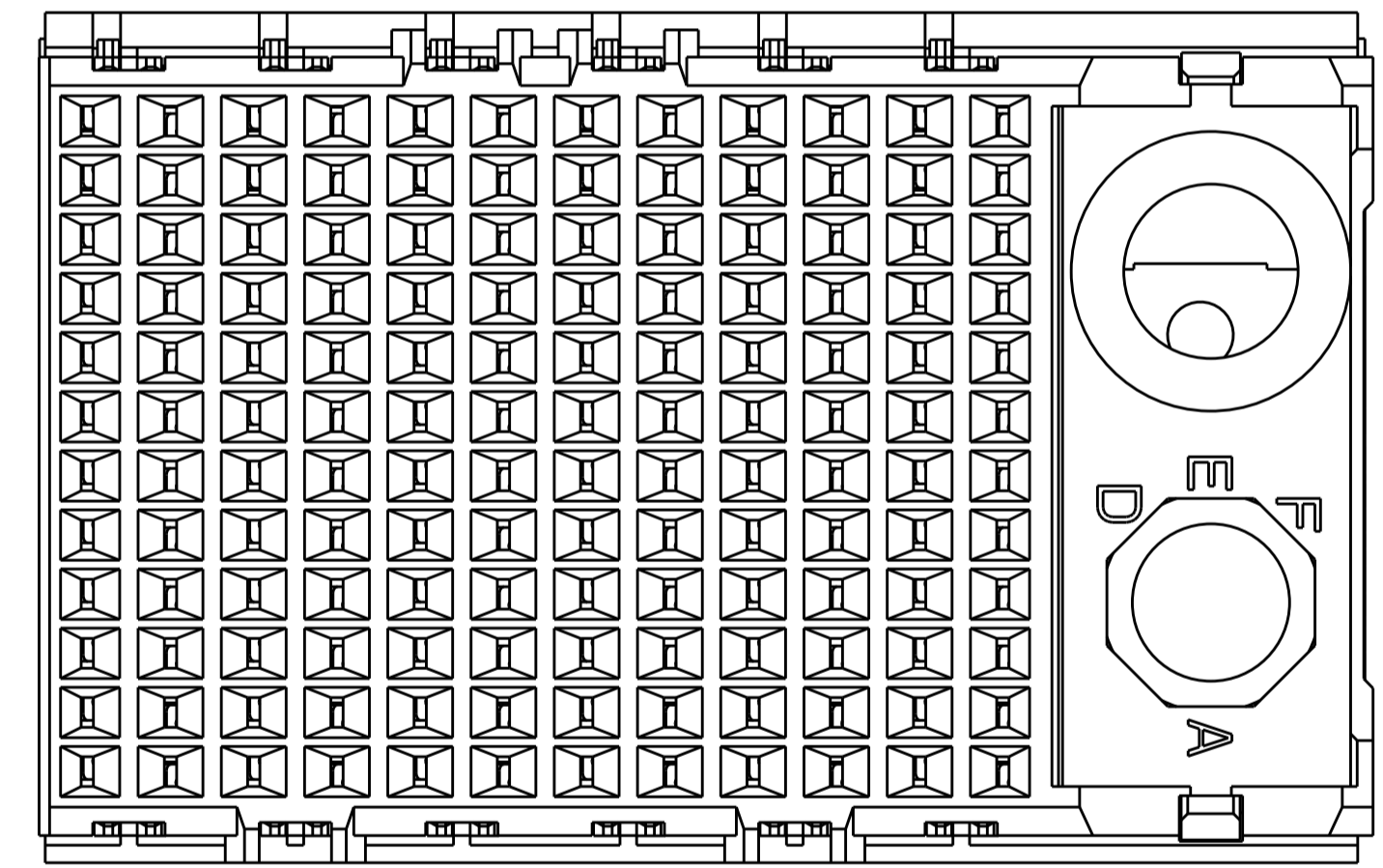
⚠ FINISH:
 30µ" SELECTIVE GOLD IN CONTACT AREA. SELECTIVE TIN ON PCB TAILS, NICKEL OVERALL.

3. CONNECTORS SUPPLIED WITH MOUNTING SCREWS.



SCALE 4:1

REFER TO WWW.TE.COM FOR PRODUCT AVAILABILITY



KEY POSITION CHART	
	NONE
	A
	B
	C
	D
	E
	F
	G
	H

KEY POSITION	FINISH	PART NUMBER
H	⚠	8-2057960-1
G	⚠	7-2057960-1
F	⚠	6-2057960-1
E	⚠	5-2057960-1
D	⚠	4-2057960-1
C	⚠	3-2057960-1
B	⚠	2-2057960-1
A	⚠	1-2057960-1
NONE	⚠	2057960-1

THIS DRAWING IS A CONTROLLED DOCUMENT. OWN: R. GRZYBOWSKI 11JAN2012
 CHK: D. DIXON 11JAN2012
 APVD: D. DIXON 11JAN2012

TE Connectivity

NAME: IMPACT, 4 PAIR, DAUGHTERCARD
 PRODUCT SPEC: 12 COLUMN, RIGHT GUIDED, SIGNAL
 APPLICATION SPEC: MODULE, 0.39 EYELET

SIZE: A1 CAGE CODE: 2057960 DRAWING NO: 100779 ©=2057960
 WEIGHT: - RESTRICTED TO: -
 MATERIAL: SEE TABLE FINISH: SEE TABLE CUSTOMER DRAWING SCALE: 6:1 SHEET: 1 OF 1 REV: B1