



Chipsmall Limited consists of a professional team with an average of over 10 year of expertise in the distribution of electronic components. Based in Hongkong, we have already established firm and mutual-benefit business relationships with customers from,Europe,America and south Asia,supplying obsolete and hard-to-find components to meet their specific needs.

With the principle of "Quality Parts,Customers Priority,Honest Operation,and Considerate Service",our business mainly focus on the distribution of electronic components. Line cards we deal with include Microchip,ALPS,ROHM,Xilinx,Pulse,ON,Everlight and Freescale. Main products comprise IC,Modules,Potentiometer,IC Socket,Relay,Connector.Our parts cover such applications as commercial,industrial, and automotives areas.

We are looking forward to setting up business relationship with you and hope to provide you with the best service and solution. Let us make a better world for our industry!



Contact us

Tel: +86-755-8981 8866 Fax: +86-755-8427 6832

Email & Skype: info@chipsmall.com Web: www.chipsmall.com

Address: A1208, Overseas Decoration Building, #122 Zhenhua RD., Futian, Shenzhen, China



4

3

2

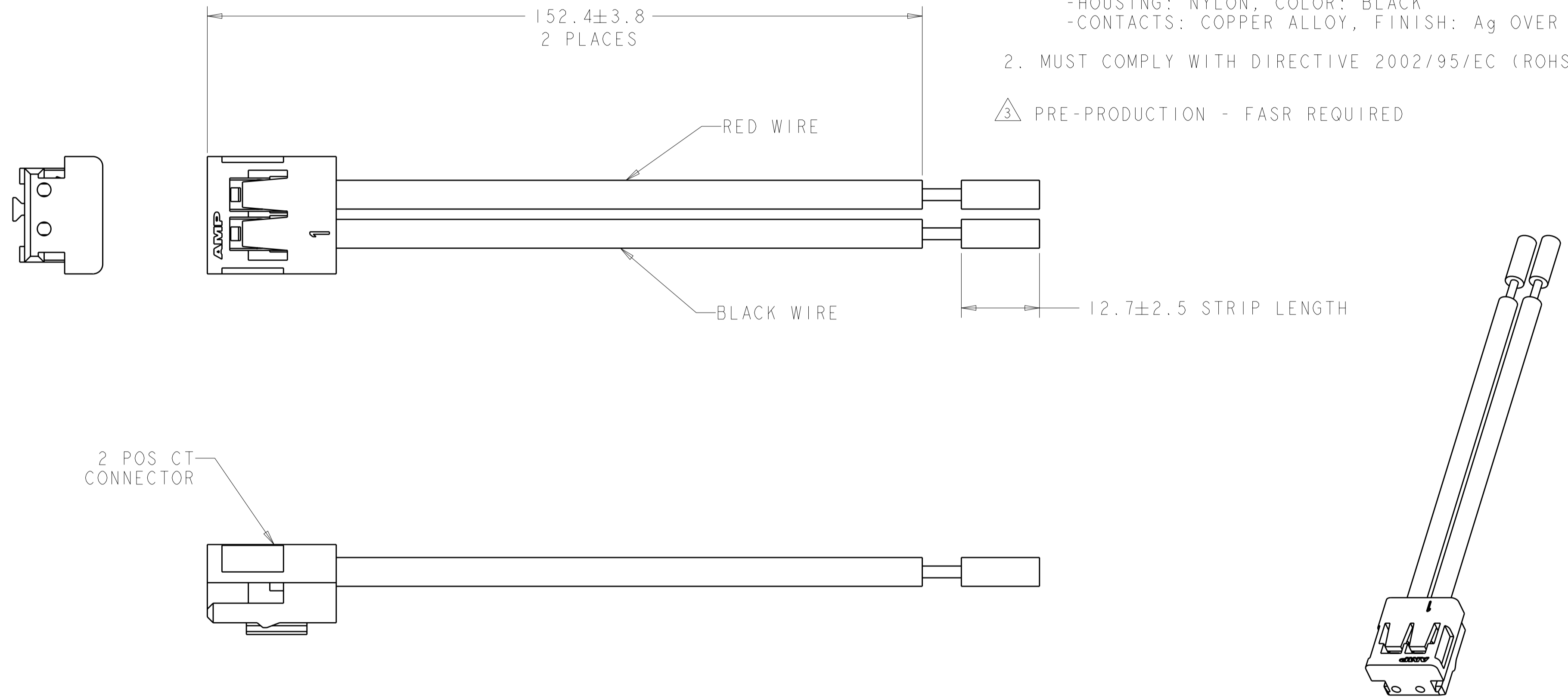
1

THIS DRAWING IS UNPUBLISHED. RELEASED FOR PUBLICATION 20
 © COPYRIGHT 20 BY TYCO ELECTRONICS CORPORATION. ALL RIGHTS RESERVED.

LOC		DIST		REVISIONS			
P	LTR	DESCRIPTION	DATE	DWN	APVD		
-	-	A	REVISED PER ECR-09-011291	21MAY2009	HMR	DD	

NOTES:

- ① MATERIALS AND FINISH:
 -HOUSING: NYLON, COLOR: BLACK
 -CONTACTS: COPPER ALLOY, FINISH: Ag OVER Sn
- 2. MUST COMPLY WITH DIRECTIVE 2002/95/EC (ROHS)
- ③ PRE-PRODUCTION - FASR REQUIRED



SCALE 4:1

③ 2058077-1
 PART NO.

THIS DRAWING IS A CONTROLLED DOCUMENT FOR TYCO ELECTRONICS CORPORATION IT IS SUBJECT TO CHANGE AND THE CONTROLLING ENGINEERING ORGANIZATION SHOULD BE CONTACTED FOR THE LATEST REVISION.		DWN S. FISHER 28FEB2008	Tyco Electronics Harrisburg, PA 17105-3608	
DIMENSIONS: mm		CHK C. GINGRICH 28FEB2008	NAME CABLE ASSEMBLY CT 2 POSITION	
TOLERANCES UNLESS OTHERWISE SPECIFIED: 0 PLC ±- 1 PLC ±- 2 PLC ±- 3 PLC ±- 4 PLC ±- ANGLES ±- FINISH		APVD -	PRODUCT SPEC -	RESTRICTED TO -
MATERIAL		APPLICATION SPEC 114-5179	SIZE A200779	DRAWING NO. C-2058077
①		WEIGHT -	SCALE NTS	SHEET 1 OF 1 REV A
		CUSTOMER DRAWING		