



Chipsmall Limited consists of a professional team with an average of over 10 year of expertise in the distribution of electronic components. Based in Hongkong, we have already established firm and mutual-benefit business relationships with customers from,Europe,America and south Asia,supplying obsolete and hard-to-find components to meet their specific needs.

With the principle of “Quality Parts,Customers Priority,Honest Operation,and Considerate Service”,our business mainly focus on the distribution of electronic components. Line cards we deal with include Microchip,ALPS,ROHM,Xilinx,Pulse,ON,Everlight and Freescale. Main products comprise IC,Modules,Potentiometer,IC Socket,Relay,Connector.Our parts cover such applications as commercial,industrial, and automotives areas.

We are looking forward to setting up business relationship with you and hope to provide you with the best service and solution. Let us make a better world for our industry!



Contact us

Tel: +86-755-8981 8866 Fax: +86-755-8427 6832

Email & Skype: info@chipsmall.com Web: www.chipsmall.com

Address: A1208, Overseas Decoration Building, #122 Zhenhua RD., Futian, Shenzhen, China

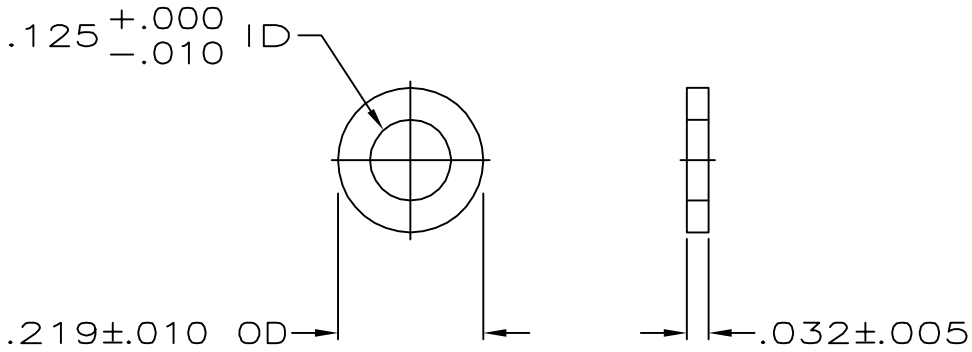


DRAWING MADE IN THIRD ANGLE PROJECTION

LOC	DIST	P	F	LTR	DESCRIPTION	DATE	APPROVED
GP	00			BI	REVISE PER ECO-06-020811	16/OCT/06	C. ROHDE

RELEASED FOR PUBLICATION
 BY AMP INCORPORATED. ALL INTERNATIONAL RIGHTS RESERVED.

THIS DRAWING IS UNPUBLISHED.
 © COPYRIGHT 19



- 1 ZINC PLATED PER ASTM B633, TYPE II, CLASS SC1, (.000197-.000400), YELLOW CHROMATE.
- 2 ZINC PLATED PER ASTM B633, TYPE II, CLASS SC1, (.000197-.000400), CLEAR CHROMATE.

OBSOLETE	2	205820-3
	1	205820-2
	FINISH	PART NO

DO NOT SCALE PRINT. UNLESS SPECIFIED DIMENSIONS IN INCHES TOLERANCES ON: 2 PLC DEC ± - 3 PLC DEC ± - ANGLES ± -	DR 6-6-88 C.RICHARD	AMP AMP INCORPORATED Harrisburg, Pa. 17105
	CHK 6-15-88 W.G.LENKER	
MATERIAL COLD ROLLED STEEL PER ASTM A108	APPD 6-16-88 R.N.WHYNE	NAME WASHER, PLAIN, #4, AMPLIMITE®
	APPD 6-17-90 V.KUMAR	
FINISH SEE TABLE	PRODUCT SPEC -	SIZE A
	APPLICATION SPEC -	FSCM NO 00779
	WEIGHT -	DRAWING NO 205820
		SCALE 4:1
		SHEET 1 OF 1
		REV B1

AMP 1469-32 REV 3-87

Translated 061016.100100 (YYMMDD.HHMMSS) from
 Computervision, Inc., Medusa Revision 12.2.5T

CUSTOMER DRAWING

OBSOLETE
 Not the LATEST REVISION