



Chipsmall Limited consists of a professional team with an average of over 10 year of expertise in the distribution of electronic components. Based in Hongkong, we have already established firm and mutual-benefit business relationships with customers from,Europe,America and south Asia,supplying obsolete and hard-to-find components to meet their specific needs.

With the principle of “Quality Parts,Customers Priority,Honest Operation,and Considerate Service”,our business mainly focus on the distribution of electronic components. Line cards we deal with include Microchip,ALPS,ROHM,Xilinx,Pulse,ON,Everlight and Freescale. Main products comprise IC,Modules,Potentiometer,IC Socket,Relay,Connector.Our parts cover such applications as commercial,industrial, and automotives areas.

We are looking forward to setting up business relationship with you and hope to provide you with the best service and solution. Let us make a better world for our industry!



## Contact us

Tel: +86-755-8981 8866 Fax: +86-755-8427 6832

Email & Skype: info@chipsmall.com Web: www.chipsmall.com

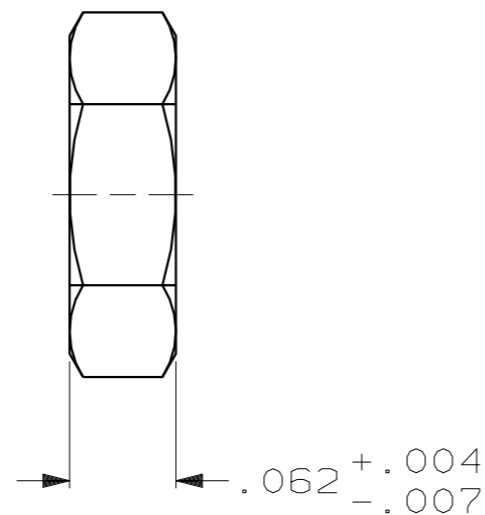
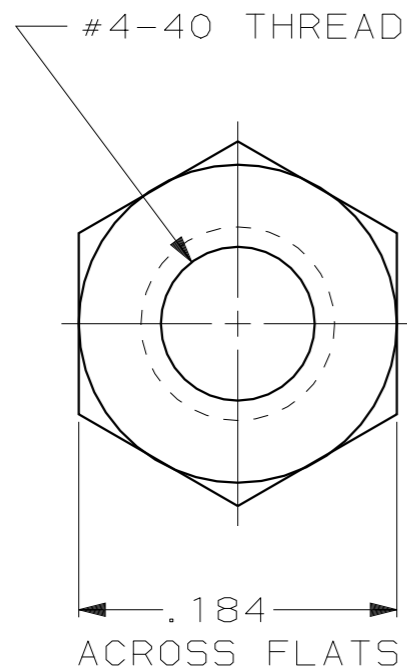
Address: A1208, Overseas Decoration Building, #122 Zhenhua RD., Futian, Shenzhen, China



THIS DRAWING IS UNPUBLISHED. RELEASED FOR PUBLICATION, 19 .  
 © COPYRIGHT 19 BY AMP INCORPORATED, HARRISBURG, PA. ALL INTERNATIONAL RIGHTS RESERVED. AMP PRODUCTS MAY BE COVERED BY U.S. AND FOREIGN PATENTS AND/OR PATENTS PENDING.

MOD 8 LOC BD DIST 39

		REVISIONS				
P	F	ZONE	LTR	DESCRIPTION	DATE	APPROVED
			A	REV & REDRAWN ECN-1849	-	JW
			B	REVISED ECN-BD2480	11/23/88	-
			C	REV PER ECN BD4231	09/06/90	-



- 1 ZINC PLATED PER ASTM B633, TYPE II, CLASS SC1, (.000197-.000400), YELLOW CHROMATE.
- 2 ZINC PLATED PER ASTM B633, TYPE III, CLASS SC1, (.000197-.000400), CLEAR CHROMATE.

2	205821-3
1	205821-2
FINISH	PART NO

UNLESS OTHERWISE SPECIFIED DIMENSIONS ARE IN INCHES TOLERANCES ON: 2 PL DEC ± - 3 PL DEC ± .005 ANGLES ± -	DR 4-28-87 C. RICHARD	AMP INCORPORATED Harrisburg, Pa. 17105
	CHK 5-4-87 S. WELDON	
MATERIAL COLD ROLLED STEEL	APPD 5-4-87 M. PETERSON	NAME
	APPD 5-4-87 V. KUMAR	#4-40 HEX NUT, AMPLIMITE®
FINISH SEE TABLE	PRODUCT SPEC -	SIZE
	APPLICATION SPEC -	FSCM NO 00779
WEIGHT -		DRAWING NO 205821
		SCALE 10:1
		SHEET 1 OF 1

OBSOLETE  
NOT the LATEST REVISION