



Chipsmall Limited consists of a professional team with an average of over 10 year of expertise in the distribution of electronic components. Based in Hongkong, we have already established firm and mutual-benefit business relationships with customers from,Europe,America and south Asia,supplying obsolete and hard-to-find components to meet their specific needs.

With the principle of "Quality Parts,Customers Priority,Honest Operation,and Considerate Service",our business mainly focus on the distribution of electronic components. Line cards we deal with include Microchip,ALPS,ROHM,Xilinx,Pulse,ON,Everlight and Freescale. Main products comprise IC,Modules,Potentiometer,IC Socket,Relay,Connector.Our parts cover such applications as commercial,industrial, and automotives areas.

We are looking forward to setting up business relationship with you and hope to provide you with the best service and solution. Let us make a better world for our industry!



Contact us

Tel: +86-755-8981 8866 Fax: +86-755-8427 6832

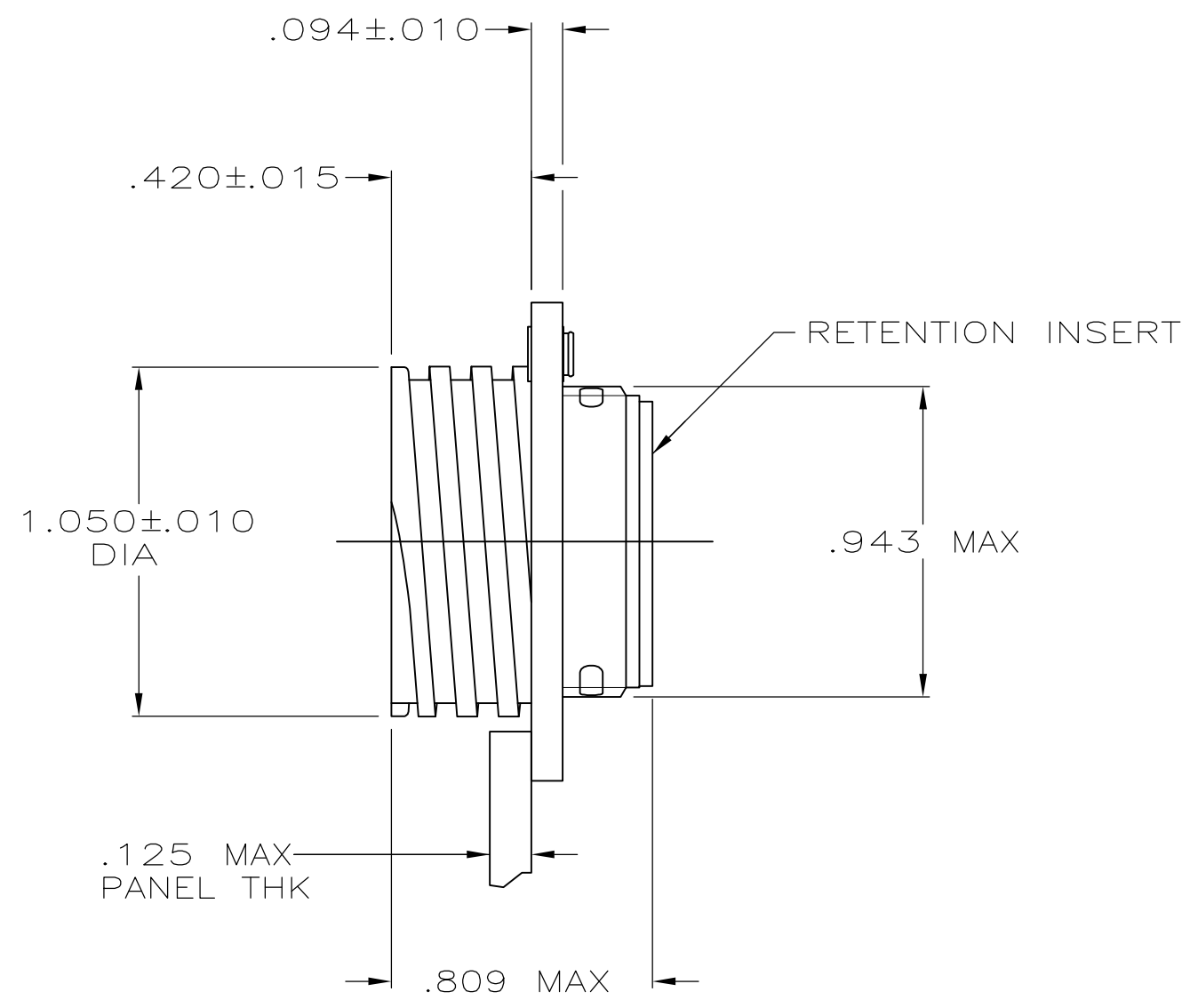
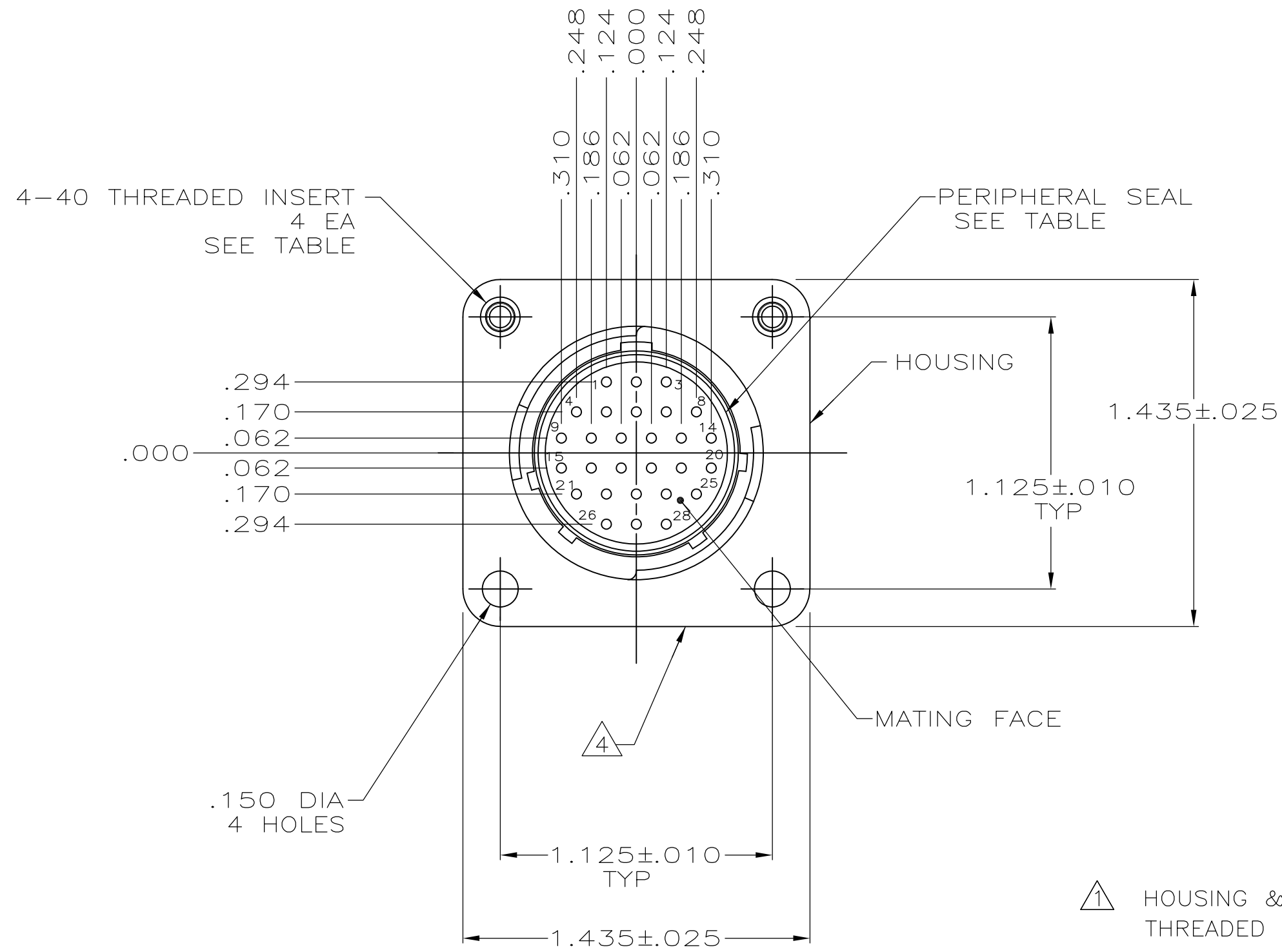
Email & Skype: info@chipsmall.com Web: www.chipsmall.com

Address: A1208, Overseas Decoration Building, #122 Zhenhua RD., Futian, Shenzhen, China

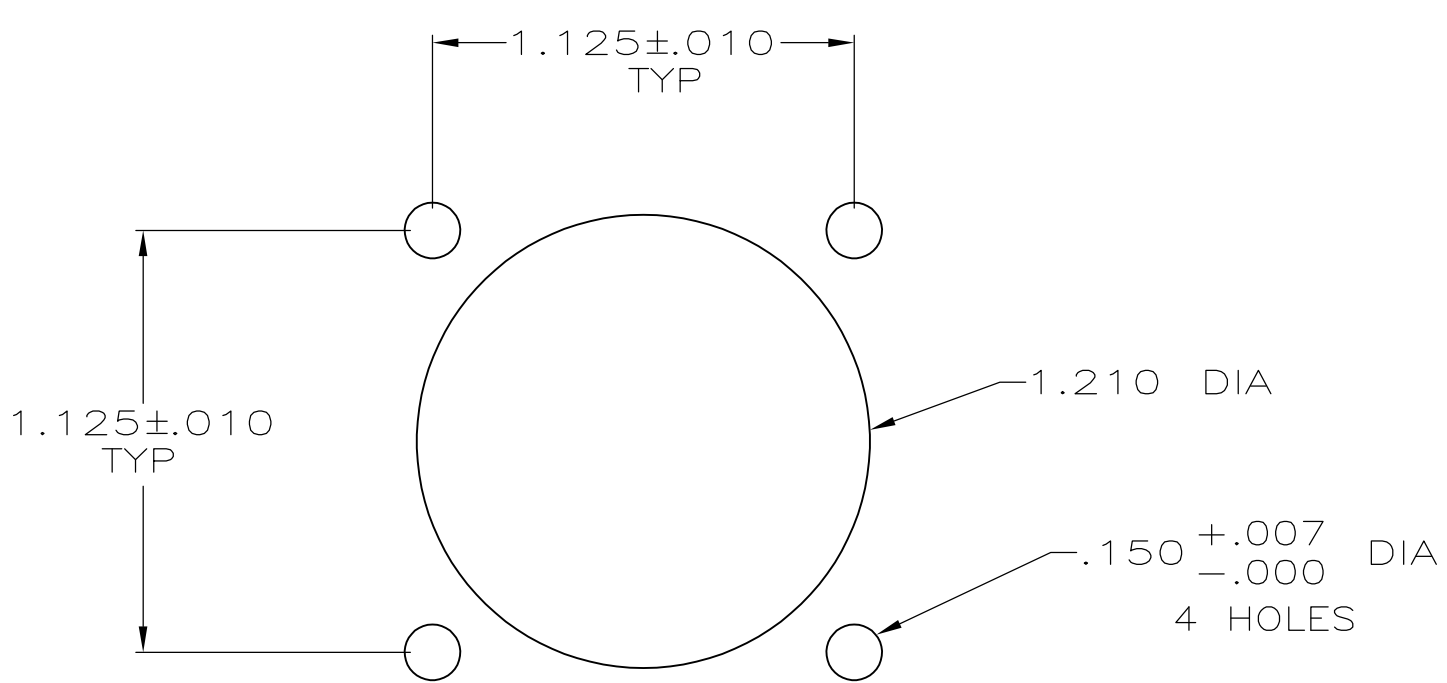


THIS DRAWING IS UNPUBLISHED. RELEASED FOR PUBLICATION
 © COPYRIGHT - By - ALL RIGHTS RESERVED.

LOC	DIST	REVISIONS			DATE	DWN	APVD
FT	4	P	LTR	DESCRIPTION	11MAR11	RK	HMR
		H1		REVISED PER ECO-11-004820	4/2/91		



- ① HOUSING & RETENTION INSERT: THERMOPLASTIC, BLACK. THREADED INSERTS: BRASS.
- 2. CONTACT CAVITIES IDENTIFIED BY CHARACTERS ON FRONT AND REAR FACES OF CONNECTOR.
- 3. WILL ACCEPT (28) SIZE 20 PIN CONTACTS.
- ④ AMP AND PART NUMBER ANY EDGE.



PANEL CUTOUT

YES	YES	205840-5
NO	YES	205840-4
NO	NO	205840-3
PERIPHERAL SEAL	4-40 THREADED INSERTS	PART NUMBER

THIS DRAWING IS A CONTROLLED DOCUMENT.		DWN	A.STAUB BG	4/3/91		TE Connectivity		
DIMENSIONS: INCHES		CHK	W.G.LENKER	7-24-92		NAME		
TOLERANCES UNLESS OTHERWISE SPECIFIED:		APVD	K.BEAVER	7-24-92		RECEPTACLE ASSEMBLY, STD SEX, SERIES 2, 17-28, CPC		
0 PLC ± - 1 PLC ± - 2 PLC ± - 3 PLC ± .005 4 PLC ± - ANGLES ± - FINISH -		PRODUCT SPEC	108-10024			SIZE	CAGE CODE	DRAWING NO
MATERIAL	①	WEIGHT	-		A2	00779	④=205840	
CUSTOMER DRAWING				SCALE	2:1	SHEET	1 of 1	
				REV	H1			

- 205840 -