



Chipsmall Limited consists of a professional team with an average of over 10 year of expertise in the distribution of electronic components. Based in Hongkong, we have already established firm and mutual-benefit business relationships with customers from,Europe,America and south Asia,supplying obsolete and hard-to-find components to meet their specific needs.

With the principle of "Quality Parts,Customers Priority,Honest Operation,and Considerate Service",our business mainly focus on the distribution of electronic components. Line cards we deal with include Microchip,ALPS,ROHM,Xilinx,Pulse,ON,Everlight and Freescale. Main products comprise IC,Modules,Potentiometer,IC Socket,Relay,Connector.Our parts cover such applications as commercial,industrial, and automotives areas.

We are looking forward to setting up business relationship with you and hope to provide you with the best service and solution. Let us make a better world for our industry!



Contact us

Tel: +86-755-8981 8866 Fax: +86-755-8427 6832

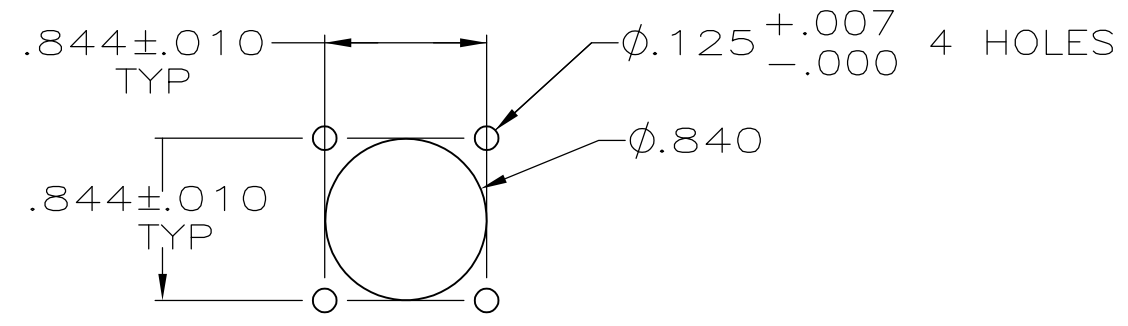
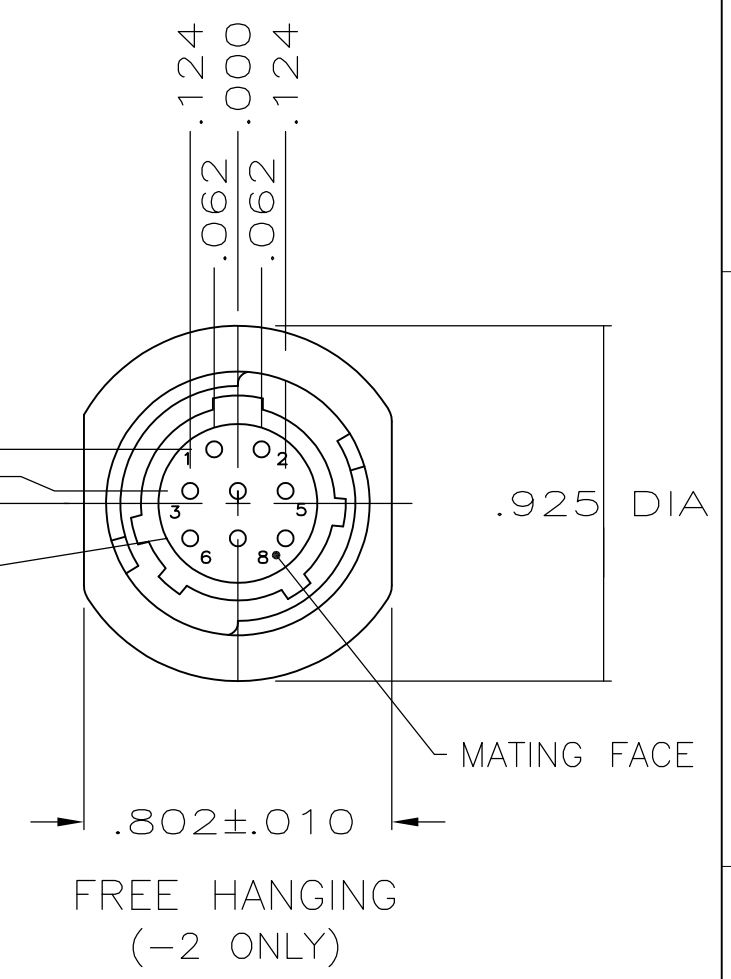
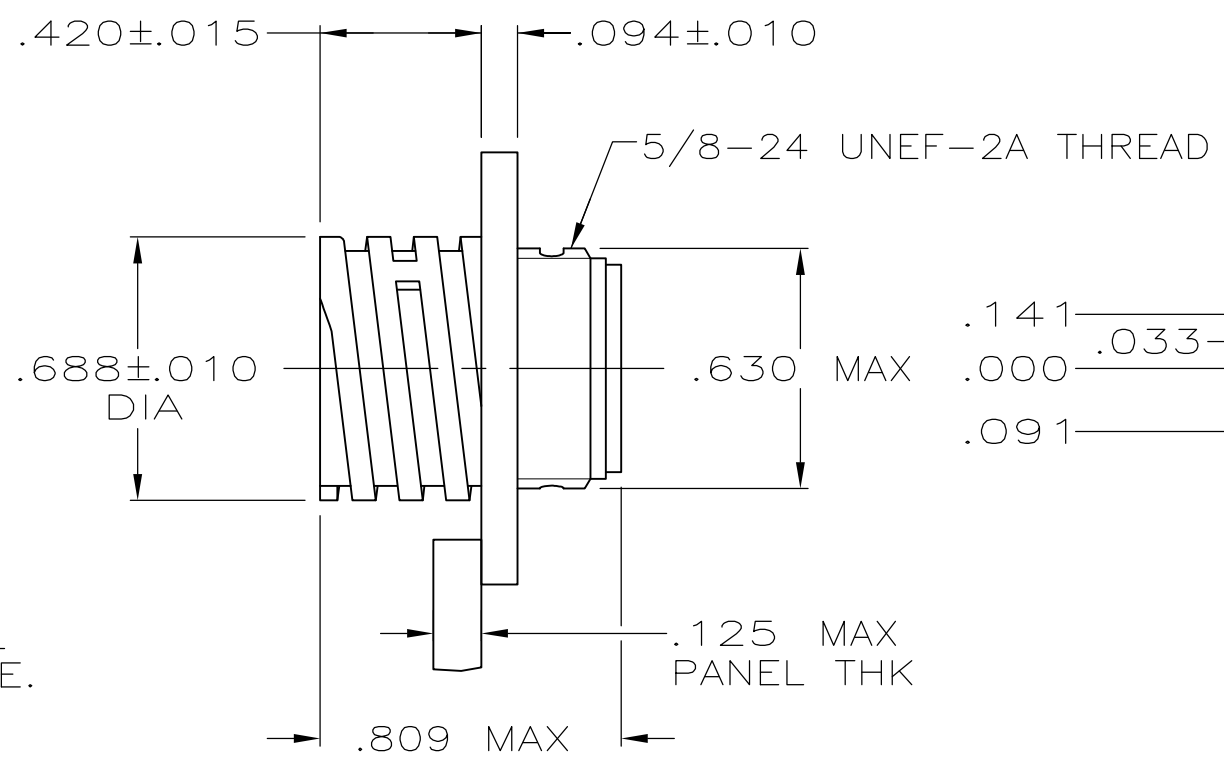
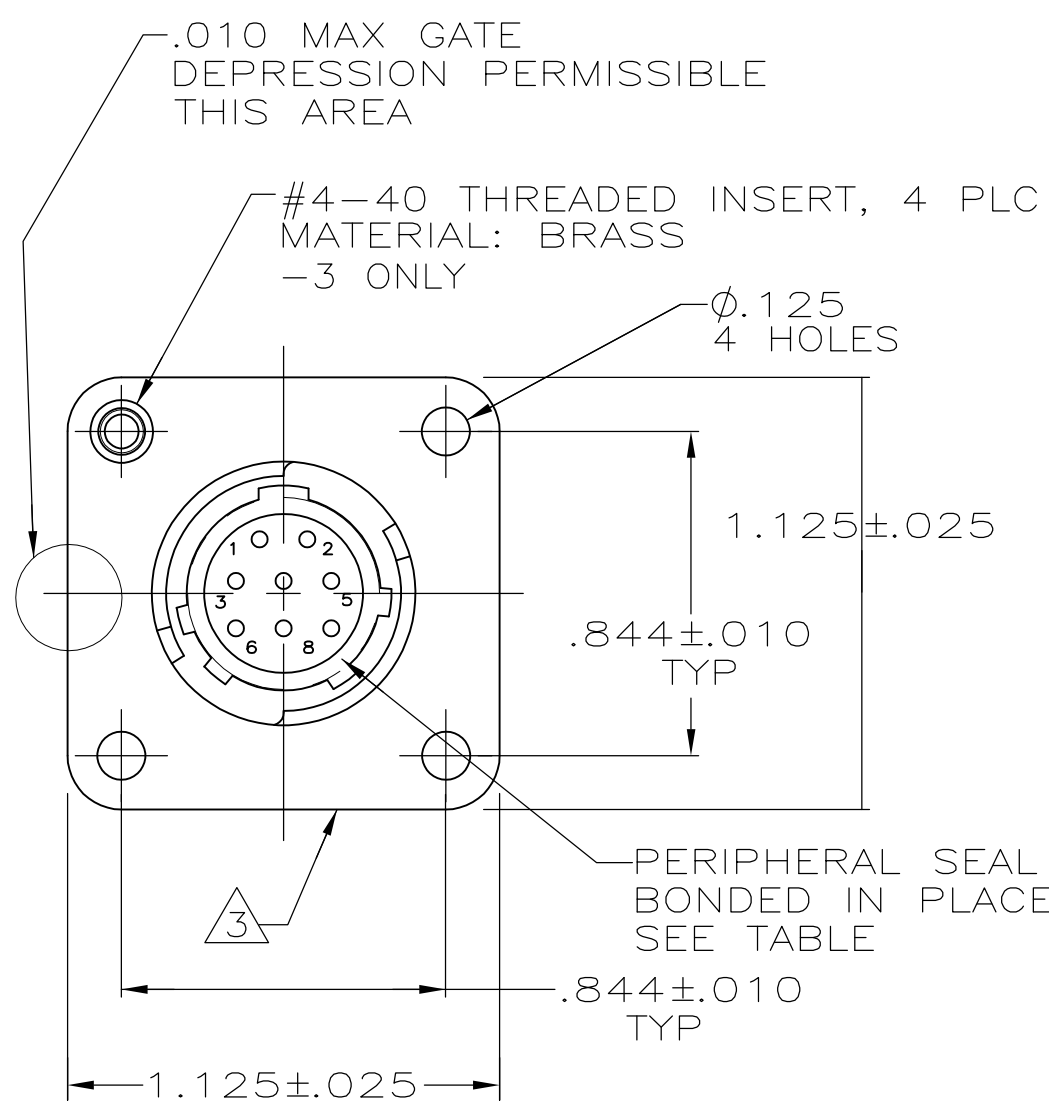
Email & Skype: info@chipsmall.com Web: www.chipsmall.com

Address: A1208, Overseas Decoration Building, #122 Zhenhua RD., Futian, Shenzhen, China



THIS DRAWING IS UNPUBLISHED. RELEASED FOR PUBLICATION
 © COPYRIGHT - By - ALL RIGHTS RESERVED.

LOC	DIST	REVISIONS					
FT	0	P	LTR	DESCRIPTION	DATE	DWN	APVD
			N3	REVISED PER ECO-13-000444	10JAN13	KH	MZ



PANEL CUTOUT
SCALE 1:1

4 OBSOLETE	YES	YES	205841-4
	YES	NO	205841-3
	NO	NO	205841-2
	NO	NO	205841-1
	THREADED INSERTS	PERIPHERAL SEAL	PART NUMBER

- 1 CONTACT CAVITIES IDENTIFIED BY CHARACTERS ON FRONT AND REAR FACES OF CONNECTOR.
- 2 WILL ACCEPT (8) SIZE 20 PIN CONTACTS.
- 3 AMP AND PART NUMBER ON FLANGE EDGE.
- 4 OBSOLETE PARTS: OBSOLETE CIS STREAMLINING PER D.RENAUD/D.SINISI

THIS DRAWING IS A CONTROLLED DOCUMENT.		DWN A.STAUB BG 4/5/91	STE TE Connectivity		
		CHK W.G.LENKER 7-24-92			
DIMENSIONS: INCHES		PRODUCT SPEC 108-10024		RECEPTACLE ASSEMBLY, STD SEX, SERIES 2, 11-8, CPC	
TOLERANCES UNLESS OTHERWISE SPECIFIED:		APPLICATION SPEC		RESTRICTED TO	
0 PLC ± -		-		-	
1 PLC ± -		-		-	
2 PLC ± -		-		-	
3 PLC ± .005		-		-	
4 PLC ANGLES ± -		-		-	
FINISH -		WEIGHT -		-	
MATERIAL THERMOPLASTIC, BLK		CUSTOMER DRAWING		-	
		SIZE A3 CAGE CODE 00779 DRAWING NO C-205841		SCALE 2:1 SHEET 1 OF 1 REV N3	