



Chipsmall Limited consists of a professional team with an average of over 10 year of expertise in the distribution of electronic components. Based in Hongkong, we have already established firm and mutual-benefit business relationships with customers from,Europe,America and south Asia,supplying obsolete and hard-to-find components to meet their specific needs.

With the principle of “Quality Parts,Customers Priority,Honest Operation,and Considerate Service”,our business mainly focus on the distribution of electronic components. Line cards we deal with include Microchip,ALPS,ROHM,Xilinx,Pulse,ON,Everlight and Freescale. Main products comprise IC,Modules,Potentiometer,IC Socket,Relay,Connector.Our parts cover such applications as commercial,industrial, and automotives areas.

We are looking forward to setting up business relationship with you and hope to provide you with the best service and solution. Let us make a better world for our industry!



Contact us

Tel: +86-755-8981 8866 Fax: +86-755-8427 6832

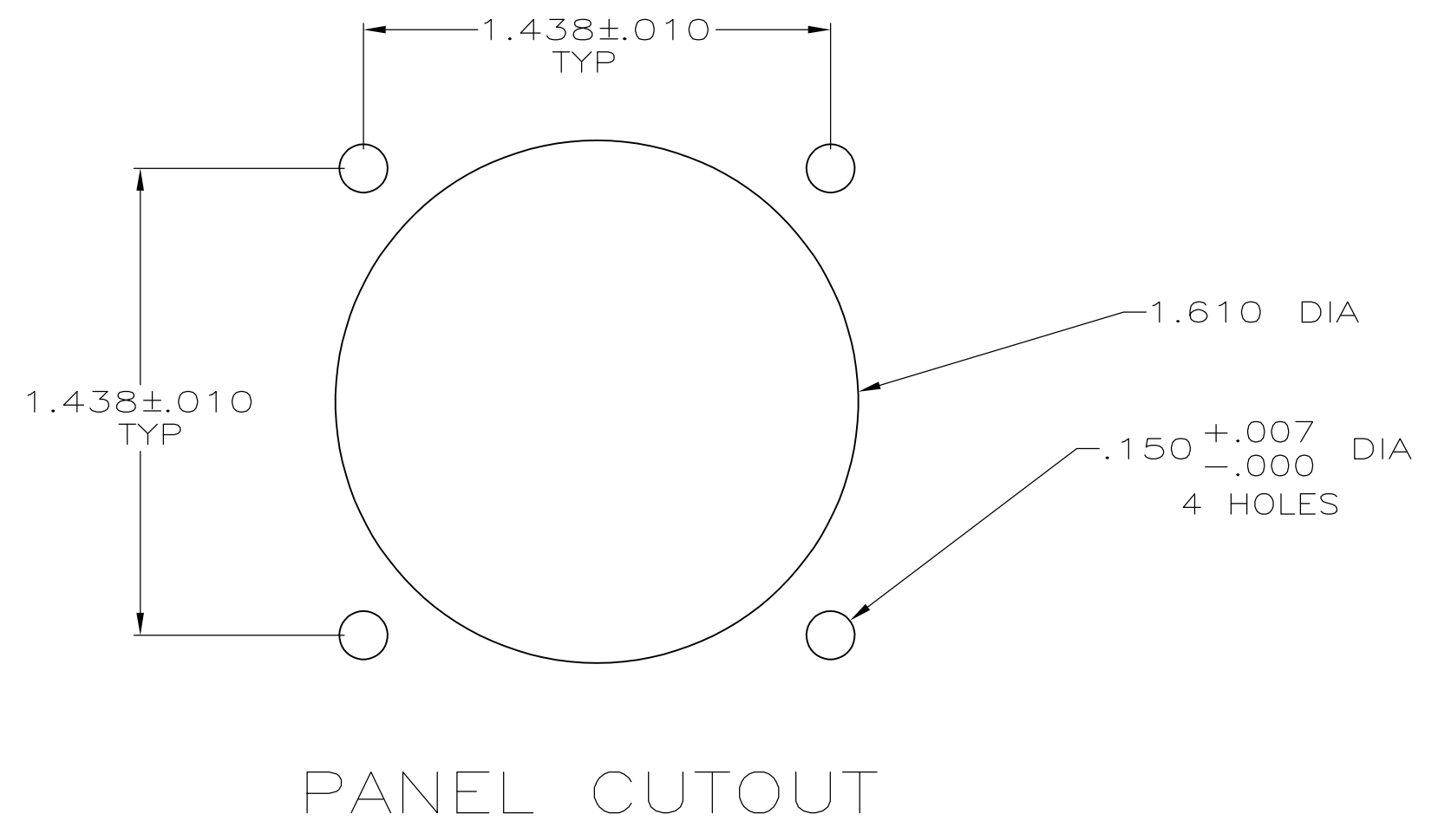
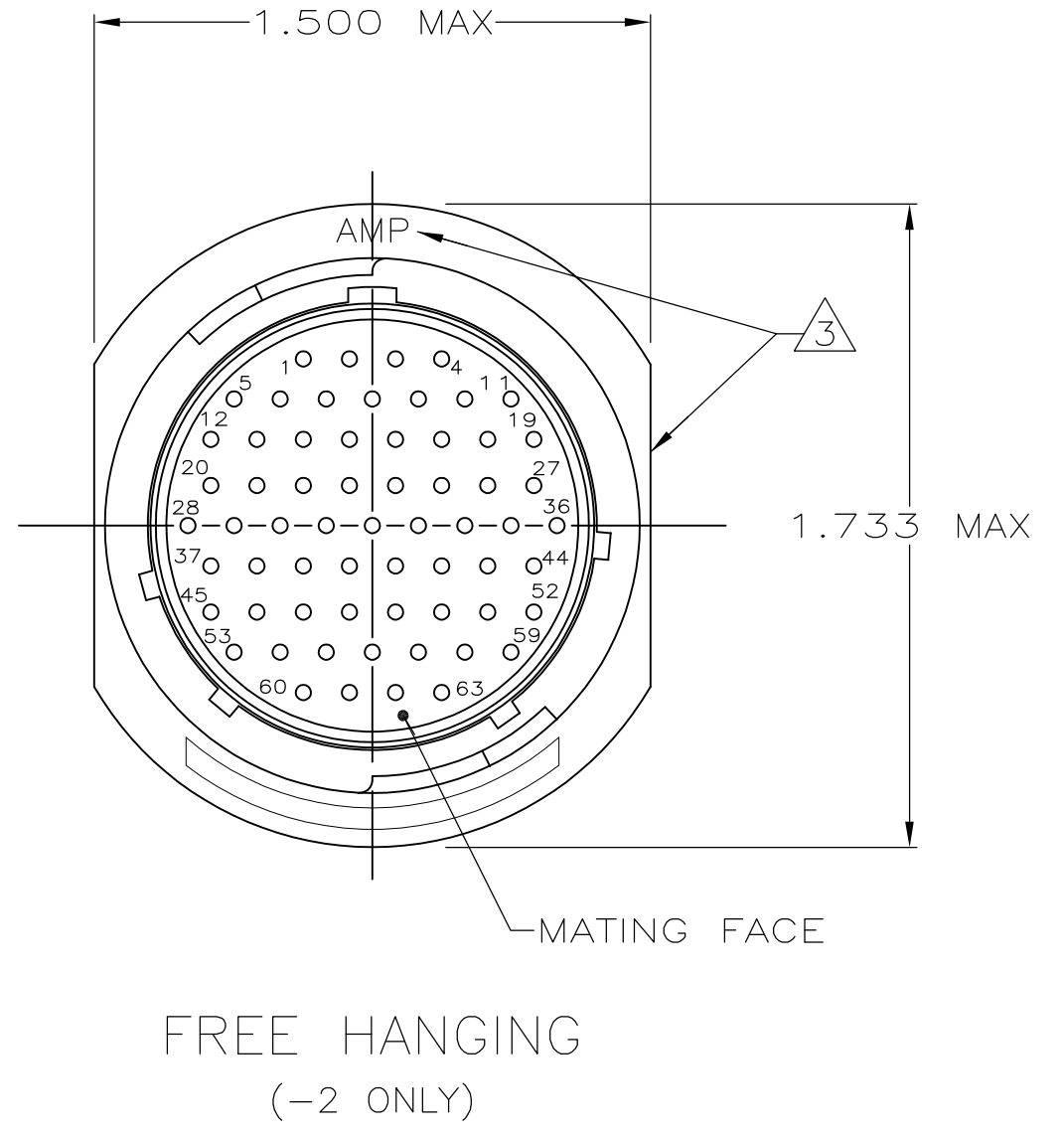
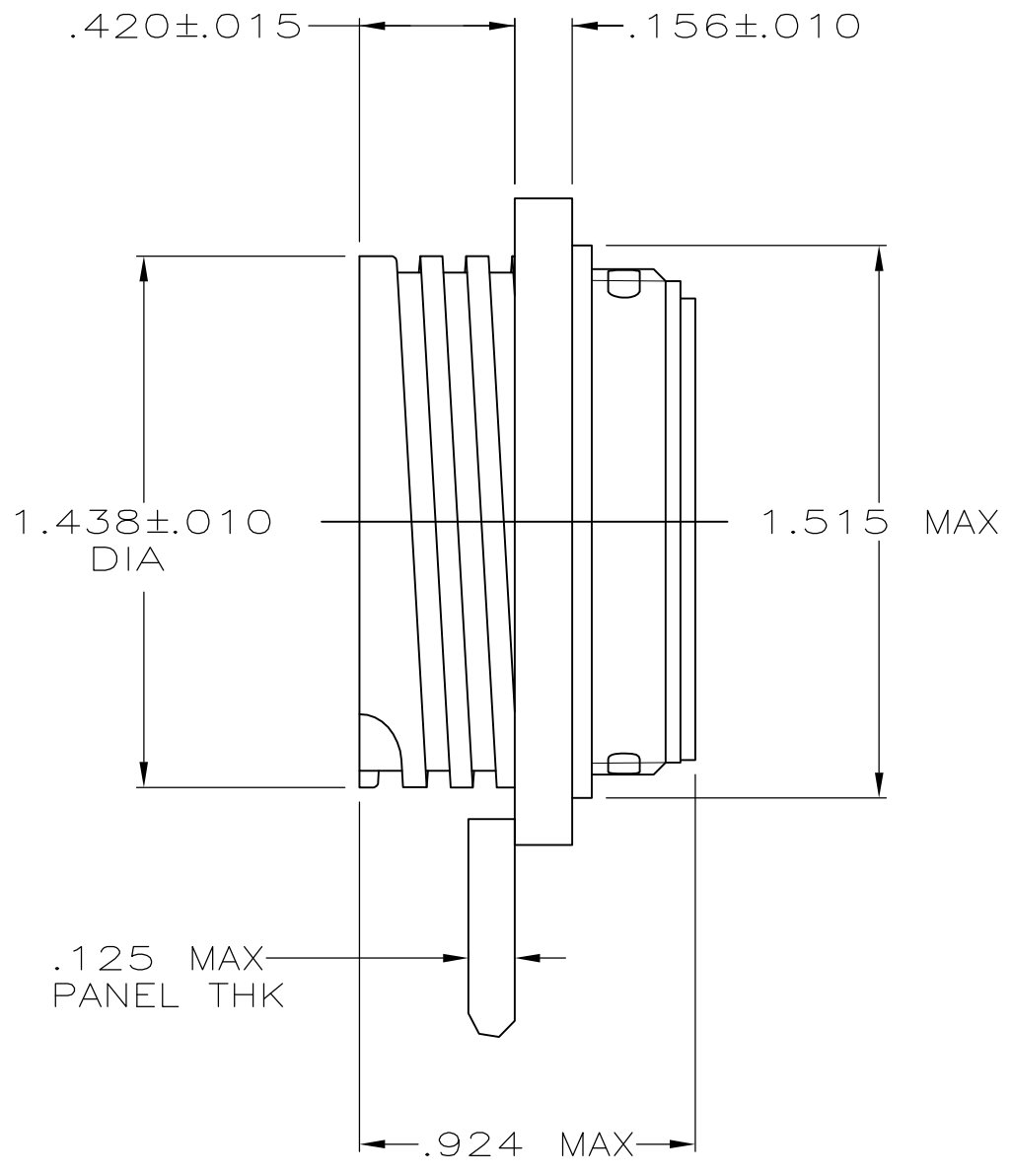
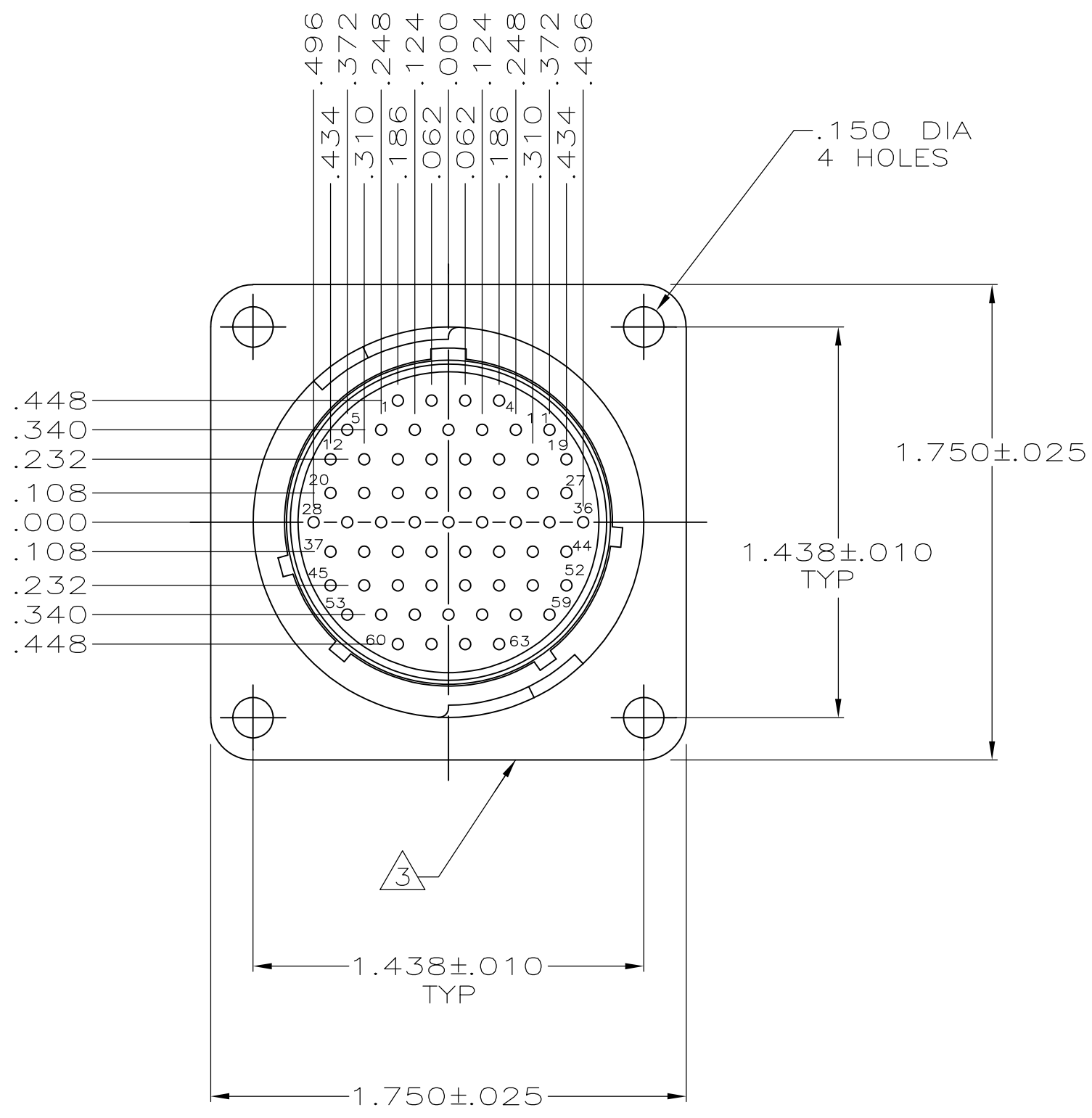
Email & Skype: info@chipsmall.com Web: www.chipsmall.com

Address: A1208, Overseas Decoration Building, #122 Zhenhua RD., Futian, Shenzhen, China



THIS DRAWING IS UNPUBLISHED. RELEASED FOR PUBLICATION
 © COPYRIGHT - By - ALL RIGHTS RESERVED.

LOC	DIST	REVISIONS					
BD	35	P	LTR	DESCRIPTION	DATE	DWN	APVD
		F1		REVISED PER ECO-11-004917	11MAR11	RK	HMR



- CONTACT CAVITIES IDENTIFIED BY CHARACTERS ON FRONT AND REAR FACES OF CONNECTOR.
- WILL ACCEPT (63) SIZE 20 PIN CONTACTS.
- AMP AND PART NUMBER THIS AREA.
- #4 FASTENER RECOMMENDED FOR MOUNTING.

205843-2
205843-1
PART NUMBER

THIS DRAWING IS A CONTROLLED DOCUMENT.		DWN A.STAUB BG 4/3/91	TE Connectivity				
DIMENSIONS: INCHES		CHK W.G.LENKER 7-24-92					
TOLERANCES UNLESS OTHERWISE SPECIFIED:		APVD K.BEAVER 7-24-92	NAME RECEPTACLE ASSEMBLY, STD SEX, SERIES 2, 23-63, CPC				
0 PLC ± - 1 PLC ± - 2 PLC ± - 3 PLC ± .005 4 PLC ± - ANGLES ± -		PRODUCT SPEC 108-10024	SIZE A2	CAGE CODE 00779	DRAWING NO C-205843	RESTRICTED TO -	
MATERIAL THERMOPLASTIC, BLACK		FINISH -	WEIGHT -		SCALE 2:1	SHEET 1 OF 1	REV F1
CUSTOMER DRAWING							