



Chipsmall Limited consists of a professional team with an average of over 10 year of expertise in the distribution of electronic components. Based in Hongkong, we have already established firm and mutual-benefit business relationships with customers from,Europe,America and south Asia,supplying obsolete and hard-to-find components to meet their specific needs.

With the principle of "Quality Parts,Customers Priority,Honest Operation,and Considerate Service",our business mainly focus on the distribution of electronic components. Line cards we deal with include Microchip,ALPS,ROHM,Xilinx,Pulse,ON,Everlight and Freescale. Main products comprise IC,Modules,Potentiometer,IC Socket,Relay,Connector.Our parts cover such applications as commercial,industrial, and automotives areas.

We are looking forward to setting up business relationship with you and hope to provide you with the best service and solution. Let us make a better world for our industry!



## Contact us

Tel: +86-755-8981 8866 Fax: +86-755-8427 6832

Email & Skype: info@chipsmall.com Web: www.chipsmall.com

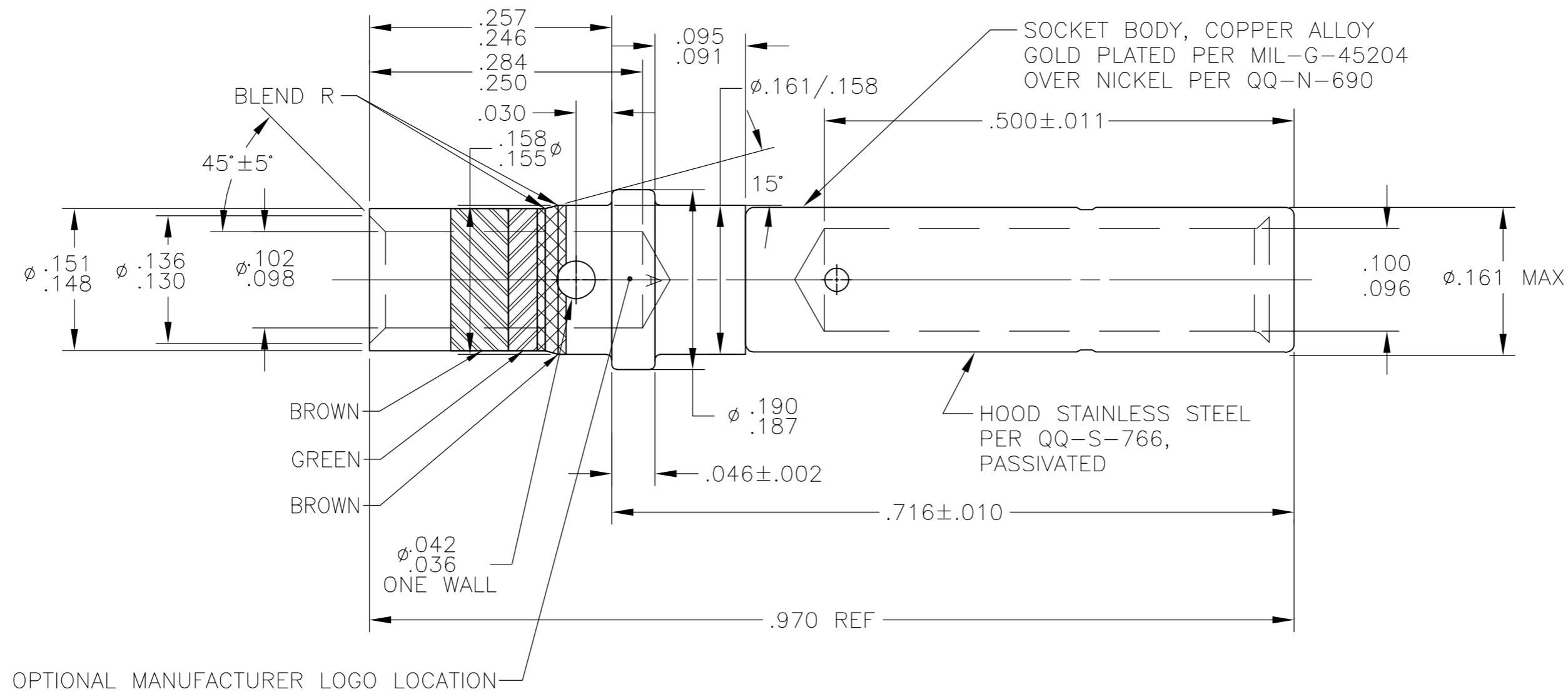
Address: A1208, Overseas Decoration Building, #122 Zhenhua RD., Futian, Shenzhen, China



THIS DRAWING IS UNPUBLISHED. RELEASED FOR PUBLICATION  
 © COPYRIGHT BY TYCO ELECTRONICS CORPORATION. ALL RIGHTS RESERVED.

LOC	DIST	REVISIONS					
DF	A5	P	LTR	DESCRIPTION	DATE	DWN	APVD
		L		REV PER EC 0H14-0154-04	17JAN06	TK	CT

- 205851-2 1. AS SHOWN
- OBSOLETE 205851-3 1. SAME AS -2 EXCEPT  
2. -  
3. SINGLE YELLOW BAND
- OBSOLETE 205851-4 1. SAME AS -2 EXCEPT:  
2. SOCKET BODY PLATED SILVER PER QQ-S-365.  
3. CONFORMS TO THE REQUIREMENTS OF M39029/12-151.



1. POINT OF PLATING THICKNESS MEASUREMENT  
.100/.150 FROM WIRE BARREL END EXTERIOR

205851-1 1. SAME AS -2 EXCEPT:  
2. NOT COLOR CODED

THIS DRAWING IS A CONTROLLED DOCUMENT.		DWN C.C.THOMAS 10/14/98	Tyco Electronics Corporation Harrisburg, PA 17105-3608																						
DIMENSIONS: INCHES		CHK D.BELL 10/14/98																							
TOLERANCES UNLESS OTHERWISE SPECIFIED:		APVD D.BELL 10/14/98	NAME CONTACT ASSEMBLY, #12 SOCKET TYPE XVII-RM																						
<table border="1"> <tr><td>0 PLC</td><td>±</td><td>-</td></tr> <tr><td>1 PLC</td><td>±</td><td>-</td></tr> <tr><td>2 PLC</td><td>±</td><td>-</td></tr> <tr><td>3 PLC</td><td>±</td><td>-</td></tr> <tr><td>4 PLC</td><td>±</td><td>-</td></tr> <tr><td>ANGLES</td><td>±</td><td>-</td></tr> <tr><td>FINISH</td><td>-</td><td>-</td></tr> </table>		0 PLC	±	-	1 PLC	±	-	2 PLC	±	-	3 PLC	±	-	4 PLC	±	-	ANGLES	±	-	FINISH	-	-	PRODUCT SPEC APPLICATION SPEC	SIZE A2	CAGE CODE 00779
0 PLC	±	-																							
1 PLC	±	-																							
2 PLC	±	-																							
3 PLC	±	-																							
4 PLC	±	-																							
ANGLES	±	-																							
FINISH	-	-																							
MATERIAL		WEIGHT	DRAWING NO C=205851	RESTRICTED TO																					
CUSTOMER DRAWING		SCALE 8:1	SHEET 1 of 1	REV L																					