



Chipsmall Limited consists of a professional team with an average of over 10 year of expertise in the distribution of electronic components. Based in Hongkong, we have already established firm and mutual-benefit business relationships with customers from,Europe,America and south Asia,supplying obsolete and hard-to-find components to meet their specific needs.

With the principle of “Quality Parts,Customers Priority,Honest Operation,and Considerate Service”,our business mainly focus on the distribution of electronic components. Line cards we deal with include Microchip,ALPS,ROHM,Xilinx,Pulse,ON,Everlight and Freescale. Main products comprise IC,Modules,Potentiometer,IC Socket,Relay,Connector.Our parts cover such applications as commercial,industrial, and automotives areas.

We are looking forward to setting up business relationship with you and hope to provide you with the best service and solution. Let us make a better world for our industry!



Contact us

Tel: +86-755-8981 8866 Fax: +86-755-8427 6832

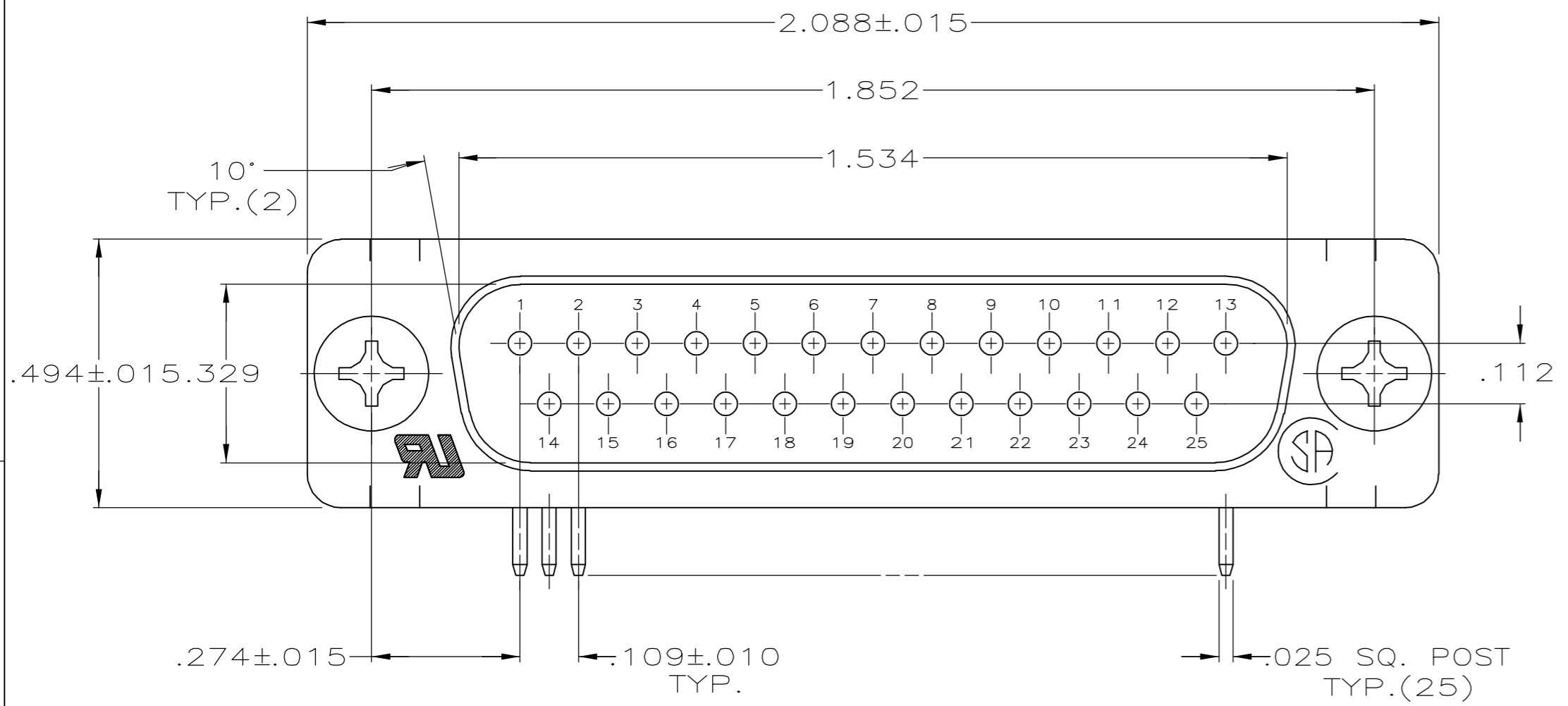
Email & Skype: info@chipsmall.com Web: www.chipsmall.com

Address: A1208, Overseas Decoration Building, #122 Zhenhua RD., Futian, Shenzhen, China

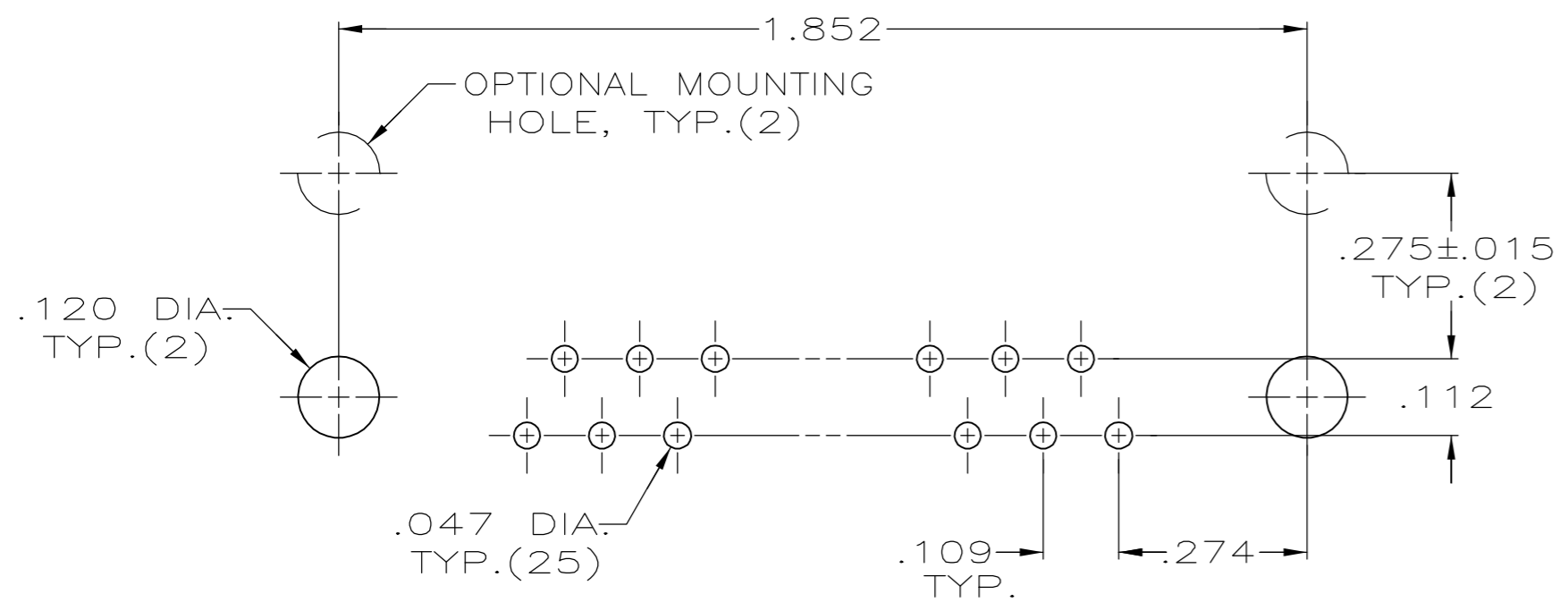
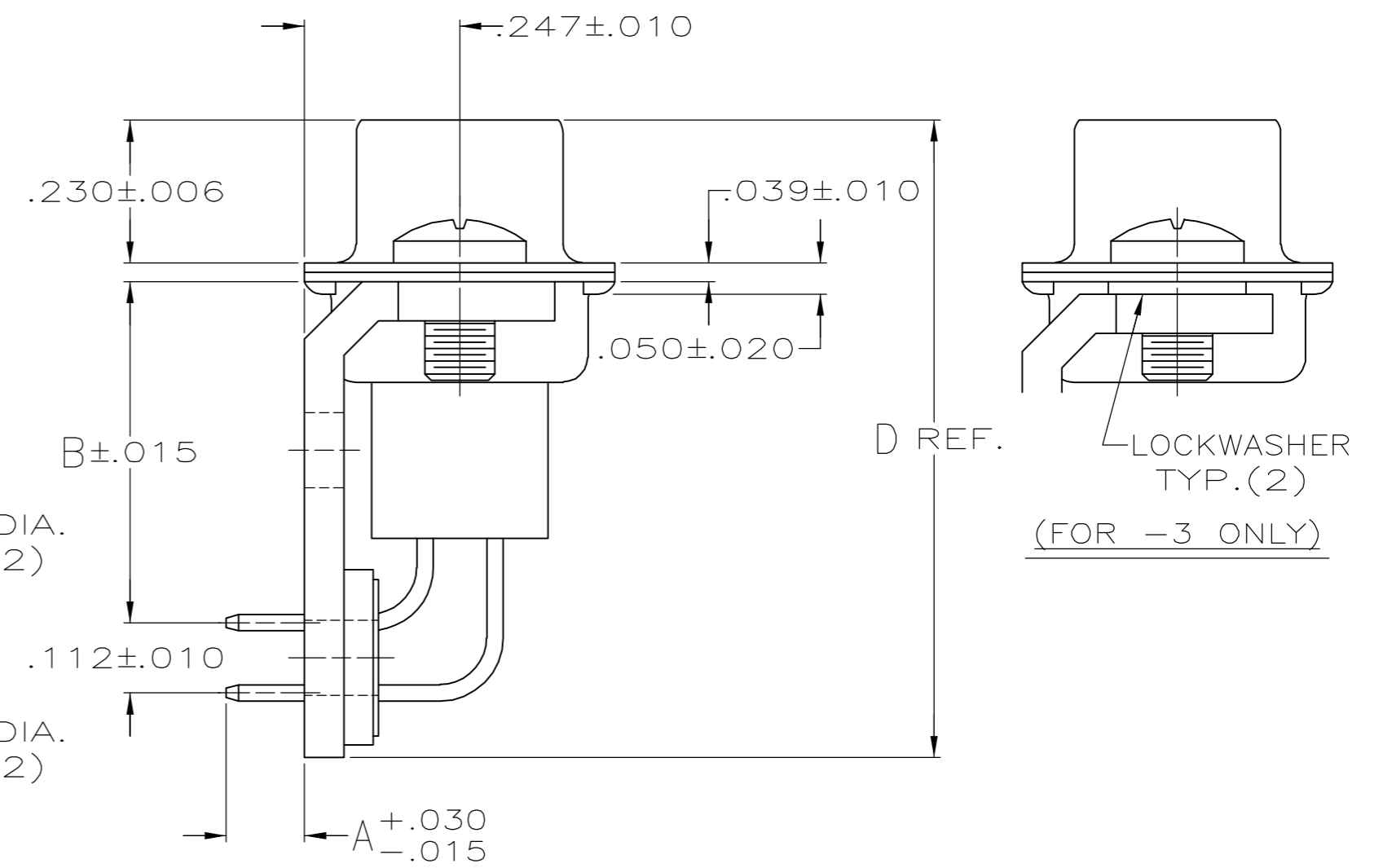
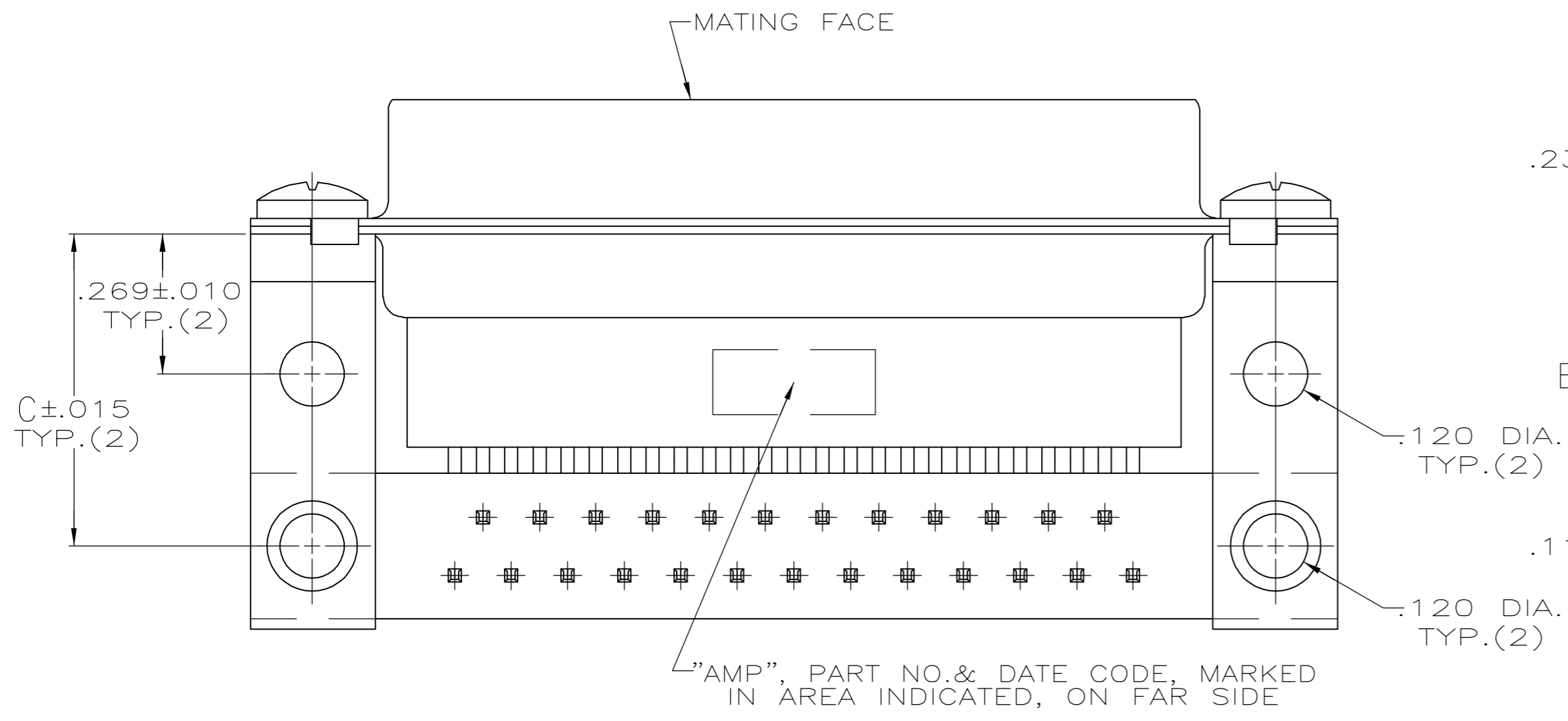


THIS DRAWING IS UNPUBLISHED. RELEASED FOR PUBLICATION
 © COPYRIGHT BY TYCO ELECTRONICS CORPORATION. ALL RIGHTS RESERVED.

LOC		DIST		REVISIONS			
GP	00	P	LTR	DESCRIPTION	DATE	DWN	APVD
		P		REVISED PER EC 0513-0341-05	29JUN06	BM	SB



- CONNECTOR MATES WITH ANY 25 POS. RECEPTACLE IN AMPLIMITE SERIES & COMPLIES WITH AMP SPEC. 108-40,005 WHERE APPLICABLE.
- FLAME RETARDANT 94V-0 RATED THERMOPLASTIC; COLOR: BLACK.
- STEEL PER ASTM A109.
- BRASS PER MIL-C-50.
- ZINC PLATING PER ASTM B633; TYPE II; CLASS SC1; YELLOW CHROMATE, GOLD PLATING PER MIL-G-45204, NICKEL PLATING PER QQ-N-290.
- ZINC PLATED.
- GOLD PLATED FOR LENGTH OF .150 MIN FROM MATING END, GOLD FLASH IN MATED AREA, .000100 MIN TIN-LEAD ON OPPOSITE END, BOTH OVER .000050 MIN NICKEL.
- GOLD PLATED FOR LENGTH OF .150 MIN FROM MATING END, .000030 MIN GOLD IN MATED AREA, .000100 MIN TIN-LEAD ON OPPOSITE END, BOTH OVER .000050 MIN NICKEL.



P.C. BOARD MOUNTING DIMENSIONS

OBSOLETE	1.049	.620	.565	.102	7	205857-3
OBSOLETE	1.029	.600	.545	.125	8	205857-2
	1.029	.600	.545	.125	7	205857-1
	D	C	B	A	CONTACT FINISH	PART NUMBER

THIS DRAWING IS A CONTROLLED DOCUMENT.		DWN	J.GERACE	12-13-83	Tyco Electronics Corporation Harrisburg, PA 17105-3608
DIMENSIONS: INCHES		CHK	J.GERACE	12-13-83	
TOLERANCES UNLESS OTHERWISE SPECIFIED:		APVD	P.SWEIGARD	3-15-84	
0 PLC ± - 1 PLC ± - 2 PLC ± - 3 PLC ± .003 4 PLC ± - ANGLES ± - FINISH		PRODUCT SPEC	NAME		
MATERIAL		APPLICATION SPEC	PLUG ASSEMBLY, SIZE 3, 25 POS., RIGHT ANGLE, .545 SERIES, .025 SQ. POSTS, AMPLIMITE HDP		
		WEIGHT	-		RESTRICTED TO
CUSTOMER DRAWING		SCALE	4:1		REV
		SHEET	1 of 1		P

20585705857