



Chipsmall Limited consists of a professional team with an average of over 10 year of expertise in the distribution of electronic components. Based in Hongkong, we have already established firm and mutual-benefit business relationships with customers from,Europe,America and south Asia,supplying obsolete and hard-to-find components to meet their specific needs.

With the principle of "Quality Parts,Customers Priority,Honest Operation,and Considerate Service",our business mainly focus on the distribution of electronic components. Line cards we deal with include Microchip,ALPS,ROHM,Xilinx,Pulse,ON,Everlight and Freescale. Main products comprise IC,Modules,Potentiometer,IC Socket,Relay,Connector.Our parts cover such applications as commercial,industrial, and automotives areas.

We are looking forward to setting up business relationship with you and hope to provide you with the best service and solution. Let us make a better world for our industry!



Contact us

Tel: +86-755-8981 8866 Fax: +86-755-8427 6832

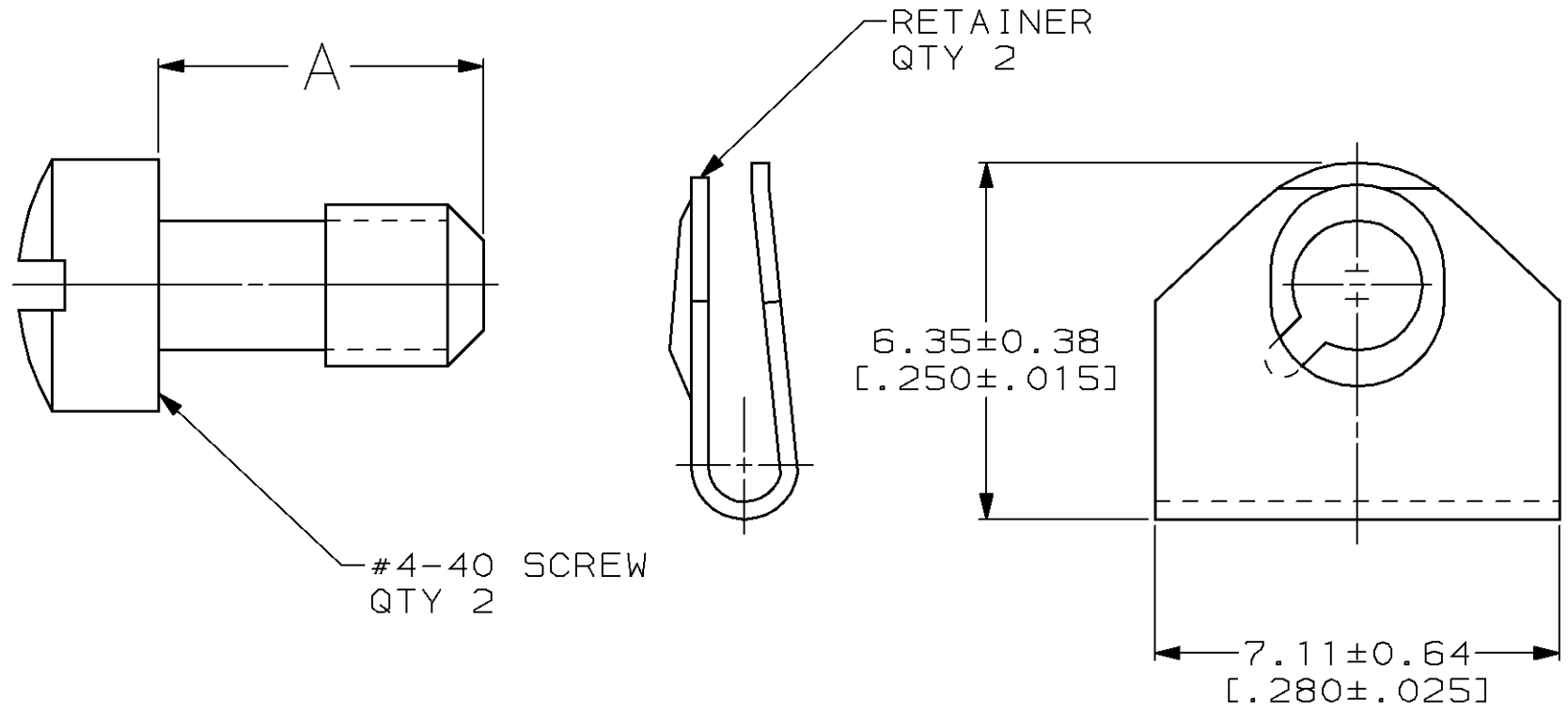
Email & Skype: info@chipsmall.com Web: www.chipsmall.com

Address: A1208, Overseas Decoration Building, #122 Zhenhua RD., Futian, Shenzhen, China

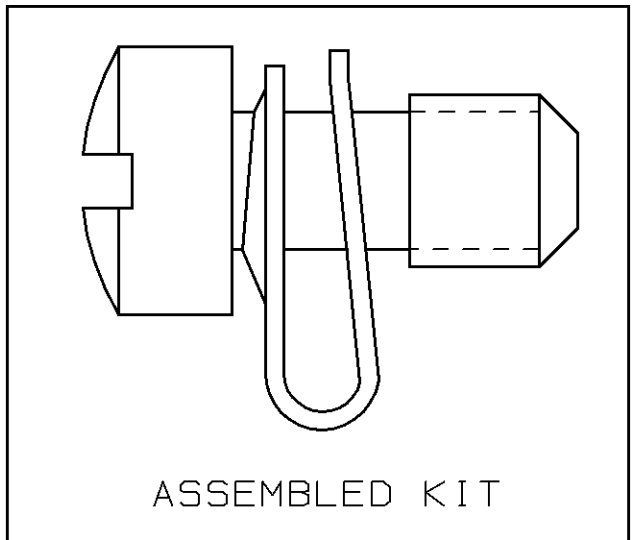


THIS DRAWING IS UNPUBLISHED. RELEASED FOR PUBLICATION, 19 .
 © COPYRIGHT 19 BY AMP INCORPORATED. ALL INTERNATIONAL RIGHTS RESERVED.

LOC	DIST	P	F	REVISIONS				
				ZONE	LTR	DESCRIPTION	DATE	APPD
BD	48				L	REDRAWN & REV PER ECN BD3729	3-8-90	-
					M	REV PER ECN BD4276	12/10/90	-
					M1	ADDED -6 PER NPR 4839	07/07/93	NB
					N	OBS -6 PER EC 0420-141-96	17 SEPT 97	SB



1. PARTS PACKAGED UNASSEMBLED.
2. STAINLESS STEEL PER ASTM A666.
3. PACKAGING MARKED WITH AMP, PART NO & DATE CODE.
4. 3.81 μm [.000150] MIN ZINC PLATED PER ASTM B633, TYPE II, CLASS SC1, YELLOW CHROMATE.
5. 3.81 μm [.000150] MIN ZINC PLATED PER ASTM B633, TYPE III, CLASS SC1, CLEAR CHROMATE.
6. PARTS INDIVIDUALLY BULK PACKED AND SHIPPED AS A UNIT PACKAGE.
7. PARTS PACKAGED AS A UNIT KIT.
8. SMALL PACK PACKAGING.



OBSOLETE	3	8	4	5.59±0.25 [.220±.010]	205980-6
	3	6	5	5.59±0.25 [.220±.010]	205980-5
	3	7	5	5.59±0.25 [.220±.010]	205980-4
	3	6	4	5.59±0.25 [.220±.010]	205980-3
OBSOLETE	3	7	4	4.78±0.38 [.188±.015]	205980-2
	3	7	4	5.59±0.25 [.220±.010]	205980-1
	MARKING	PACKAGING	SCREW FINISH	A	PART NO

METRIC

DO NOT SCALE PRINT. UNLESS SPECIFIED DIMENSIONS IN mm [INCHES] TOLERANCES ON: 2 PLC DEC ± 0.13 [.005] 3 PLC DEC ± - ANGLES ± -		DR 3/8/90 B. NOYER	AMP INCORPORATED Harrisburg, Pa. 17105
MATERIAL SCREWS: CARBON STEEL RETAINERS: 2		CHK 3-9-90 W.G. LENKER	
FINISH SCREWS: SEE TABLE		APPD 3-23-90 B. TAYLOR	NAME KIT, SCREW RETAINER
		APPD 3-23-90 J. ASSINI	SIZE B
		PRODUCT SPEC -	CAGE CODE 00779
		APPLICATION SPEC -	DRAWING NO 205980
		WEIGHT -	SCALE 8:1
			SHEET 1 OF 1