



Chipsmall Limited consists of a professional team with an average of over 10 year of expertise in the distribution of electronic components. Based in Hongkong, we have already established firm and mutual-benefit business relationships with customers from,Europe,America and south Asia,supplying obsolete and hard-to-find components to meet their specific needs.

With the principle of "Quality Parts,Customers Priority,Honest Operation,and Considerate Service",our business mainly focus on the distribution of electronic components. Line cards we deal with include Microchip,ALPS,ROHM,Xilinx,Pulse,ON,Everlight and Freescale. Main products comprise IC,Modules,Potentiometer,IC Socket,Relay,Connector.Our parts cover such applications as commercial,industrial, and automotives areas.

We are looking forward to setting up business relationship with you and hope to provide you with the best service and solution. Let us make a better world for our industry!



Contact us

Tel: +86-755-8981 8866 Fax: +86-755-8427 6832

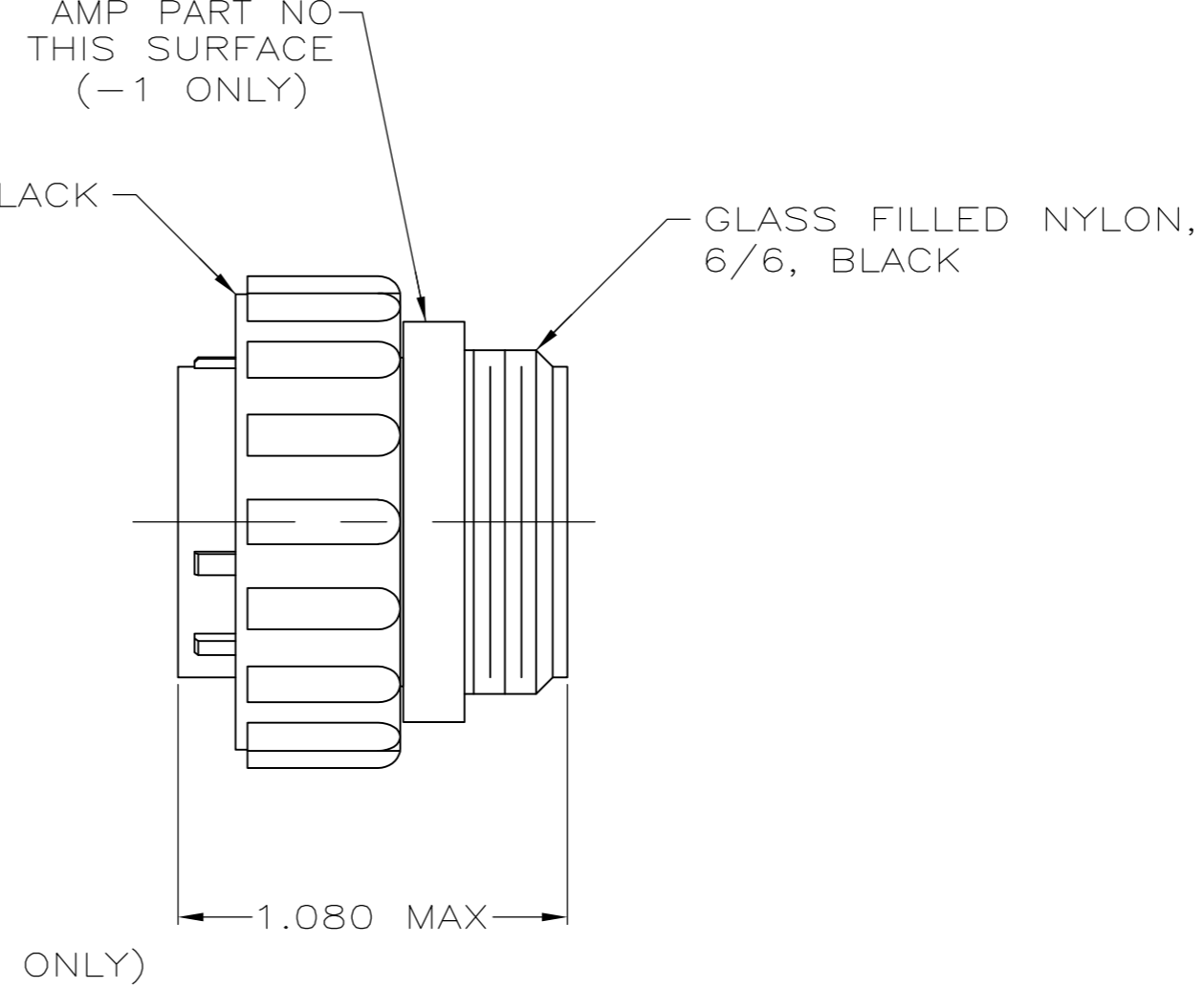
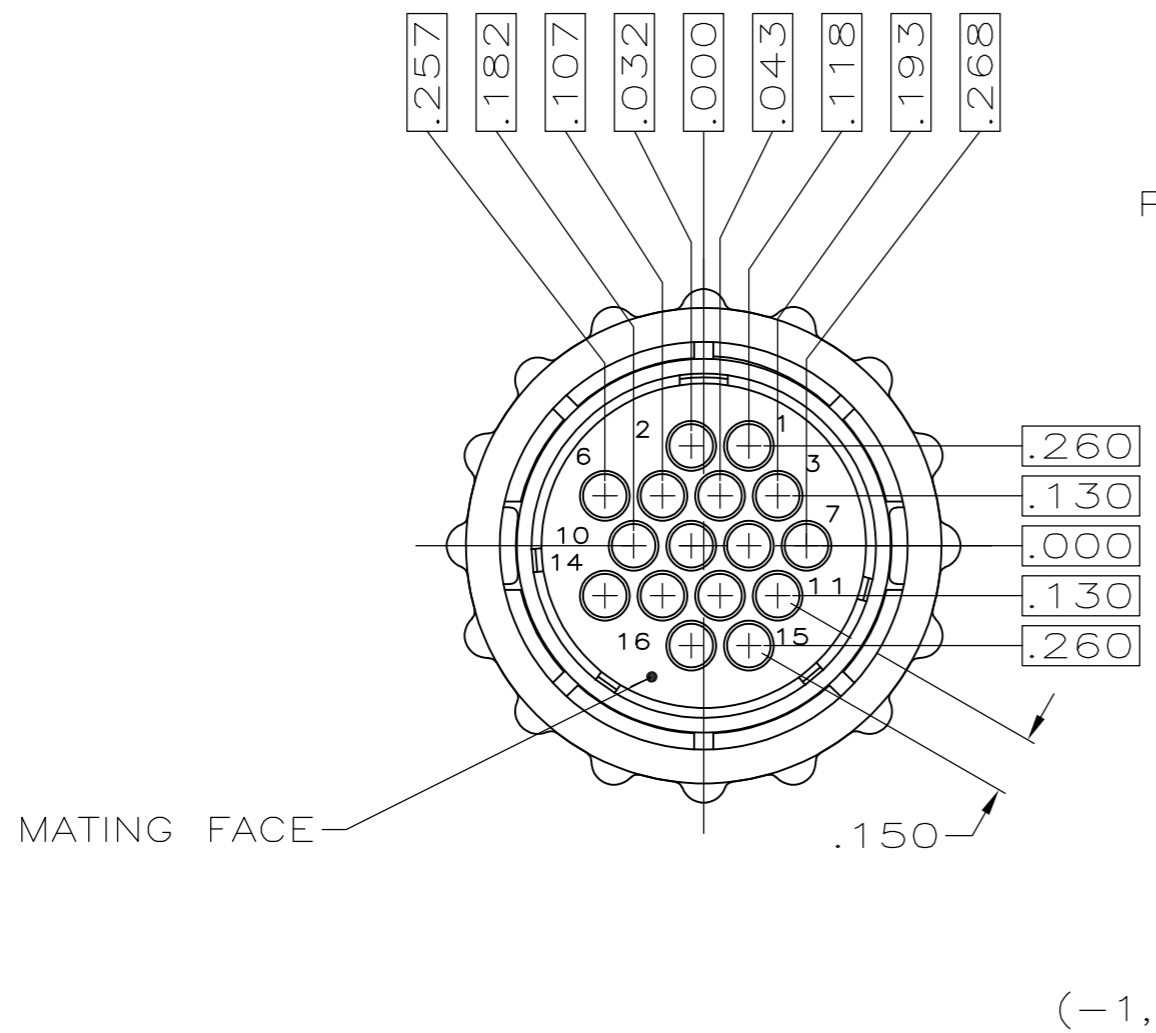
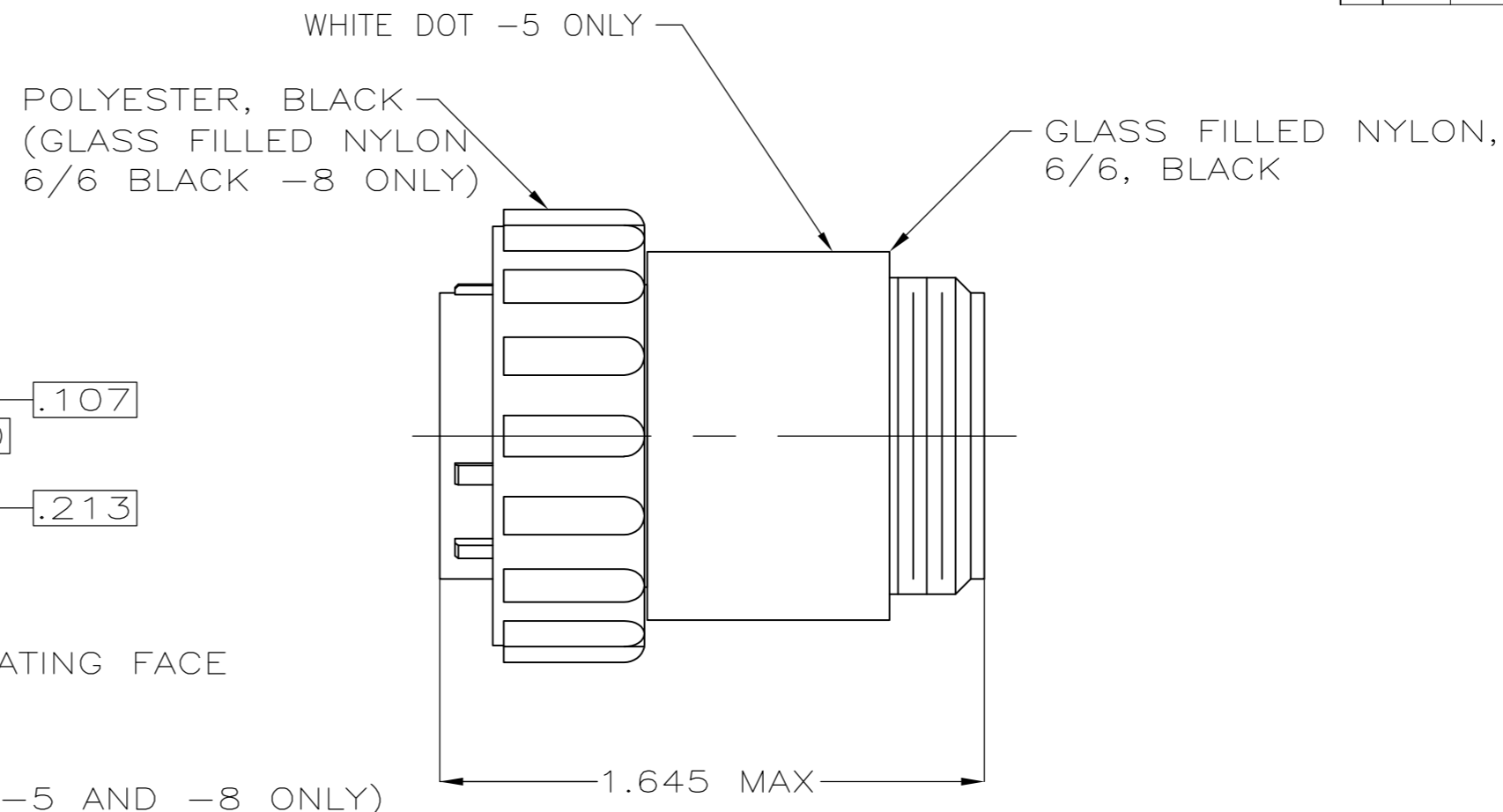
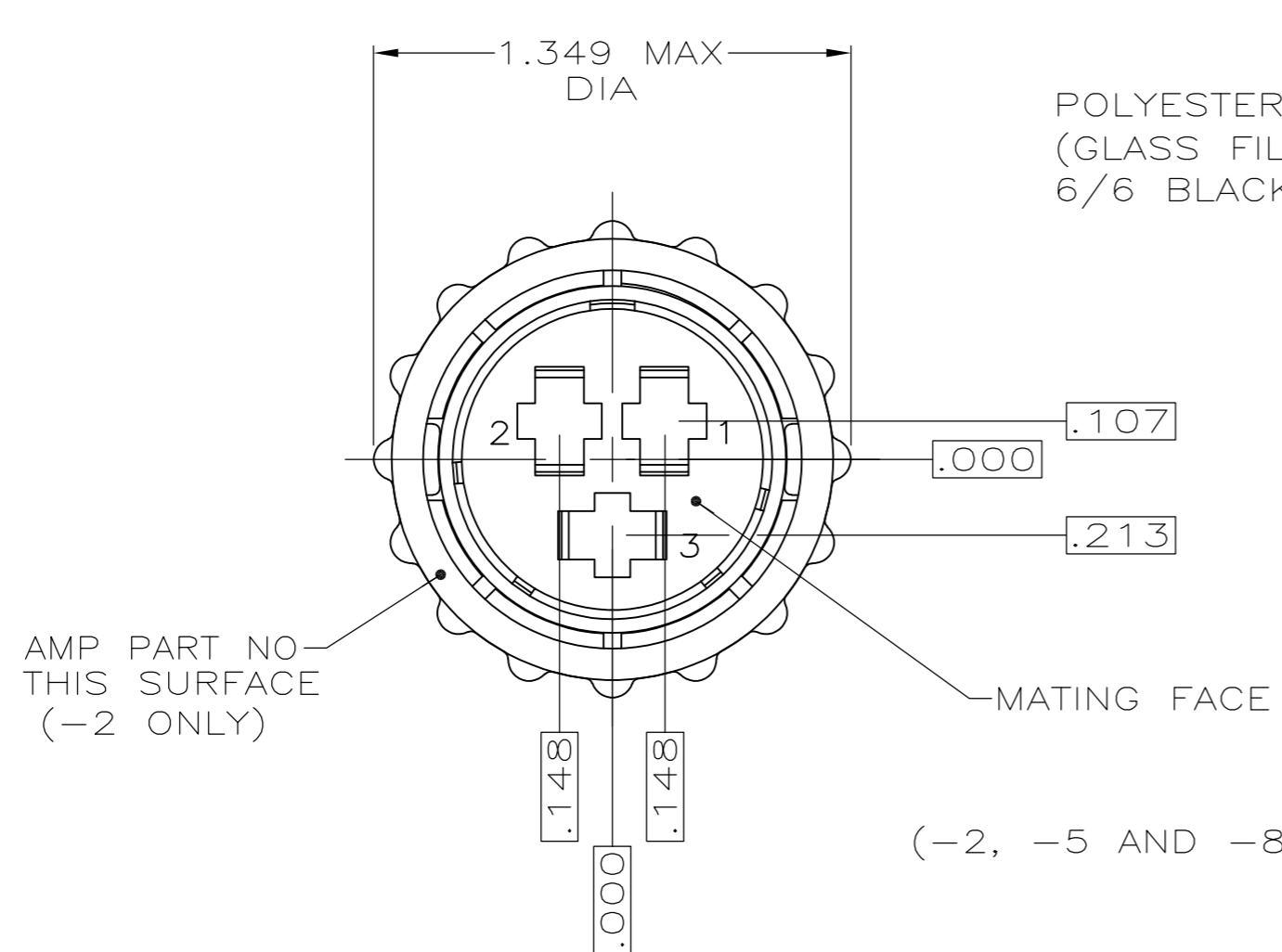
Email & Skype: info@chipsmall.com Web: www.chipsmall.com

Address: A1208, Overseas Decoration Building, #122 Zhenhua RD., Futian, Shenzhen, China



THIS DRAWING IS UNPUBLISHED. RELEASED FOR PUBLICATION
 © COPYRIGHT - By - ALL RIGHTS RESERVED.

LOC		DIST		REVISIONS			
P	LTR	DESCRIPTION	DATE	DWN	APVD		
	K2	REVISED PER ECO-11-012039	14JUN11	HMR	DR		



NOTES:

- 1. CONTACT CAVITIES IDENTIFIED BY CHARACTERS ON FRONT AND REAR FACES OF CONNECTOR.
- 2 PART NUMBER 206037-1, -3 AND -4 WILL ACCEPT (16) MULTIMATE SOCKET CONTACTS.
- 3 PART NUMBER 206037-2, -5 AND -8 WILL ACCEPT (3) TYPE XII SOCKET CONTACTS.
- 4 PRELIMINARY PART NUMBER.
- 5 UL RATED UV(f1) MATERIAL.

5	4	3	206037-8
4	3	2	206037-5
3	2	1	206037-4
2	1		206037-3
1			206037-2
			206037-1
PART NUMBER			

THIS DRAWING IS A CONTROLLED DOCUMENT.		DWN	S.RIDGLEY	BG	8/3/90	STE TE Connectivity	
DIMENSIONS: INCHES		CHK	R.STONE		04/26/91		
TOLERANCES UNLESS OTHERWISE SPECIFIED:		APVD		-		NAME	
0 PLC ± -		PRODUCT SPEC		-		PLUG ASSEMBLY, SHELL SIZE 17, STANDARD SEX, CPC	
1 PLC ± -		APPLICATION SPEC		-		SIZE	
2 PLC ± -		WEIGHT		-		CAGE CODE	
3 PLC ± .005		CUSTOMER DRAWING		A2		00779	
4 PLC ± -		SCALE		2:1		SHEET	
4 ANGLES ± -		SHEET		1		1 OF 1	
FINISH		REV		K2		DRAWING NO	
SEE NOTES		RESTRICTED TO		-		DRAWING NO	
		DRAWING NO		C=206037		RESTRICTED TO	
		SCALE		2:1		SHEET	
		SHEET		1		1 OF 1	
		REV		K2		DRAWING NO	
		DRAWING NO		C=206037		RESTRICTED TO	