



Chipsmall Limited consists of a professional team with an average of over 10 year of expertise in the distribution of electronic components. Based in Hongkong, we have already established firm and mutual-benefit business relationships with customers from,Europe,America and south Asia,supplying obsolete and hard-to-find components to meet their specific needs.

With the principle of “Quality Parts,Customers Priority,Honest Operation,and Considerate Service”,our business mainly focus on the distribution of electronic components. Line cards we deal with include Microchip,ALPS,ROHM,Xilinx,Pulse,ON,Everlight and Freescale. Main products comprise IC,Modules,Potentiometer,IC Socket,Relay,Connector.Our parts cover such applications as commercial,industrial, and automotives areas.

We are looking forward to setting up business relationship with you and hope to provide you with the best service and solution. Let us make a better world for our industry!



Contact us

Tel: +86-755-8981 8866 Fax: +86-755-8427 6832

Email & Skype: info@chipsmall.com Web: www.chipsmall.com

Address: A1208, Overseas Decoration Building, #122 Zhenhua RD., Futian, Shenzhen, China



THIS DRAWING IS UNPUBLISHED.

RELEASED FOR PUBLICATION

ALL RIGHTS RESERVED.

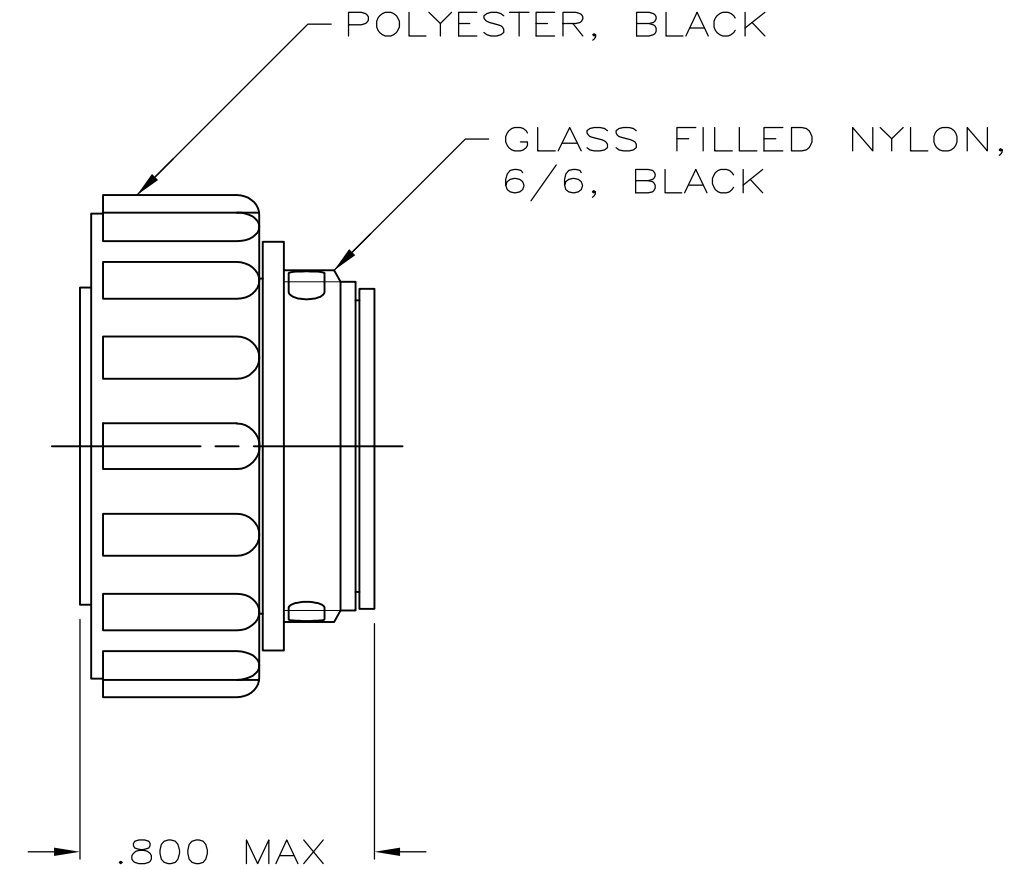
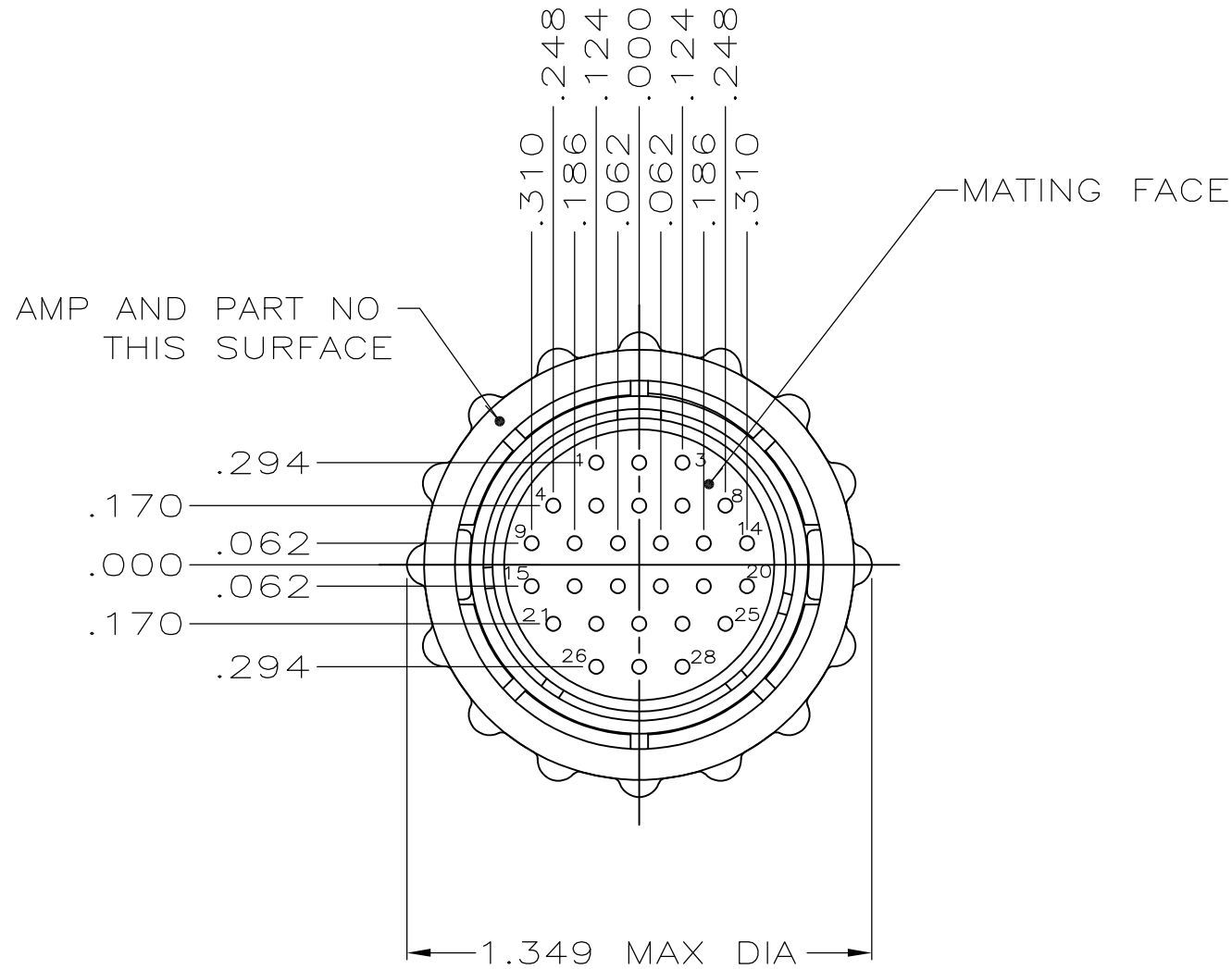
© COPYRIGHT - By -

LOC
FT

DIST
4


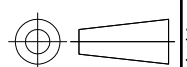
REVISIONS

P	LTR	DESCRIPTION	DATE	DWN	APVD
F1		REVISED PER ECO-11-004820	11MAR11	RK	HMR



206039-1
PART NUMBER

- CONTACT CAVITIES IDENTIFIED BY CHARACTERS ON FRONT AND REAR FACES OF CONNECTOR.
- WILL ACCEPT (28) SIZE 20 PIN CONTACTS.

THIS DRAWING IS A CONTROLLED DOCUMENT.		DWN A.STAUB BG 4/1/91	 TE Connectivity		
DIMENSIONS: INCHES		CHK W.G.LENKER 7-23-92			
		APVD K.BEAVER 7-23-92	NAME PLUG ASSEMBLY, REV SEX, SERIES 2, 17-28, CPC		
TOLERANCES UNLESS OTHERWISE SPECIFIED:		PRODUCT SPEC 108-10024	SIZE A3		
0 PLC ± - 1 PLC ± - 2 PLC ± - 3 PLC ± .005 4 PLC ± - ANGLES ± -		APPLICATION SPEC -	CAGE CODE 00779	DRAWING NO C-206039	RESTRICTED TO -
MATERIAL SEE CALLOUTS		FINISH -	WEIGHT -	SCALE 2:1	
CUSTOMER DRAWING			SHEET 1 OF 1	REV F1	