



Chipsmall Limited consists of a professional team with an average of over 10 year of expertise in the distribution of electronic components. Based in Hongkong, we have already established firm and mutual-benefit business relationships with customers from,Europe,America and south Asia,supplying obsolete and hard-to-find components to meet their specific needs.

With the principle of “Quality Parts,Customers Priority,Honest Operation,and Considerate Service”,our business mainly focus on the distribution of electronic components. Line cards we deal with include Microchip,ALPS,ROHM,Xilinx,Pulse,ON,Everlight and Freescale. Main products comprise IC,Modules,Potentiometer,IC Socket,Relay,Connector.Our parts cover such applications as commercial,industrial, and automotives areas.

We are looking forward to setting up business relationship with you and hope to provide you with the best service and solution. Let us make a better world for our industry!



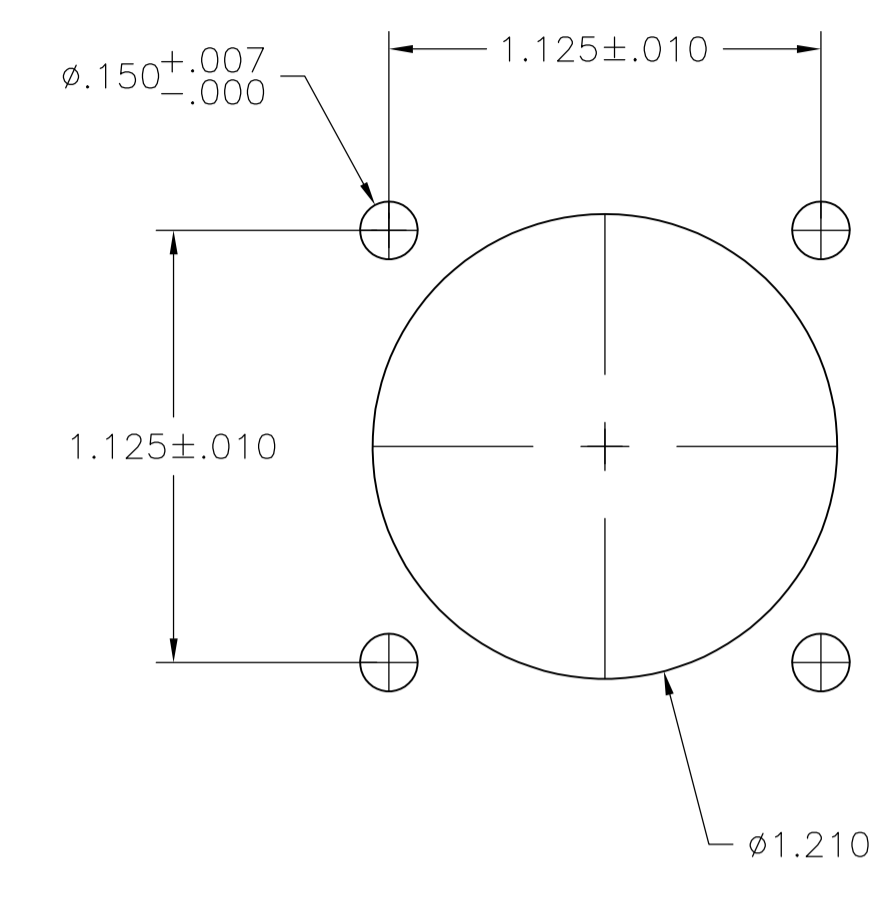
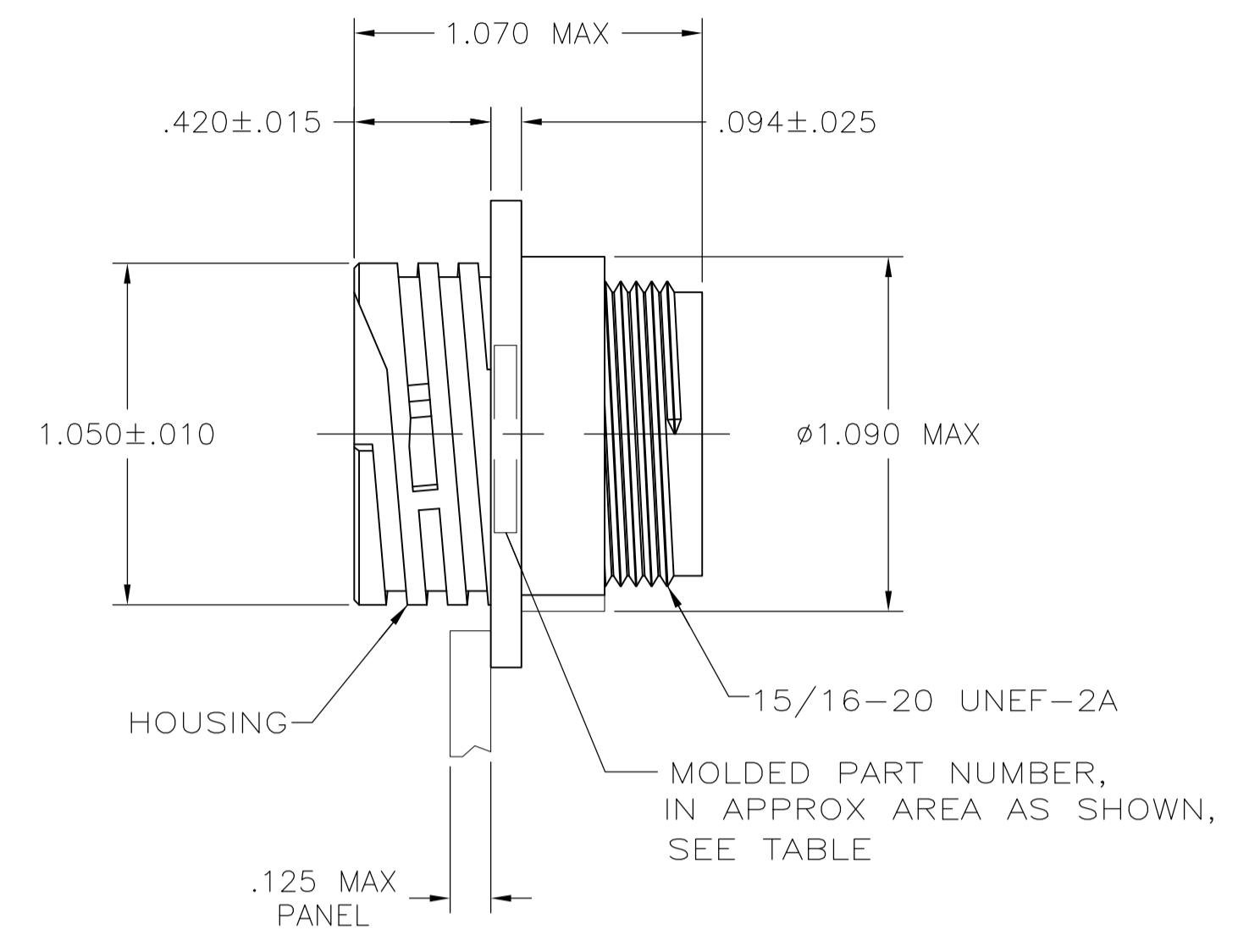
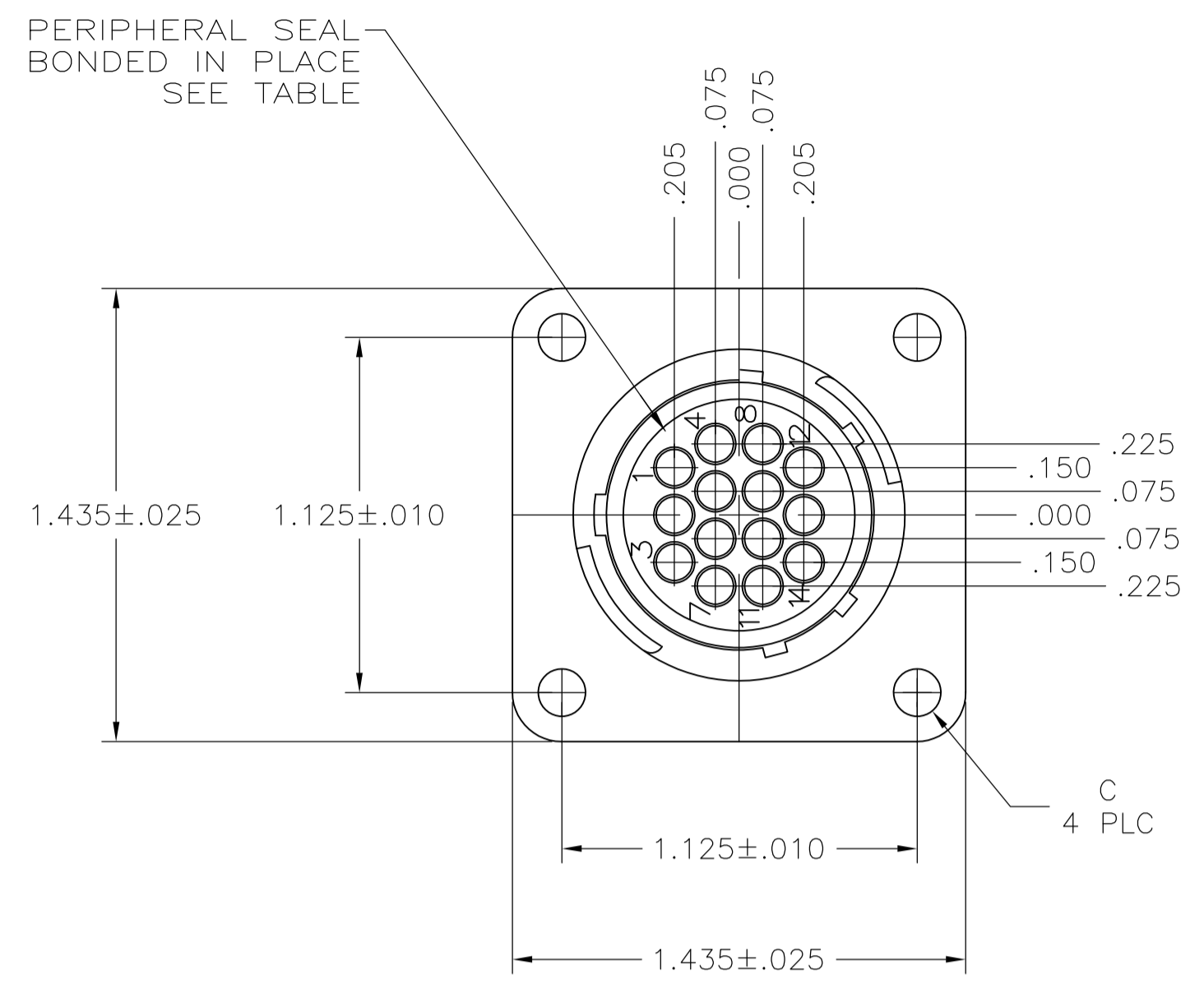
## Contact us

Tel: +86-755-8981 8866 Fax: +86-755-8427 6832

Email & Skype: info@chipsmall.com Web: www.chipsmall.com

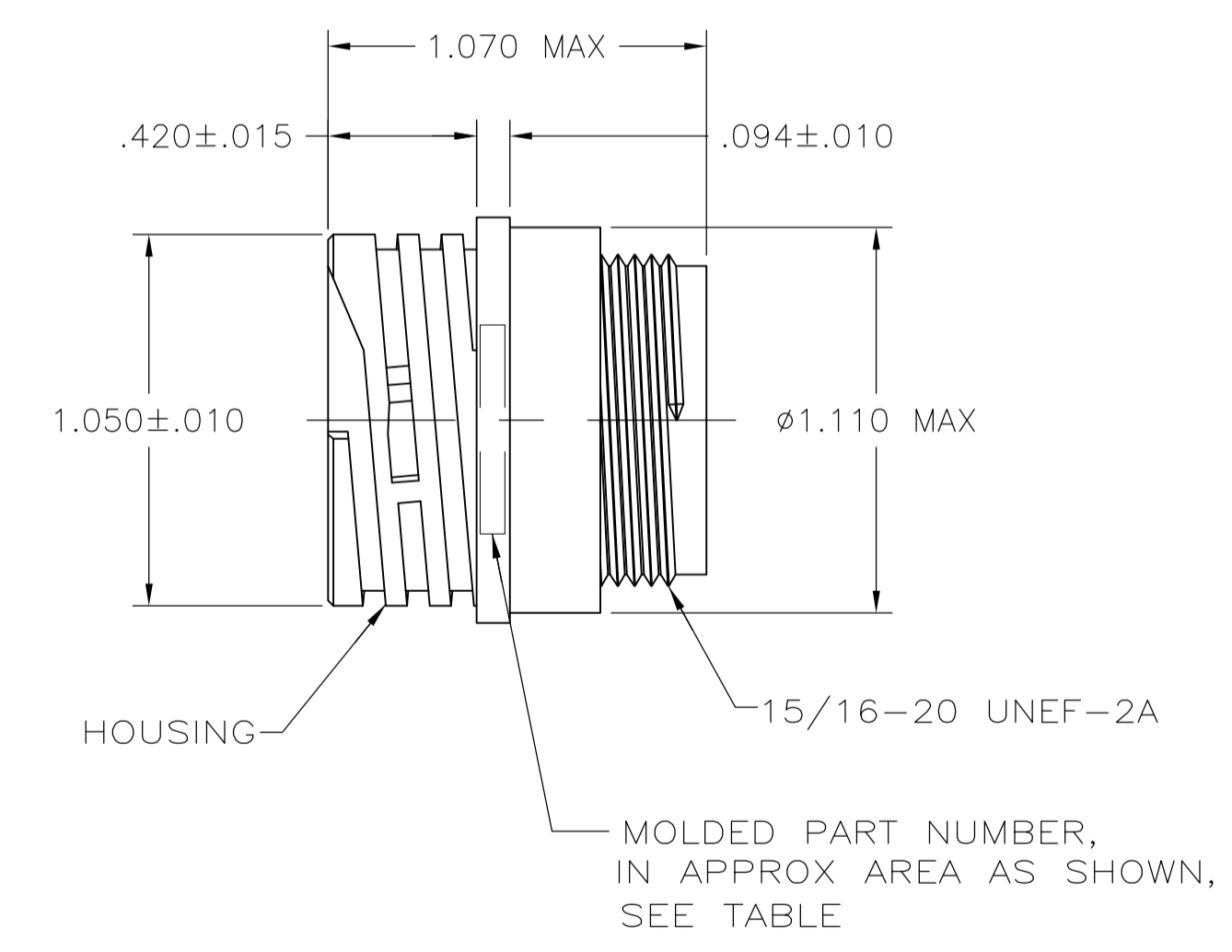
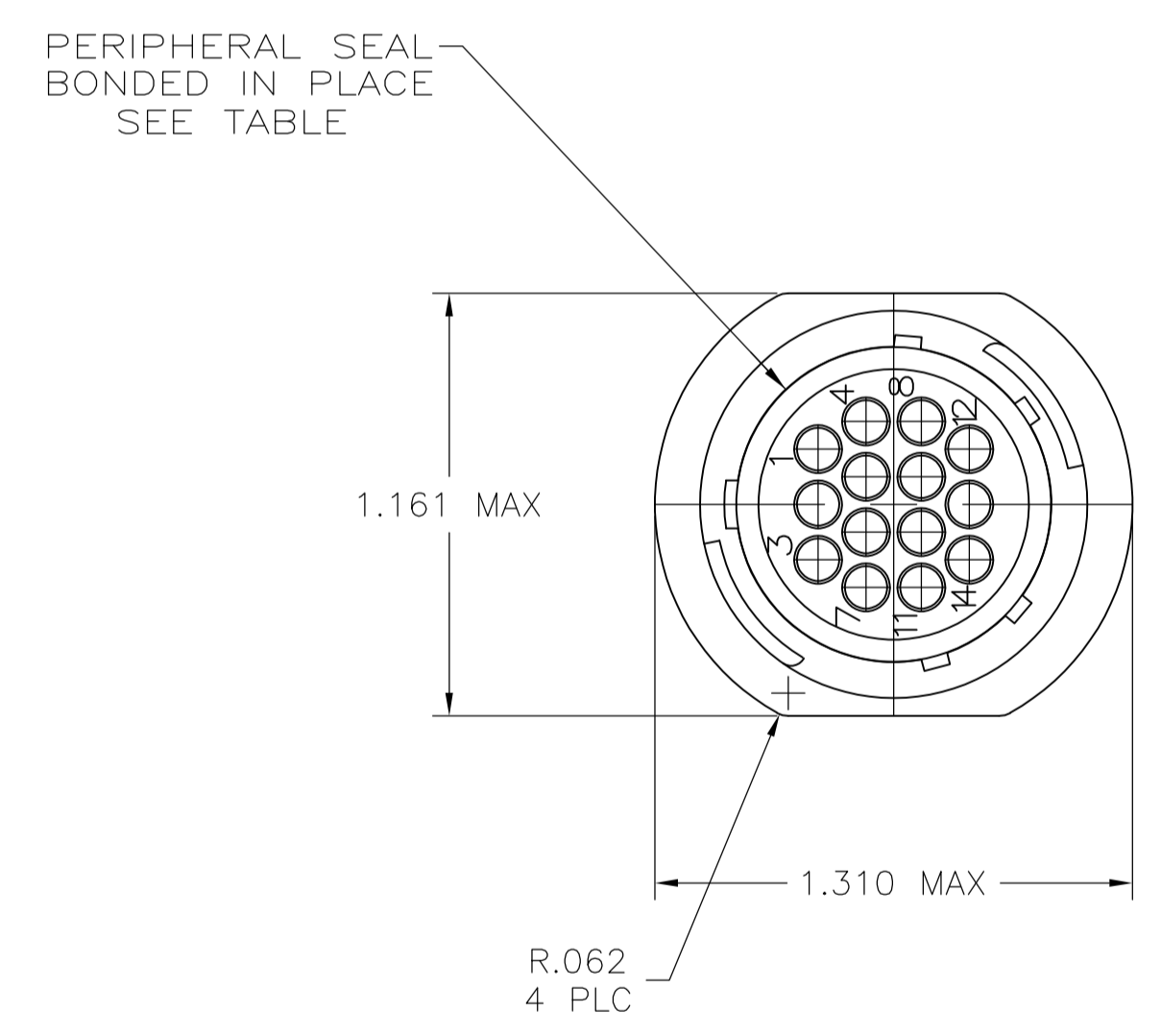
Address: A1208, Overseas Decoration Building, #122 Zhenhua RD., Futian, Shenzhen, China





RECOMMENDED PANEL CUTOUT

DETAIL A



DETAIL B

- 1 CAVITY IDENTIFICATION ON FRONT AND REAR FACE.
- 2 WILL ACCEPT FOURTEEN (14) MULTIMATE SOCKET CONTACTS.
- 3 PRELIMINARY PART NUMBER.
- 4 OBSOLETE PARTS: OBSOLETE CIS STREAMLINING PER D.RENAUD/D.SINISI

|   |                       |                    |            |                 |            |          |
|---|-----------------------|--------------------|------------|-----------------|------------|----------|
| 3 | 4-40 THREADED INSERTS | -                  | STANDARD   | YES             | A          | 206043-8 |
| 4 | Ø.150                 | -                  | SMALL PACK | NO              | A          | 206043-6 |
|   | -                     | -                  | STANDARD   | YES             | B          | 206043-5 |
|   | Ø.150                 | -                  | STANDARD   | YES             | A          | 206043-4 |
|   | -                     | -                  | STANDARD   | NO              | B          | 206043-3 |
|   | Ø.150                 | 206043-1           | STANDARD   | NO              | A          | 206043-1 |
|   | DIM C                 | MOLDED PART NUMBER | PACKAGING  | PERIPHERAL SEAL | SEE DETAIL | PART NO. |

THIS DRAWING IS A CONTROLLED DOCUMENT.

|                               |  |                        |                              |
|-------------------------------|--|------------------------|------------------------------|
| DIMENSIONS: INCHES            | TOLERANCES UNLESS OTHERWISE SPECIFIED: | DIN W. LENKER 09/10/92 | APVD                         |
| 0 PLC ± -                     | 1 PLC ± -                              | CHK R. STONE 08/11/93  | NAME                         |
| 2 PLC ± ± 0.13 [.005]         | 3 PLC ± -                              | PRODUCT SPEC           | 108-10024                    |
| 4 PLC ± -                     | ANGLES ± -                             | APPLICATION SPEC       |                              |
| MATERIAL HOUSING: NYLON BLACK | FINISH -                               | SIZE                   | A1                           |
|                               |  | WEIGHT                 | 00779                        |
|                               |  | CAGE CODE              | 206043                       |
|                               |  | DRAWING NO             | 206043                       |
|                               |  | RESTRICTED TO          |                              |
|                               |  | CUSTOMER DRAWING       | SCALE 2:1 SHEET 1 OF 1 REV S |

**STE** TE Connectivity

RECEPTACLE ASSEMBLY, REVERSE SEX, SERIES 1, 17-14, CPC