



Chipsmall Limited consists of a professional team with an average of over 10 year of expertise in the distribution of electronic components. Based in Hongkong, we have already established firm and mutual-benefit business relationships with customers from,Europe,America and south Asia,supplying obsolete and hard-to-find components to meet their specific needs.

With the principle of “Quality Parts,Customers Priority,Honest Operation,and Considerate Service”,our business mainly focus on the distribution of electronic components. Line cards we deal with include Microchip,ALPS,ROHM,Xilinx,Pulse,ON,Everlight and Freescale. Main products comprise IC,Modules,Potentiometer,IC Socket,Relay,Connector.Our parts cover such applications as commercial,industrial, and automotives areas.

We are looking forward to setting up business relationship with you and hope to provide you with the best service and solution. Let us make a better world for our industry!



Contact us

Tel: +86-755-8981 8866 Fax: +86-755-8427 6832

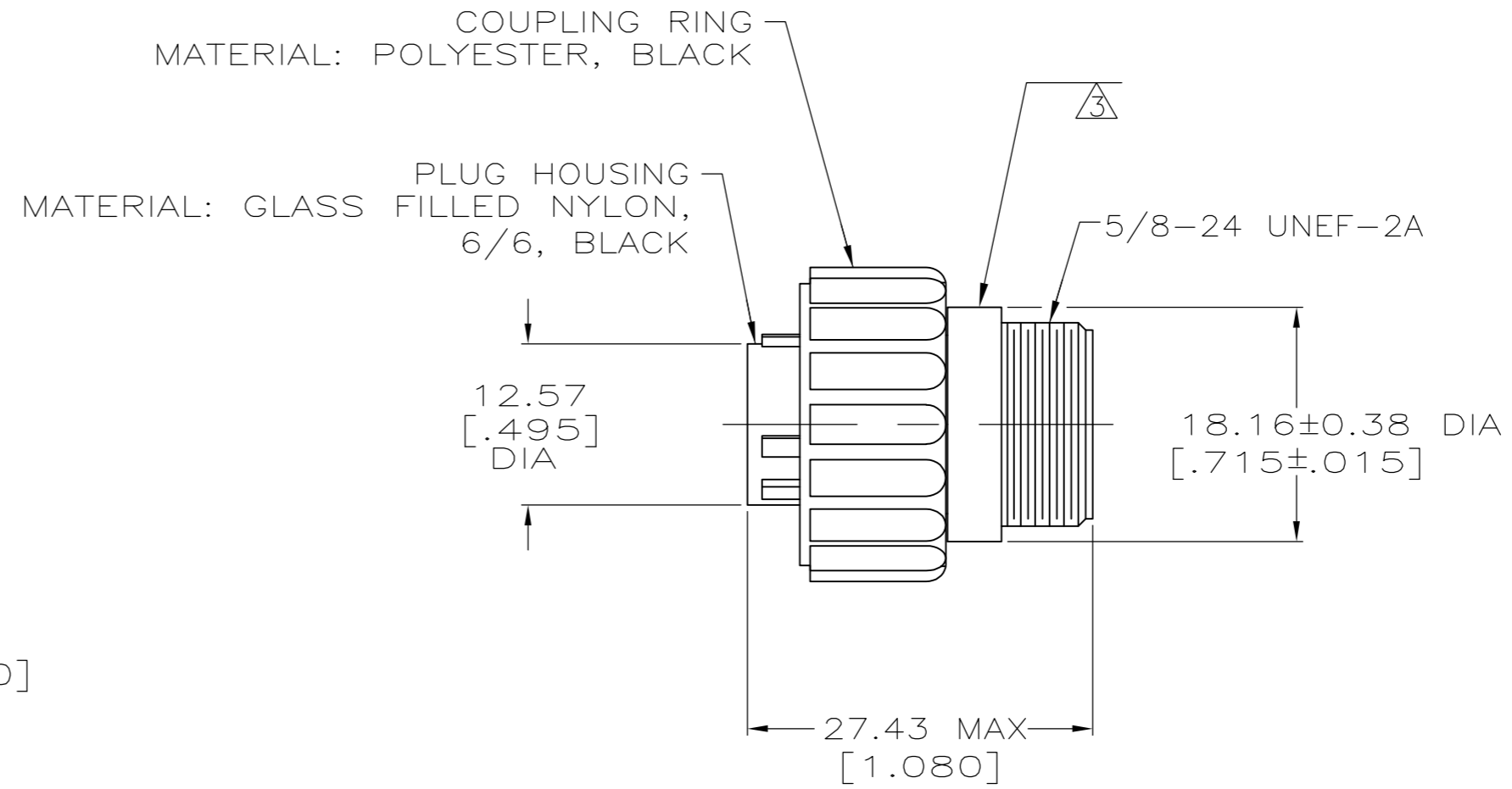
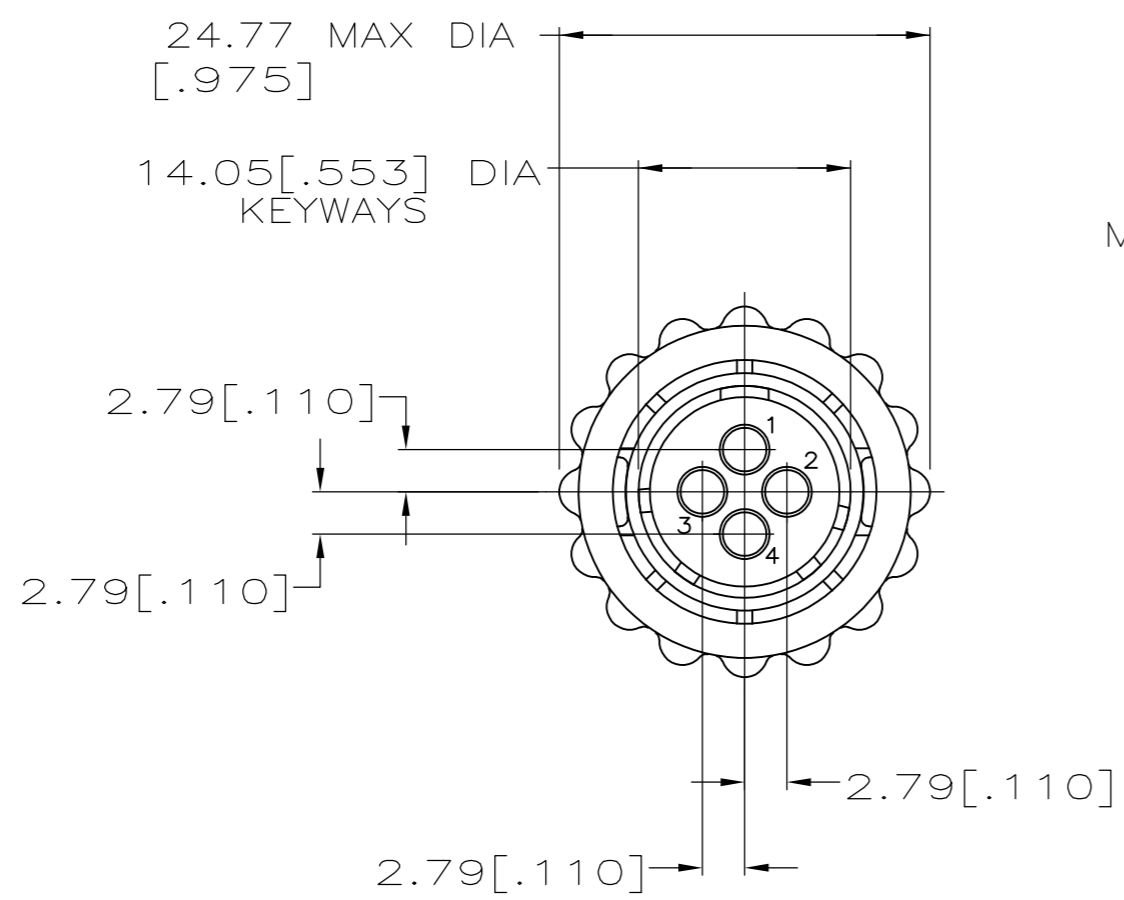
Email & Skype: info@chipsmall.com Web: www.chipsmall.com

Address: A1208, Overseas Decoration Building, #122 Zhenhua RD., Futian, Shenzhen, China



THIS DRAWING IS UNPUBLISHED. RELEASED FOR PUBLICATION
 © COPYRIGHT - By - ALL RIGHTS RESERVED.

LOC		DIST		REVISIONS			
P	LTR	DESCRIPTION		DATE	DWN	APVD	
FT	4	H1		REVISED PER ECO-11-004587	11MAR11	RK HMR	



NOTES:

- CAVITY IDENTIFICATION ON FRONT AND REAR FACE.
 - WILL ACCEPT FOUR (4) MULTIMATE CONTACTS.
- MOLDED PART NUMBER THIS SURFACE. PART NUMBER MAY ALSO APPEAR ON COUPLING RING MATING FACE.

SMALL PACK	206060-2
STANDARD	206060-1
PACKAGING	PART NO.

THIS DRAWING IS A CONTROLLED DOCUMENT.		DWN	D.GELTZ	07/26/93		TE Connectivity							
DIMENSIONS: mm		CHK	R.STONE	08/11/93		NAME							
TOLERANCES UNLESS OTHERWISE SPECIFIED:		APVD	-	-		PRODUCT SPEC							
0 PLC ± - 1 PLC ± - 2 PLC ± 0.13 [.005] 3 PLC ± - 4 PLC ± - ANGLES ± -		APPLICATION SPEC		108-10024		PLUG ASSEMBLY, STANDARD SEX, SERIES 1, 11-4, CPC							
MATERIAL	SEE	FINISH	-	WEIGHT	-	SIZE	A2	CAGE CODE	00779	DRAWING NO	C=206060	RESTRICTED TO	-
CUSTOMER DRAWING				SCALE	2:1	SHEET	1 OF 1	REV	H1				