



Chipsmall Limited consists of a professional team with an average of over 10 year of expertise in the distribution of electronic components. Based in Hongkong, we have already established firm and mutual-benefit business relationships with customers from,Europe,America and south Asia,supplying obsolete and hard-to-find components to meet their specific needs.

With the principle of "Quality Parts,Customers Priority,Honest Operation,and Considerate Service",our business mainly focus on the distribution of electronic components. Line cards we deal with include Microchip,ALPS,ROHM,Xilinx,Pulse,ON,Everlight and Freescale. Main products comprise IC,Modules,Potentiometer,IC Socket,Relay,Connector.Our parts cover such applications as commercial,industrial, and automotives areas.

We are looking forward to setting up business relationship with you and hope to provide you with the best service and solution. Let us make a better world for our industry!



## Contact us

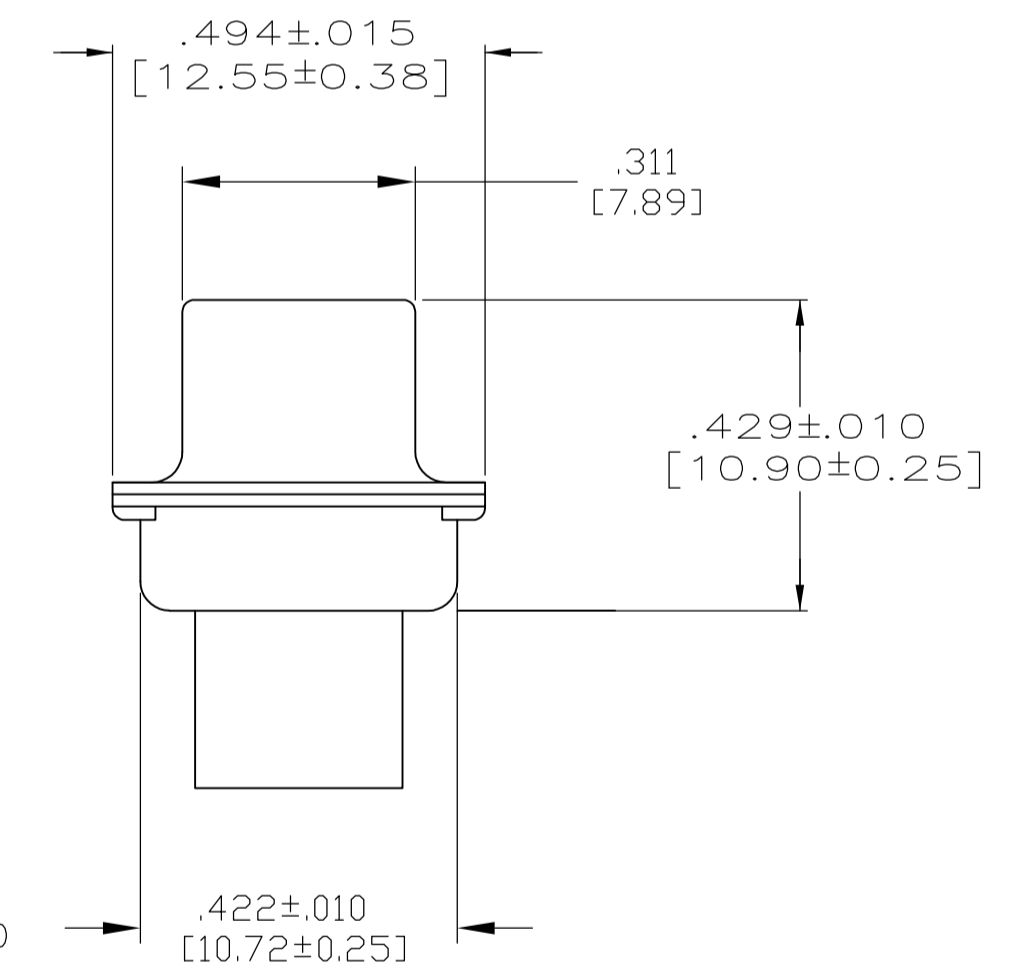
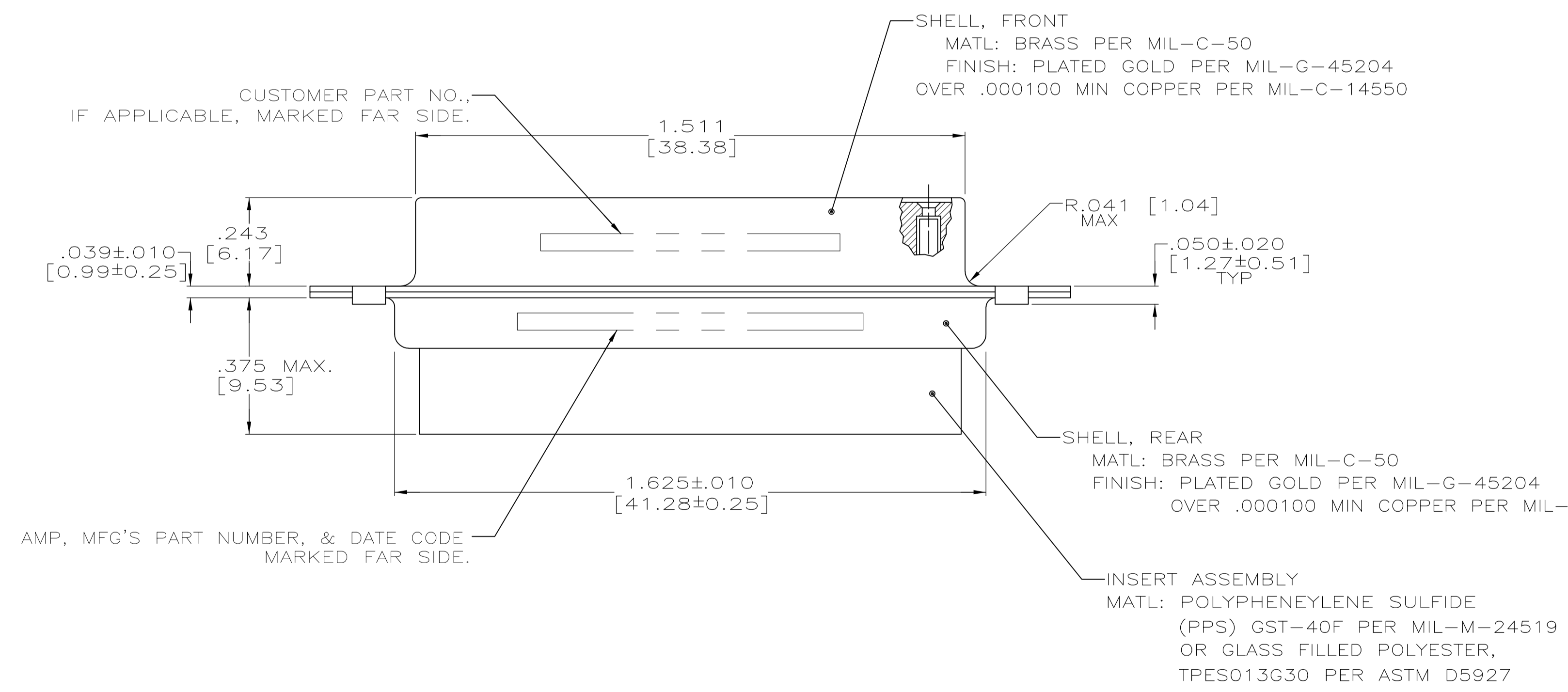
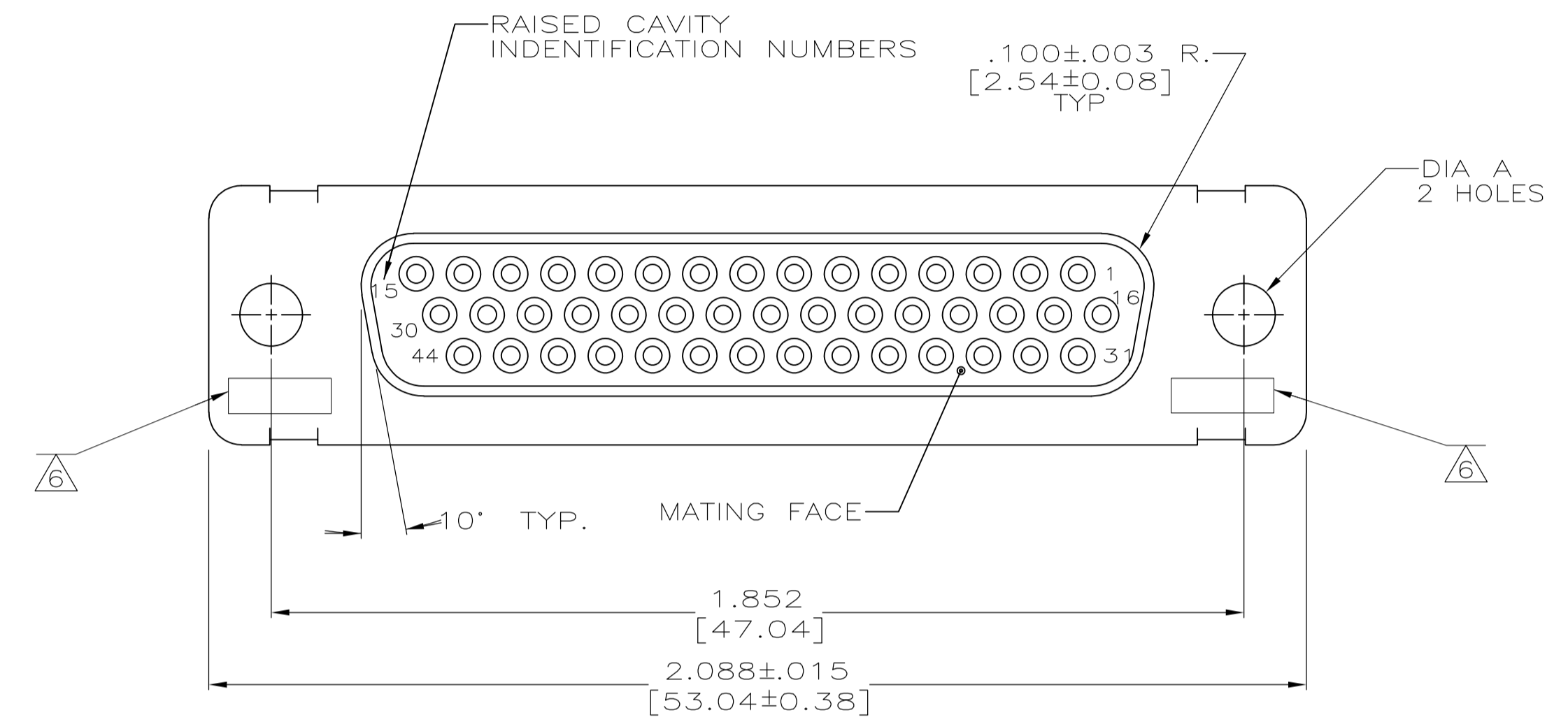
Tel: +86-755-8981 8866 Fax: +86-755-8427 6832

Email & Skype: info@chipsmall.com Web: www.chipsmall.com

Address: A1208, Overseas Decoration Building, #122 Zhenhua RD., Futian, Shenzhen, China



- THIS RECEPTACLE WILL MATE WITH ANY PLUG CONNECTOR WITH THE SAME INSERT ARRANGEMENT AS DEFINED BY MS18275-2.
  - MAXIMUM WIRE INSULATION USED WITH THIS RCPT. IS .054 [1.37] DIA.
  - Be-Cu RETENTION CLIPS ARE INCLUDED IN INSERTS.
- 4 INSPECTION REQUIREMENTS PER R4383.  
 5 CONNECTOR SUPPLIED WITH 49 CONTACTS, MFG'S PART NUMBER 206071-1. INSPECTION REQUIREMENTS PER R4383 WITHOUT TESTS FOR HIGH ALTITUDE DIELECTRIC WITHSTANDING VOLTAGE AS CALLED FOR IN TABLE II SCREENING AND TESTING.  
 6 UL/CSA DESIGNATION MARKED IN THIS AREA, OPTIONAL  
 7 SPECIAL TESTING PER GE DOCUMENT 20025720. CONNECTOR SUPPLIED WITH 54 CONTACTS, MFG'S P/N 206071-1.  
 8 RESTRICTED TO CAE ELECTRONICS ONLY.  
 9 THESE CONNECTORS ARE QUALIFIED TO GODDARD SPACE FLIGHT CENTER SPECIFICATION S-311-P-4.



MFG'S P/N 206071-1  
 GSFC P/N G-08-S1  
 (SUPPLIED WITH 206064-7 AND 206064-8 ONLY)

8	.120 [3.05]	570566-3	1-206064-0	1-206064-0
9	.120 [3.05]	311P407-3S-B-12	206064-4	206064-9
7	.120 [3.05]	20025720P1044S	206064-8	206064-8
5	.120 [3.05]	R4383P44S	206064-7	206064-7
	.120 [3.05]	---	206064-6	206064-6
4	.120 [3.05]	R4383P44S-2	206064-5	206064-5
9	.120 [3.05]	311P407-3S-B-12	206064-4	206064-4
	.154 [3.91]	---	206064-3	206064-3
9	.154 [3.91]	311P407-3S-B-15	206064-2	206064-2
	.120 [3.05]	R9259P44S	206064-1	206064-1
REMARKS	DIA A	CUSTOMER P/N ON CONNECTOR	AMP P/N ON CONNECTOR	MFG'S P/N

THIS DRAWING IS A CONTROLLED DOCUMENT.

DWN: P. YEAGER 05OCT06  
 CHK: D. MILLER 05OCT06  
 APVD: D. MILLER 05OCT06  
 NAME: Tyco Electronics Corporation, Harrisburg, PA 17105-3608

DIMENSIONS: INCHES  
 TOLERANCES UNLESS OTHERWISE SPECIFIED:  
 0 PLC ± -  
 1 PLC ± -  
 2 PLC ± -  
 3 PLC ± .005  
 4 PLC ± -  
 ANGLES ± -  
 FINISH SEE CALLOUTS

PRODUCT SPEC: AMP/PLMITE NONMAGNETIC RCPT ASSY SERIES 90, SHELL SIZE 3, 44 POSN  
 APPLICATION SPEC: ---  
 SIZE: A1  
 CAGE CODE: 00779  
 DRAWING NO: 206064  
 WEIGHT: ---  
 CUSTOMER DRAWING: ---

SCALE: 4:1  
 SHEET: 1 OF 1  
 REV: V