



Chipsmall Limited consists of a professional team with an average of over 10 year of expertise in the distribution of electronic components. Based in Hongkong, we have already established firm and mutual-benefit business relationships with customers from,Europe,America and south Asia,supplying obsolete and hard-to-find components to meet their specific needs.

With the principle of “Quality Parts,Customers Priority,Honest Operation,and Considerate Service”,our business mainly focus on the distribution of electronic components. Line cards we deal with include Microchip,ALPS,ROHM,Xilinx,Pulse,ON,Everlight and Freescale. Main products comprise IC,Modules,Potentiometer,IC Socket,Relay,Connector.Our parts cover such applications as commercial,industrial, and automotives areas.

We are looking forward to setting up business relationship with you and hope to provide you with the best service and solution. Let us make a better world for our industry!



## Contact us

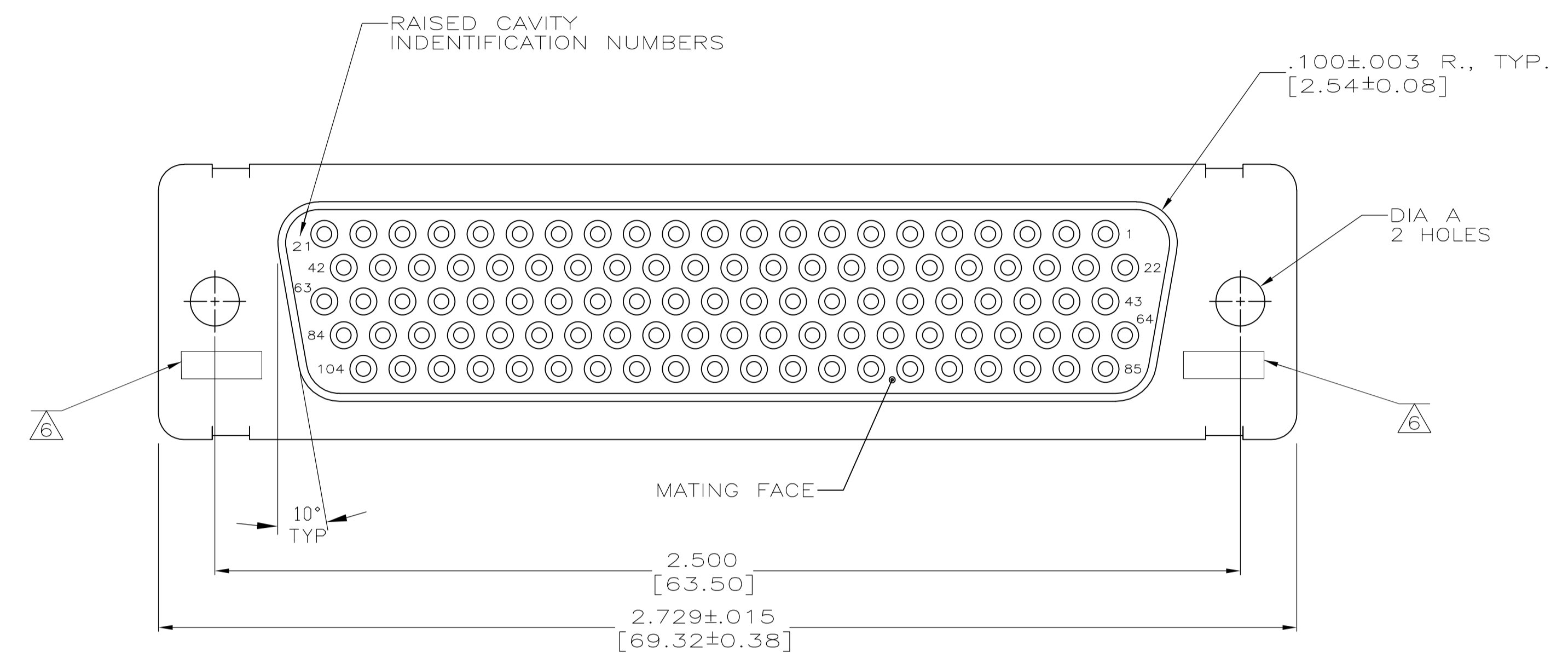
Tel: +86-755-8981 8866 Fax: +86-755-8427 6832

Email & Skype: info@chipsmall.com Web: www.chipsmall.com

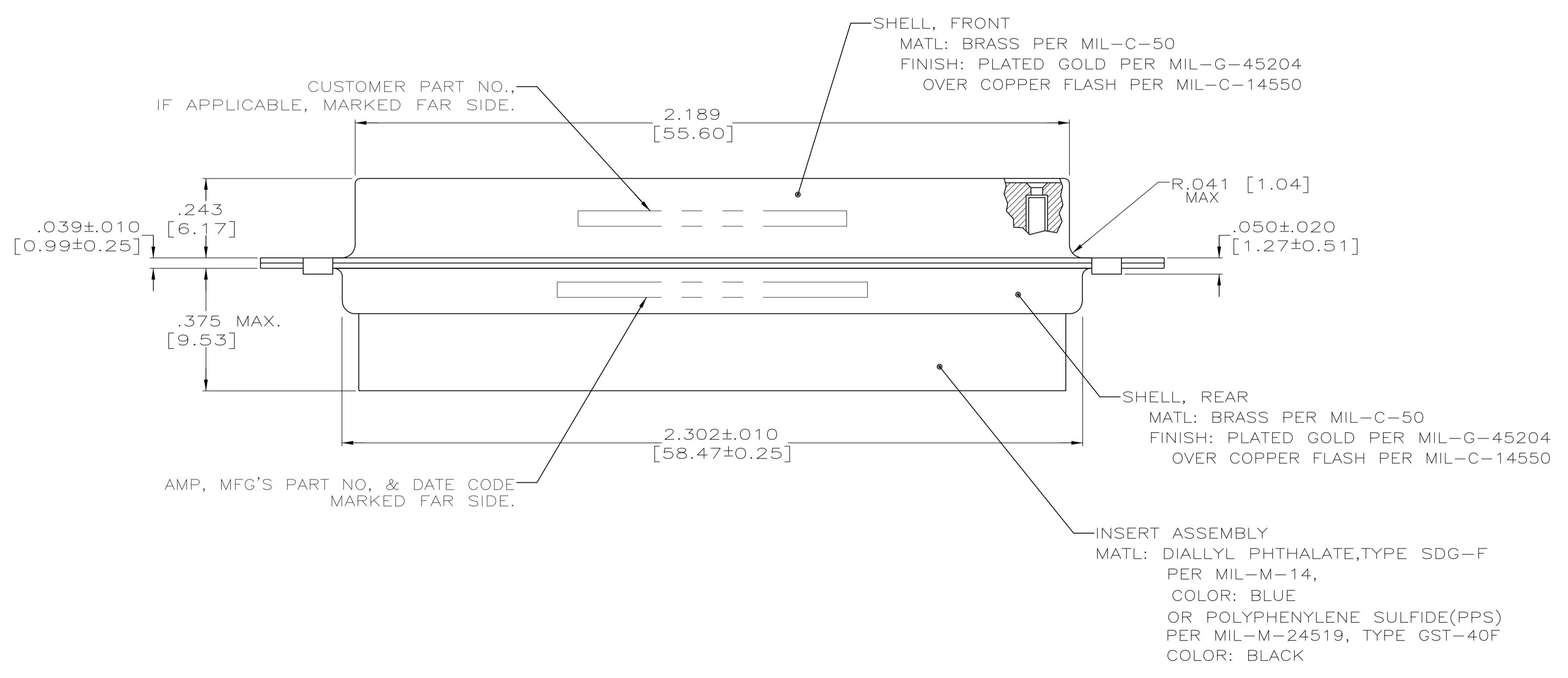
Address: A1208, Overseas Decoration Building, #122 Zhenhua RD., Futian, Shenzhen, China



LOC		DIST		REVISIONS			
REV	DATE	BY	CHK	DESCRIPTION	DATE	OWN	APVD
S	12-8-08	REV PER ECO	08-019991			CT	RL



- THIS RECEPTACLE WILL MATE WITH ANY PLUG CONNECTOR WITH THE SAME INSERT ARRANGEMENT AS DEFINED BY MS14004-1.
  - MAXIMUM WIRE INSULATION USED WITH THIS RCPT. IS .054 [1.37] DIA.
  - Be-Cu RETENTION CLIPS ARE INCLUDED IN INSERTS.
- △ INSPECTION REQUIREMENTS PER R4383.
- △ CONNECTOR SUPPLIED WITH 115 CONTACTS, AMP PART NUMBER 206071-1. INSPECTION REQUIREMENTS PER R4383 WITHOUT TESTS FOR HIGH ALTITUDE DIELECTRIC WITHSTANDING VOLTAGE AS CALLED FOR IN TABLE II SCREENING AND TESTING.
- △ UL/CSA DESIGNATION STAMPED IN THIS AREA, OPTIONAL
- △ SPECIAL TESTING PER GE DOCUMENT 20025720. CONNECTOR SUPPLIED WITH 114 CONTACTS, AMP P/N 206071-1.
- △ RESTRICTED TO CAE ELECTRONICS ONLY.
- △ THESE CONNECTORS ARE QUALIFIED TO GODDARD SPACE FLIGHT CENTER SPECIFICATION S-311-P-4.



△	.120 [3.05]	570566-6	206065-9	206065-9
△	.120 [3.05]	311P407-6S-B-12	206065-4	206065-8
△	.120 [3.05]	20025720P1104S	206065-7	206065-7
△	.120 [3.05]	R4383P104S	206065-6	206065-6
△	.120 [3.05]	R4383P104S-2	206065-5	206065-5
△	.120 [3.05]	311P407-6S-B-12	206065-4	206065-4
△	.154 [3.91]	---	206065-3	206065-3
△	.154 [3.91]	311P407-6S-B-15	206065-2	206065-2
△	.120 [3.05]	R9259P104S	206065-1	206065-1
REMARKS	DIA A	CUSTOMER P/N ON CONNECTOR	AMP P/N ON CONNECTOR	PART NO.

THIS DRAWING IS A CONTROLLED DOCUMENT.

DN: S. GLATFELTER 11-10-88  
 DK: E. A. McDUGGLE 11-10-88  
 APVD: E. McDUGGLE 11-10-88

Tyco Electronics Corporation  
 Harrisburg, PA 17105-3608

AMP/PLMITE NONMAGNETIC RECEPTACLE ASSEMBLY, SERIES 90, SHELL SIZE 6, 104 POSITION

SIZE: A1 CAGE CODE: 00779 DRAWING NO: 206065

SCALE: 4:1 SHEET: 1 OF 1 REV: S