



Chipsmall Limited consists of a professional team with an average of over 10 year of expertise in the distribution of electronic components. Based in Hongkong, we have already established firm and mutual-benefit business relationships with customers from,Europe,America and south Asia,supplying obsolete and hard-to-find components to meet their specific needs.

With the principle of “Quality Parts,Customers Priority,Honest Operation,and Considerate Service”,our business mainly focus on the distribution of electronic components. Line cards we deal with include Microchip,ALPS,ROHM,Xilinx,Pulse,ON,Everlight and Freescale. Main products comprise IC,Modules,Potentiometer,IC Socket,Relay,Connector.Our parts cover such applications as commercial,industrial, and automotives areas.

We are looking forward to setting up business relationship with you and hope to provide you with the best service and solution. Let us make a better world for our industry!



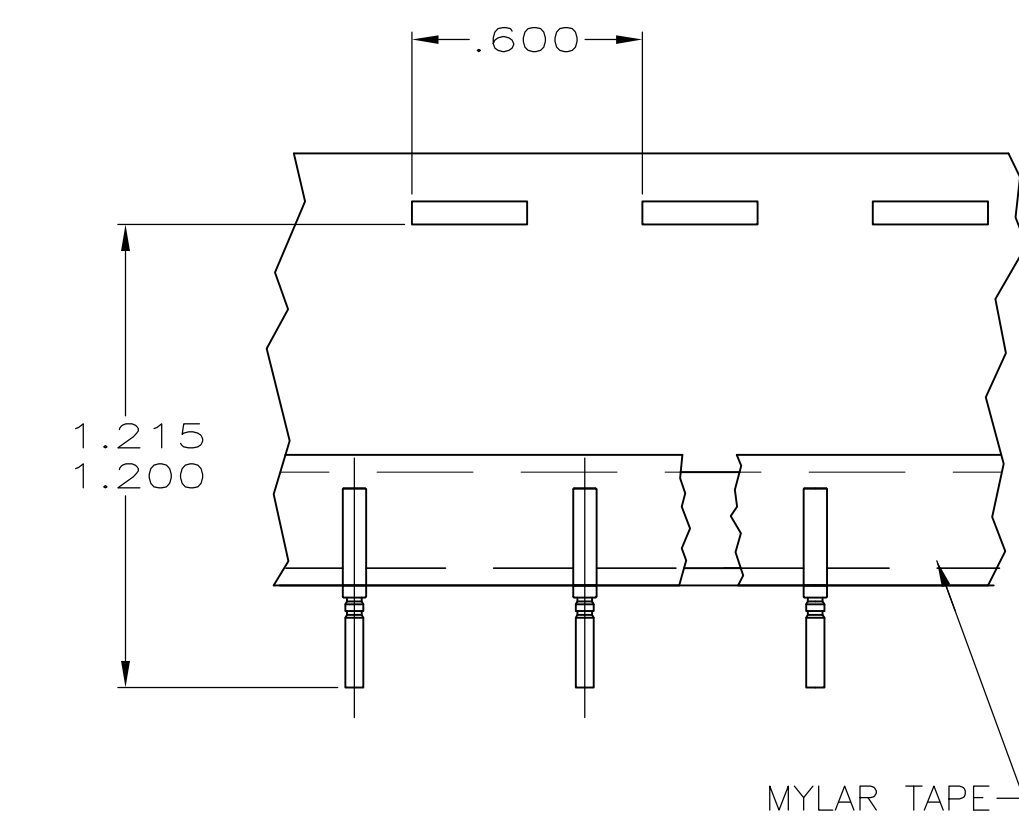
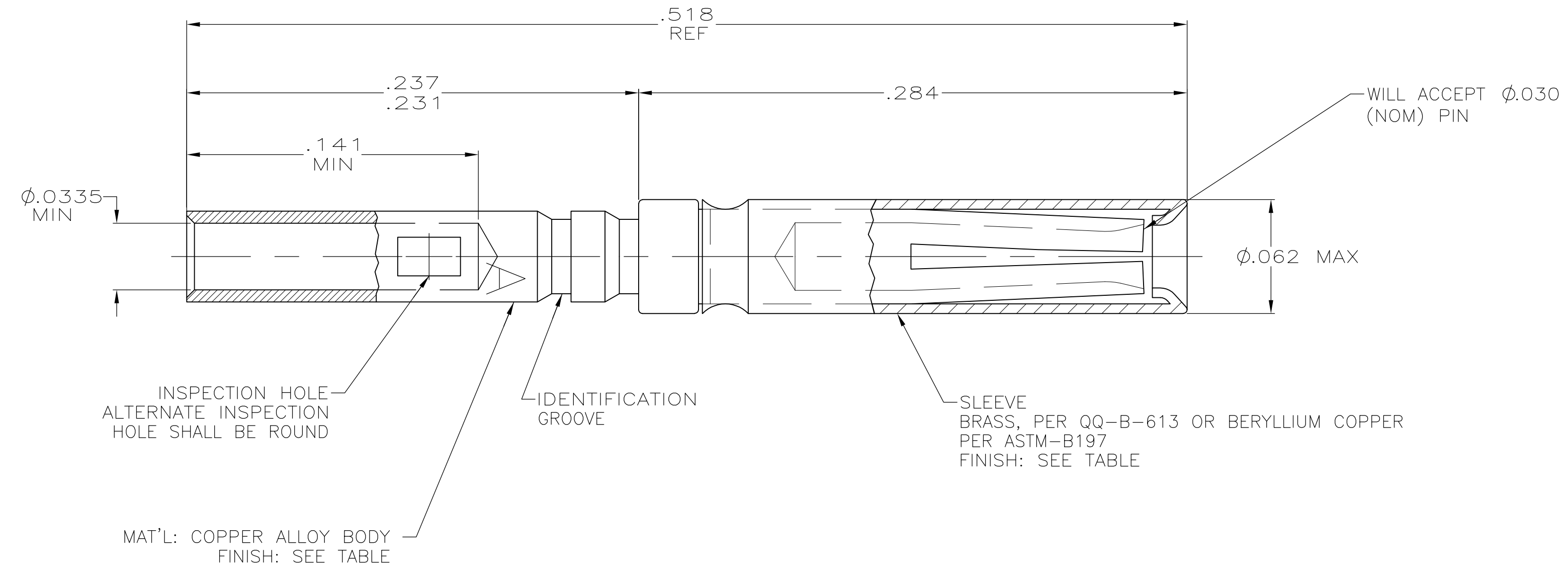
## Contact us

Tel: +86-755-8981 8866 Fax: +86-755-8427 6832

Email & Skype: info@chipsmall.com Web: www.chipsmall.com

Address: A1208, Overseas Decoration Building, #122 Zhenhua RD., Futian, Shenzhen, China





TAPE MOUNTED  
-2 ONLY

1. WIRE BARREL WILL ACCEPT #22-28 AWG WIRE.
2. CRIMPING TOOL - USE HAND TOOL M22520/2-01 (AMP P/N 601966-1) WITH POSITIONER M22520/2-06 (AMP P/N 601966-4). SEE AMP INSTRUCTION SHEET, IS7516, FOR CRIMPING INSTRUCTIONS.
3. CONTACT QUALIFIED TO NASA P/N G-08-S1.
4. INSERTION/EXTRACTION TOOL AMP P/N 91067-1.
5. USE AMP - TAPOMATIC STRIPPER/CRIMPER MACHINE NUMBER 599406-7 WITH FUNNEL NUMBER 125905-2.
6. SLEEVE MAY BE CRIMPED OR DIMPLED TO BODY.
7. PLATING: GOLD PER ASTM-B-488 (TYPEII) OVER NICKEL PER QQ-N-290.
8. PLATING: GOLD PER ASTM-B-488 (TYPEII) OVER COPPER PER MIL-C-14550, CLASS 4.

2	AS SHOWN	3	206071-4
5	CONTACT ON TAPE	SAME AS -1	206071-2
2	AS SHOWN	8	206071-1
REMARKS	DESCRIPTION	FINISH	PART NO.

THIS DRAWING IS A CONTROLLED DOCUMENT.		DIN T. THOMPSON 06-03-94	
DIMENSIONS: INCHES		CHK F. KINSEY 06-03-94	
TOLERANCES UNLESS OTHERWISE SPECIFIED:		APVD F. KINSEY 06-03-94	
0. PLC	± .005	NAME	
1. PLC	± .005	CONTACT ASSEMBLY, SOCKET, SIZE 22D	
2. PLC	± .005	APPLICATION SPEC	
3. PLC	± .005	SIZE	
4. PLC	± .005	CAGE CODE	
ANGLES	± .005	DRAWING NO	
MATERIAL SEE CALLOUT	FINISH SEE TABLE	WEIGHT 102 GRAMS	RESTRICTED TO
		SIZE A1	00779
		C=206071	SCALE 20:1
		CUSTOMER DRAWING	SHEET 1 OF 1
			REV H1