



Chipsmall Limited consists of a professional team with an average of over 10 year of expertise in the distribution of electronic components. Based in Hongkong, we have already established firm and mutual-benefit business relationships with customers from,Europe,America and south Asia,supplying obsolete and hard-to-find components to meet their specific needs.

With the principle of “Quality Parts,Customers Priority,Honest Operation,and Considerate Service”,our business mainly focus on the distribution of electronic components. Line cards we deal with include Microchip,ALPS,ROHM,Xilinx,Pulse,ON,Everlight and Freescale. Main products comprise IC,Modules,Potentiometer,IC Socket,Relay,Connector.Our parts cover such applications as commercial,industrial, and automotives areas.

We are looking forward to setting up business relationship with you and hope to provide you with the best service and solution. Let us make a better world for our industry!



Contact us

Tel: +86-755-8981 8866 Fax: +86-755-8427 6832

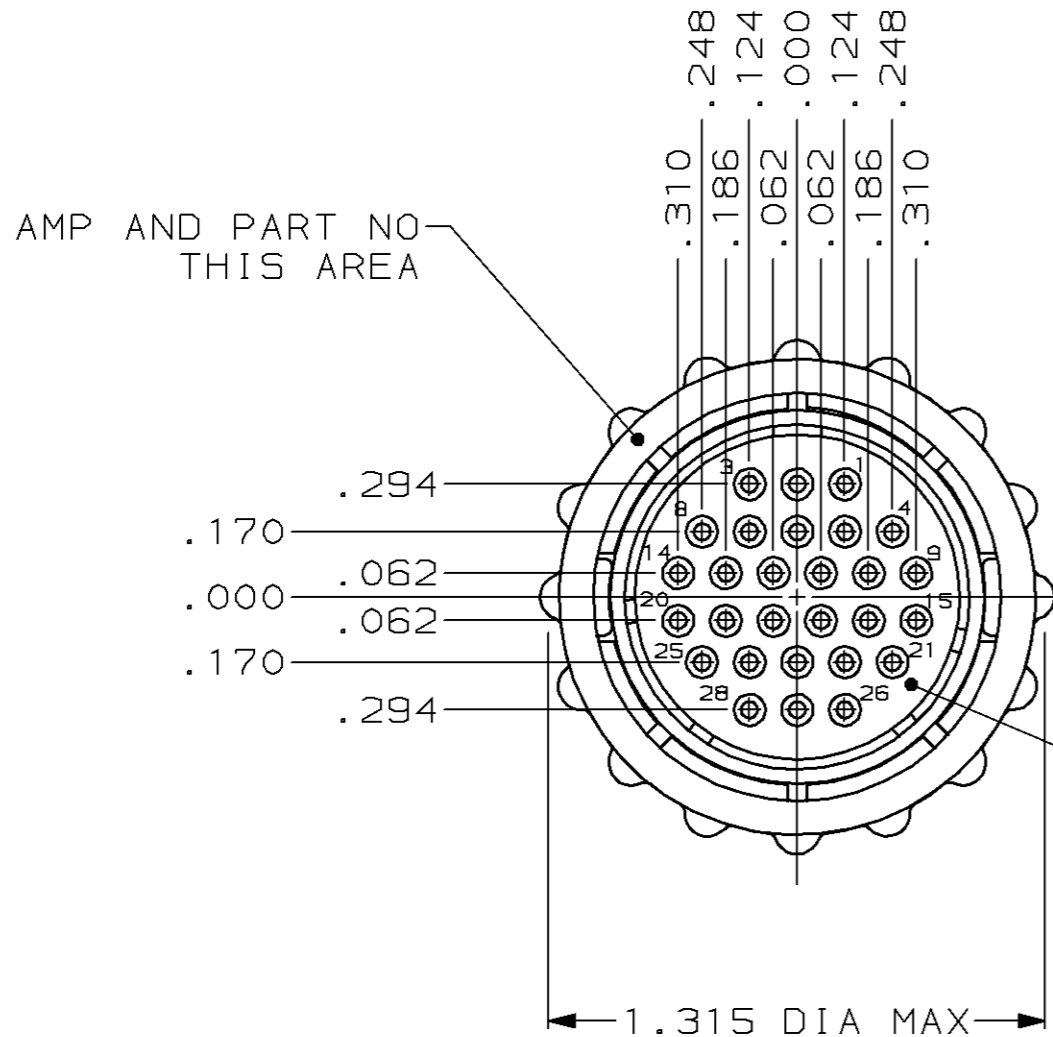
Email & Skype: info@chipsmall.com Web: www.chipsmall.com

Address: A1208, Overseas Decoration Building, #122 Zhenhua RD., Futian, Shenzhen, China



THIS DRAWING IS UNPUBLISHED. RELEASED FOR PUBLICATION, 19 .
 © COPYRIGHT 19 BY AMP INCORPORATED. ALL INTERNATIONAL RIGHTS RESERVED.

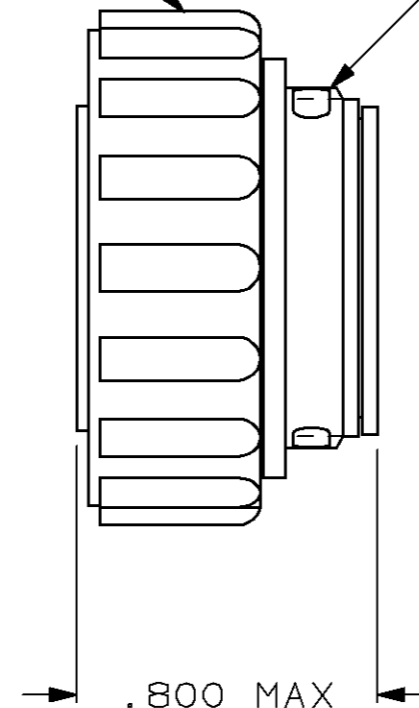
LOC	DIST	P	F	REVISIONS				
				ZONE	LTR	DESCRIPTION	DATE	APPD
FT	4				E	REDRAWN	4/1/91	-
					F	REV PER EC 0020-1217-95	01 NOV 95	GS
					G	REV PER EC 0320-244-97	06 OCT 97	KD



POLYESTER, BLACK

GLASS FILLED NYLON, 6/6, BLACK

MATING FACE



206125-1
 PART NUMBER

- CONTACT CAVITIES IDENTIFIED BY CHARACTERS ON FRONT AND REAR FACES OF CONNECTOR.
- WILL ACCEPT (28) SIZE 20 SOCKET CONTACTS.

DO NOT SCALE PRINT, UNLESS SPECIFIED DIMENSIONS IN INCHES TOLERANCES ON: 2 PLC DEC ± - 3 PLC DEC ± .005 ANGLES ± -	DR 4/1/91 A. STAUB BG	AMP Incorporated Harrisburg, PA 17105-3608		
	CHK 7-23-92 W.G. LENKER			
	MATERIAL SEE CALLOUTS	APPD 7-23-92 K. BEAVER	NAME PLUG ASSEMBLY, FEED-THRU, SERIES 2, 17-28, CPC	
	FINISH -	APPD 7-23-92 C. ROHDE	SIZE B	CAGE CODE 00779
	PRODUCT SPEC 108-10024	SCALE 2:1	SHEET 1 OF 1	
	APPLICATION SPEC -			
	WEIGHT -			