



Chipsmall Limited consists of a professional team with an average of over 10 year of expertise in the distribution of electronic components. Based in Hongkong, we have already established firm and mutual-benefit business relationships with customers from,Europe,America and south Asia,supplying obsolete and hard-to-find components to meet their specific needs.

With the principle of “Quality Parts,Customers Priority,Honest Operation,and Considerate Service”,our business mainly focus on the distribution of electronic components. Line cards we deal with include Microchip,ALPS,ROHM,Xilinx,Pulse,ON,Everlight and Freescale. Main products comprise IC,Modules,Potentiometer,IC Socket,Relay,Connector.Our parts cover such applications as commercial,industrial, and automotives areas.

We are looking forward to setting up business relationship with you and hope to provide you with the best service and solution. Let us make a better world for our industry!



Contact us

Tel: +86-755-8981 8866 Fax: +86-755-8427 6832

Email & Skype: info@chipsmall.com Web: www.chipsmall.com

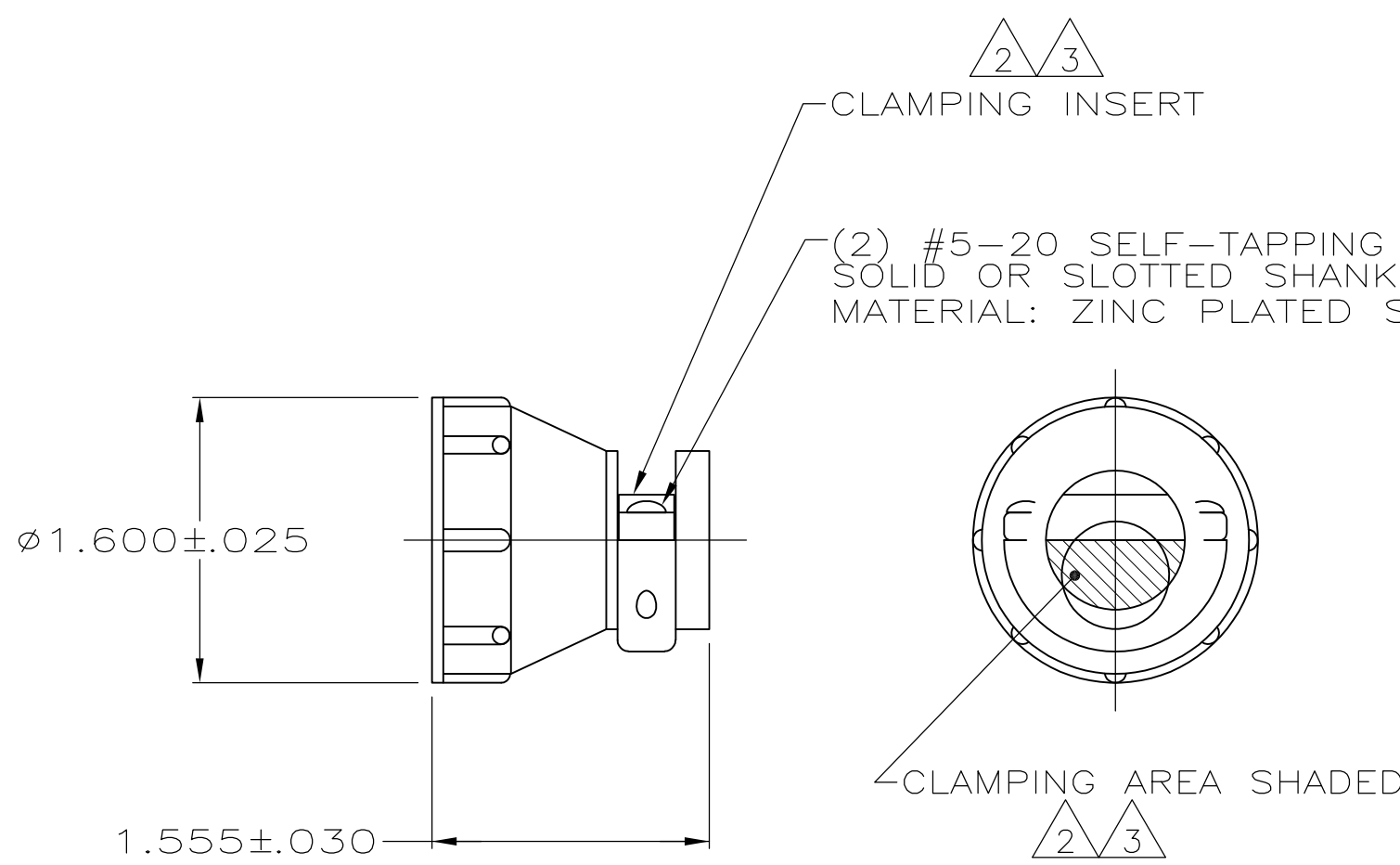
Address: A1208, Overseas Decoration Building, #122 Zhenhua RD., Futian, Shenzhen, China



THIS DRAWING IS UNPUBLISHED. RELEASED FOR PUBLICATION
 © COPYRIGHT - By - ALL RIGHTS RESERVED.

LOC	DIST	REVISIONS			
P	LTR	DESCRIPTION	DATE	DWN	APVD
FT	0	S4	REVISED PER ECO-11-004587	11MAR11	RK HMR

- 1 PARTS PACKAGED UNASSEMBLED.
- △2 CABLE CLAMPING AREA ADJUSTABLE FROM .100 TO .410 SQ IN BY REVERSING CLAMPING INSERTS. (2 INSERTS SUPPLIED)
- △3 CABLE CLAMPING AREA ADJUSTABLE FROM .100 TO .410 SQ IN BY CHANGING CLAMPING INSERTS. (4 INSERTS SUPPLIED, -3 ONLY)
- 4 .703 MAXIMUM CABLE OUTSIDE DIAMETER.
- △5 BULK PACKAGED KITS TO BE ORDERED IN MULTIPLES OF 100 ONLY.
- △6 SCREW FINISH ZINC WITH NON-HEXAVALENT CHROMATE.
- △7 OBSOLETE PARTS: OBSOLETE CIS STREAMLINING PER D.RENAUD/D.SINISI



△	SCREW LENGTH	PACKAGING	PART NUMBER
△2	.75 ^{+0.00} / _{-.05}	INDIVIDUAL	1-206138-2
△2	.75 ^{+0.00} / _{-.05} / .62 ^{+0.00} / _{-.05}	INDIVIDUAL	1-206138-1
△2	.62 ^{+0.00} / _{-.05}	△5 BULK	1-206138-0
△2 △7	OBSOLETE .62 ^{+0.00} / _{-.05}	SMALL PACK	206138-9
△2	.62 ^{+0.00} / _{-.05}	INDIVIDUAL	206138-8
△2 △7	SUPERSEDED BY 1-206138-1 .75 ^{+0.00} / _{-.05} / .62 ^{+0.00} / _{-.05}	INDIVIDUAL	206138-7
△7	OBSOLETE .62 ^{+0.00} / _{-.05}	SMALL PACK	206138-6
	OBSOLETE	△5 BULK	206138-3
△2	SUPERSEDED BY 1-206138-0 .62 ^{+0.00} / _{-.05}	△5 BULK	206138-2
△2	SUPERSEDED BY 206138-8 .62 ^{+0.00} / _{-.05}	INDIVIDUAL	206138-1

THIS DRAWING IS A CONTROLLED DOCUMENT.		DWN A GRAFF 4/23/91	TE Connectivity	
DIMENSIONS: INCHES		CHK W.G.LENKER 7-22-92		
TOLERANCES UNLESS OTHERWISE SPECIFIED:		APVD -	NAME CABLE CLAMP KIT, STANDARD, SHELL SIZE 23, CPC	
0 PLC ± - 1 PLC ± - 2 PLC ± - 3 PLC ± - 4 PLC ± - ANGLES ± -		PRODUCT SPEC 108-10024	RESTRICTED TO -	
MATERIAL THERMOPLASTIC		FINISH -	APPLICATION SPEC -	SIZE A3
		WEIGHT -	CAGE CODE 00779	DRAWING NO C-206138
		CUSTOMER DRAWING	SCALE NTS	SHEET 1 OF 1
			REV S4	