



Chipsmall Limited consists of a professional team with an average of over 10 year of expertise in the distribution of electronic components. Based in Hongkong, we have already established firm and mutual-benefit business relationships with customers from,Europe,America and south Asia,supplying obsolete and hard-to-find components to meet their specific needs.

With the principle of “Quality Parts,Customers Priority,Honest Operation,and Considerate Service”,our business mainly focus on the distribution of electronic components. Line cards we deal with include Microchip,ALPS,ROHM,Xilinx,Pulse,ON,Everlight and Freescale. Main products comprise IC,Modules,Potentiometer,IC Socket,Relay,Connector.Our parts cover such applications as commercial,industrial, and automotives areas.

We are looking forward to setting up business relationship with you and hope to provide you with the best service and solution. Let us make a better world for our industry!



Contact us

Tel: +86-755-8981 8866 Fax: +86-755-8427 6832

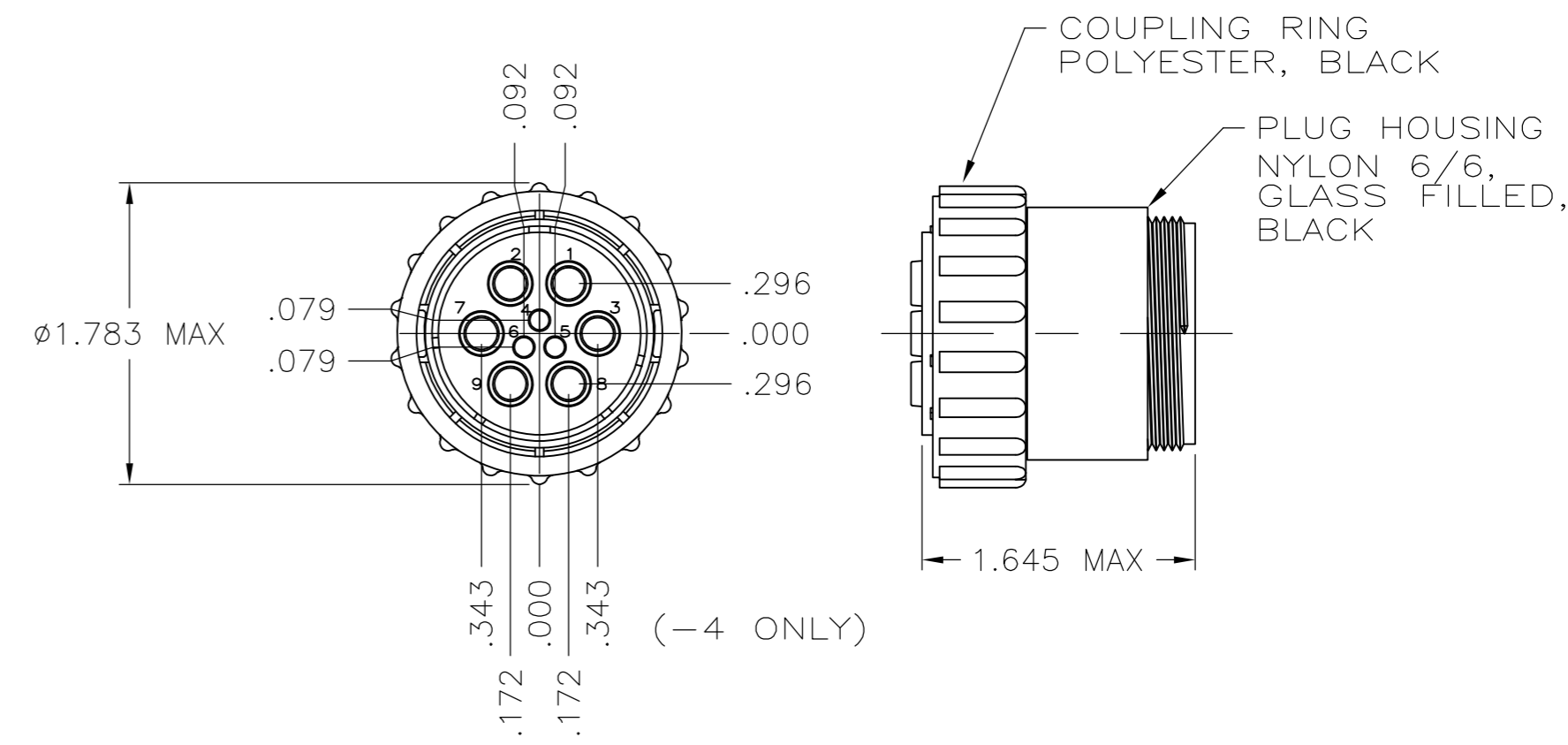
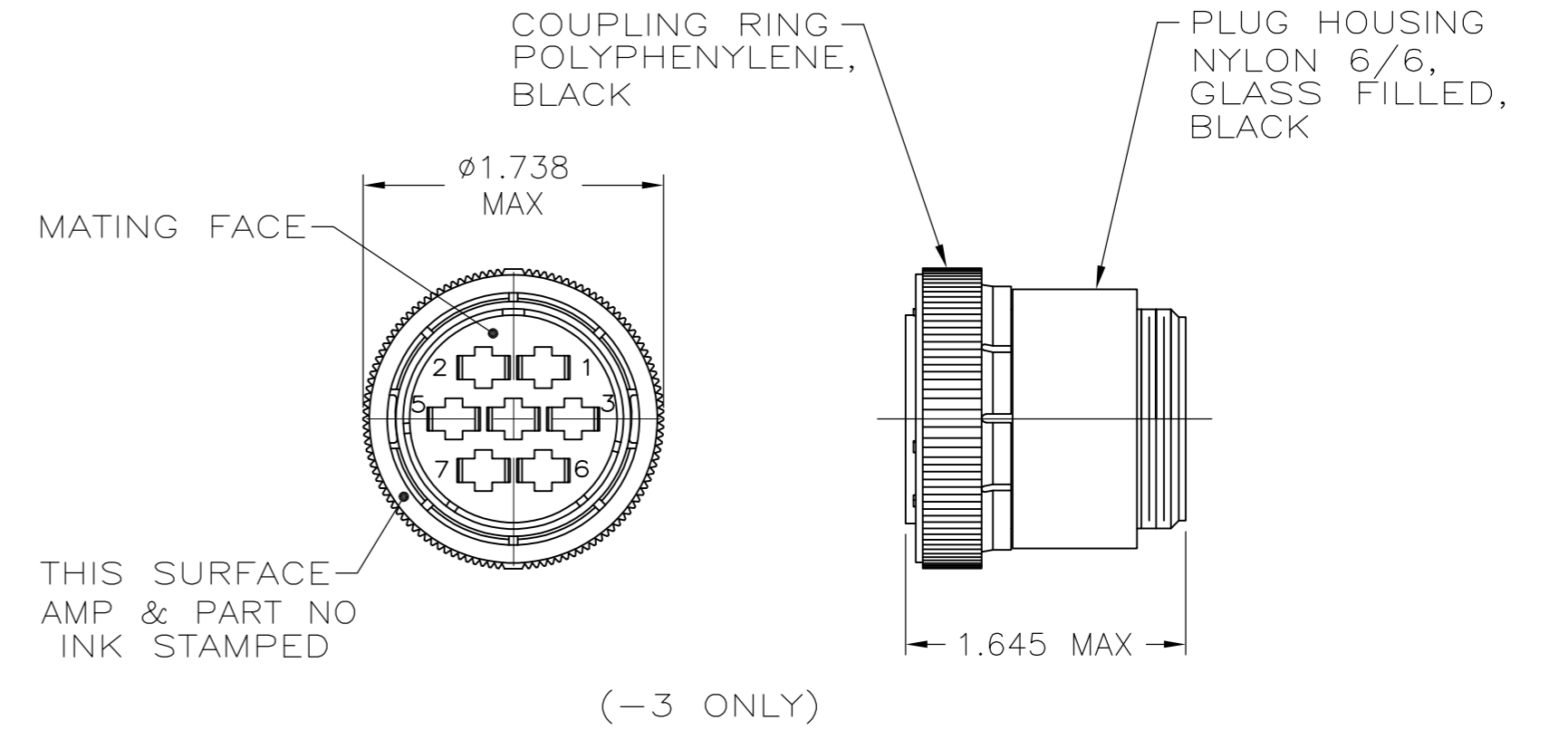
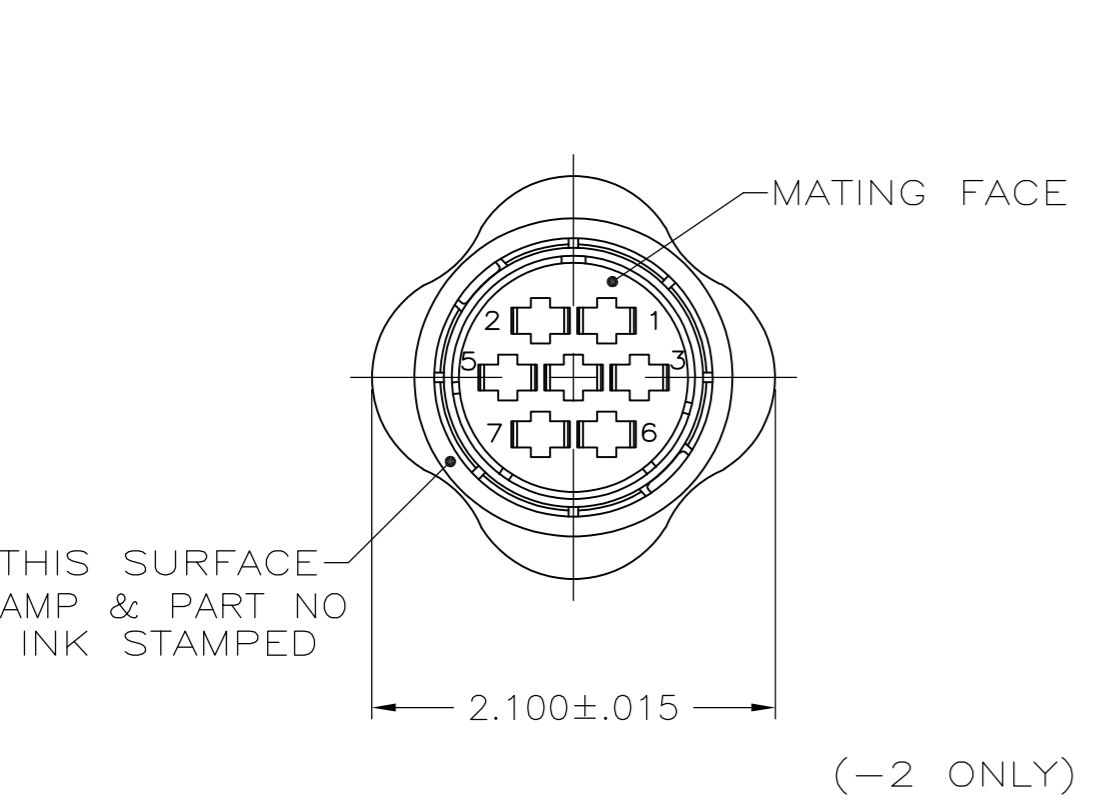
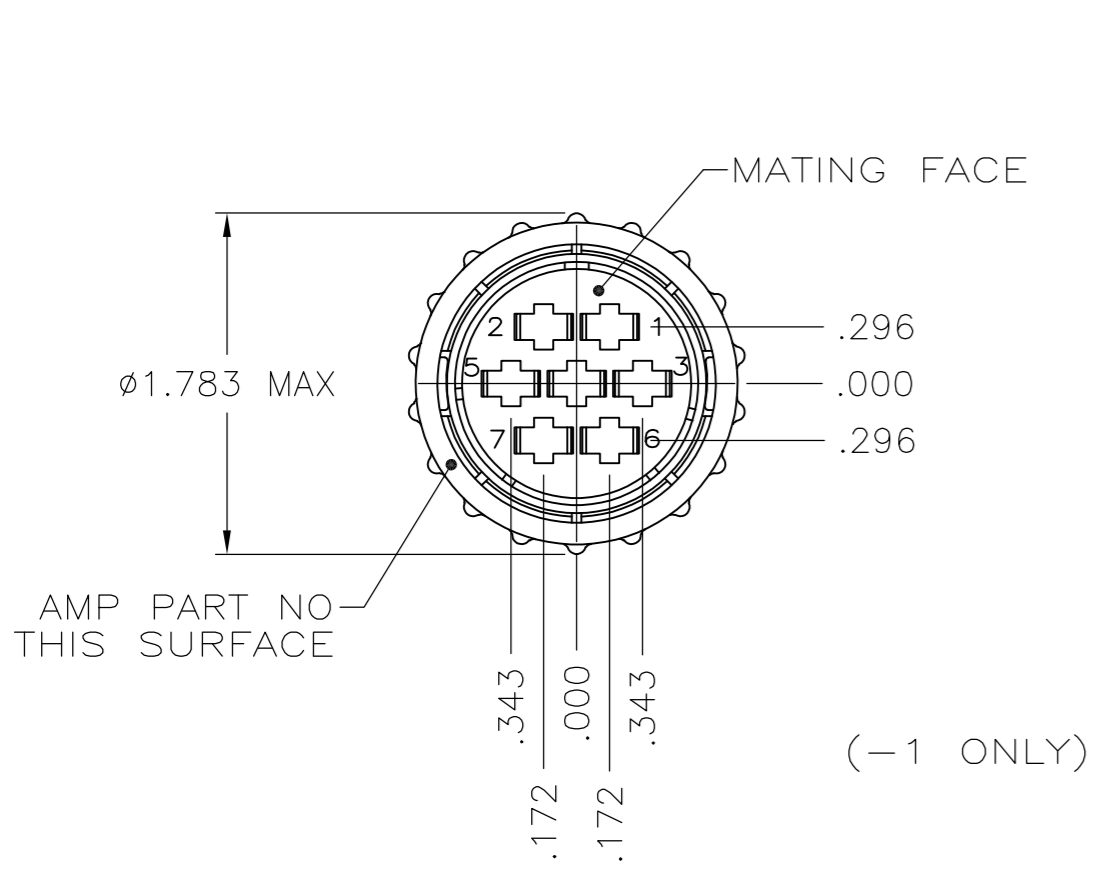
Email & Skype: info@chipsmall.com Web: www.chipsmall.com

Address: A1208, Overseas Decoration Building, #122 Zhenhua RD., Futian, Shenzhen, China



THIS DRAWING IS UNPUBLISHED. RELEASED FOR PUBLICATION
 © COPYRIGHT - By - ALL RIGHTS RESERVED.

LOC		DIST		REVISIONS			
P	LTR	DESCRIPTION	DATE	DWN	APVD		
	J1	REVISED PER ECO-11-004820	11MAR11	RK	HMR		



PRELIMINARY	206136-4
	206136-3
OBSOLETE	206136-2
	206136-1
PART NUMBER	

- NOTES:
- CONTACT CAVITIES IDENTIFIED BY CHARACTERS ON FRONT AND REAR FACE OF CONNECTOR.
 - 1, -2 AND -3 CONNECTORS WILL ACCEPT SEVEN (7) TYPE XII SOCKET CONTACTS.
 - 4 CONNECTOR WILL ACCEPT SIX (6) POWER BAND SOCKET CONTACTS AND THREE (3) TYPE III+ SIGNAL SOCKET CONTACTS.

THIS DRAWING IS A CONTROLLED DOCUMENT.		DWN	S.RIDGLEY BG	7/30/90	TE Connectivity
DIMENSIONS: INCHES		CHK	R.STONE	04/26/91	
TOLERANCES UNLESS OTHERWISE SPECIFIED:		APVD	-	-	PLUG ASSEMBLY, SHELL SIZE 23, STANDARD SEX, CPC
0 PLC ± -		PRODUCT SPEC	108-10024	-	
1 PLC ± -		APPLICATION SPEC	-	-	SIZE CAGE CODE DRAWING NO RESTRICTED TO
2 PLC ± .02		WEIGHT	-	-	
3 PLC ± .010		MATERIAL	SEE CALLOUT	-	A2 00779 C=206136
4 PLC ± -		FINISH	-	-	SCALE NTS SHEET 1 of 1 REV J1
ANGLES ± -		CUSTOMER DRAWING			