



Chipsmall Limited consists of a professional team with an average of over 10 year of expertise in the distribution of electronic components. Based in Hongkong, we have already established firm and mutual-benefit business relationships with customers from,Europe,America and south Asia,supplying obsolete and hard-to-find components to meet their specific needs.

With the principle of “Quality Parts,Customers Priority,Honest Operation,and Considerate Service”,our business mainly focus on the distribution of electronic components. Line cards we deal with include Microchip,ALPS,ROHM,Xilinx,Pulse,ON,Everlight and Freescale. Main products comprise IC,Modules,Potentiometer,IC Socket,Relay,Connector.Our parts cover such applications as commercial,industrial, and automotives areas.

We are looking forward to setting up business relationship with you and hope to provide you with the best service and solution. Let us make a better world for our industry!



Contact us

Tel: +86-755-8981 8866 Fax: +86-755-8427 6832

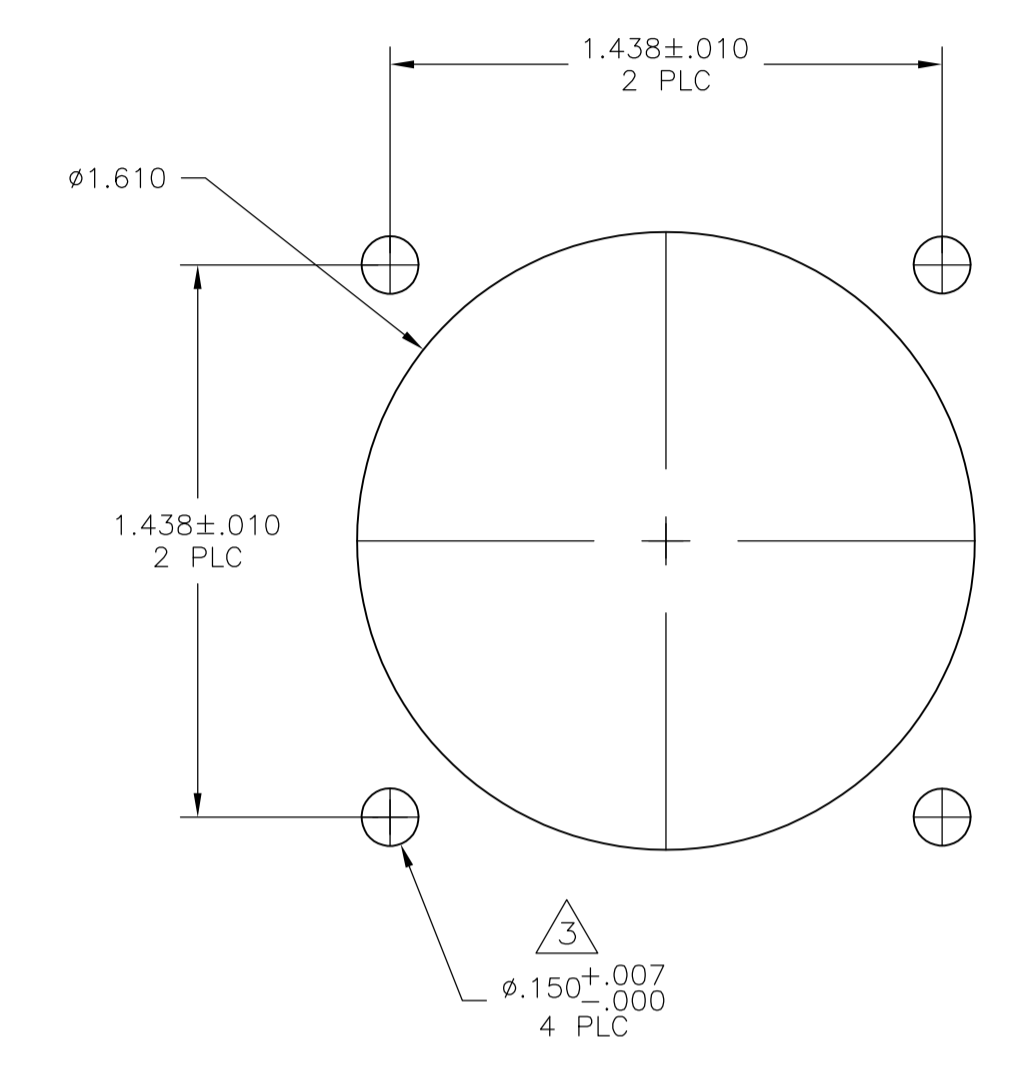
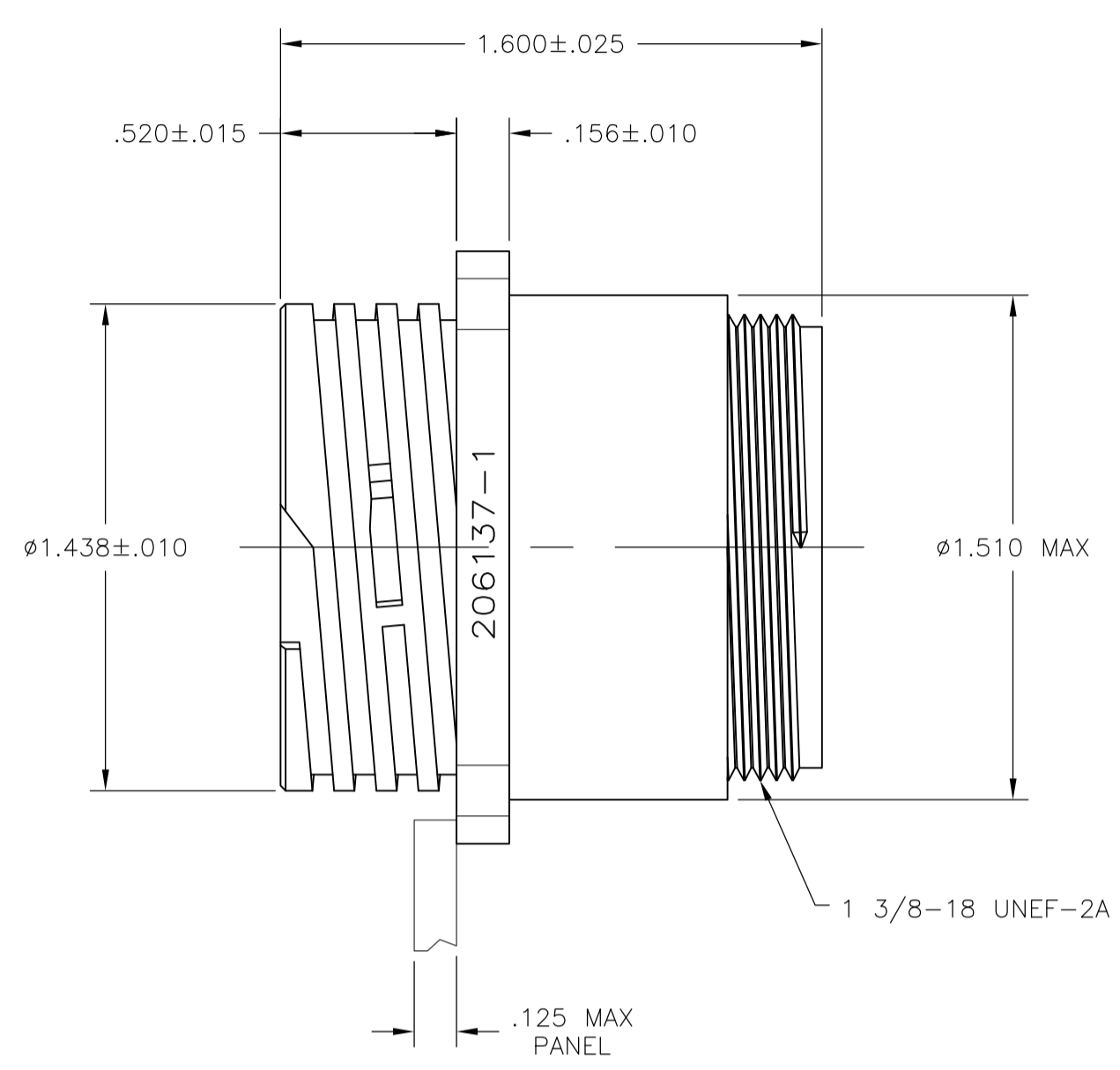
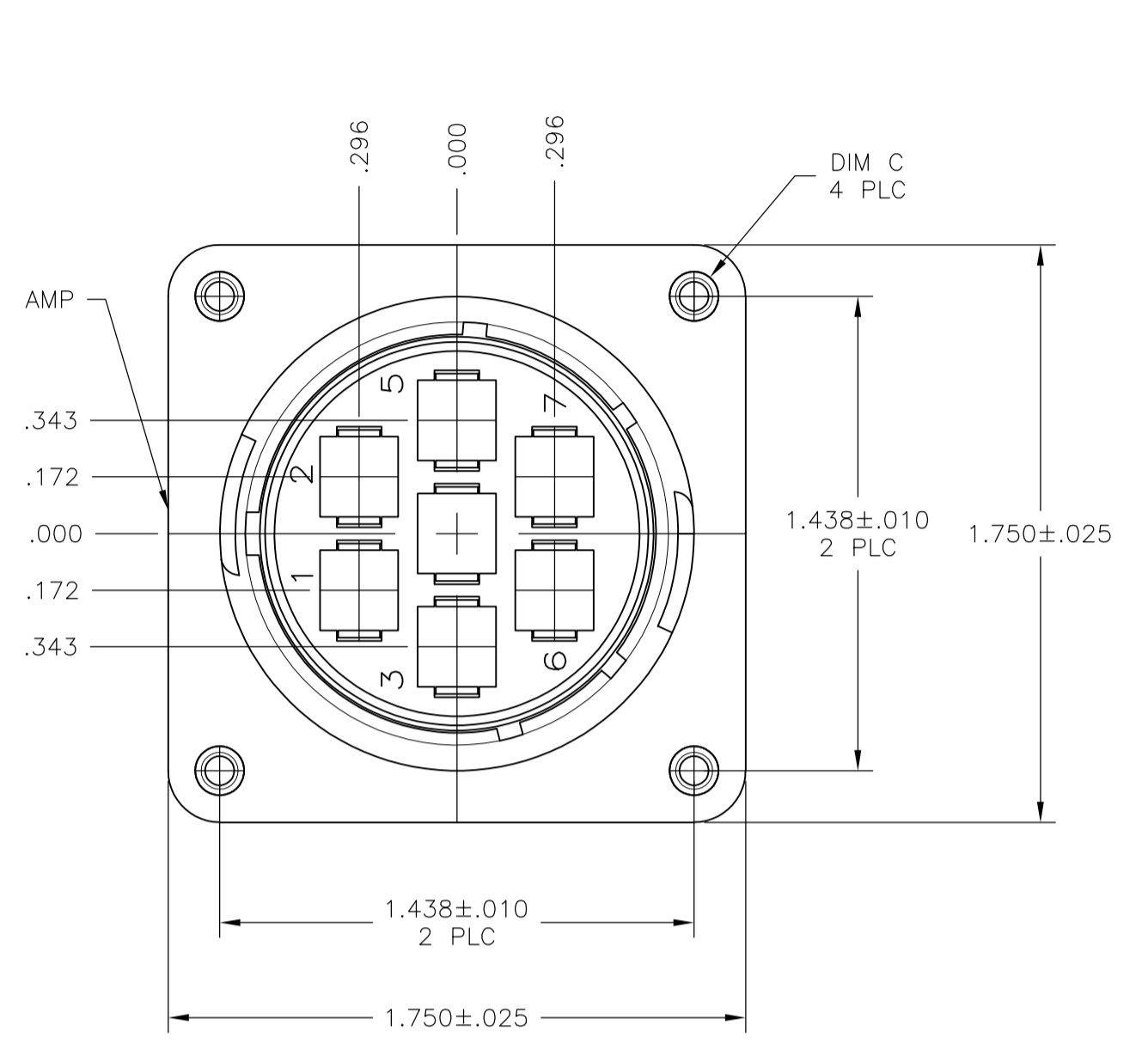
Email & Skype: info@chipsmall.com Web: www.chipsmall.com

Address: A1208, Overseas Decoration Building, #122 Zhenhua RD., Futian, Shenzhen, China



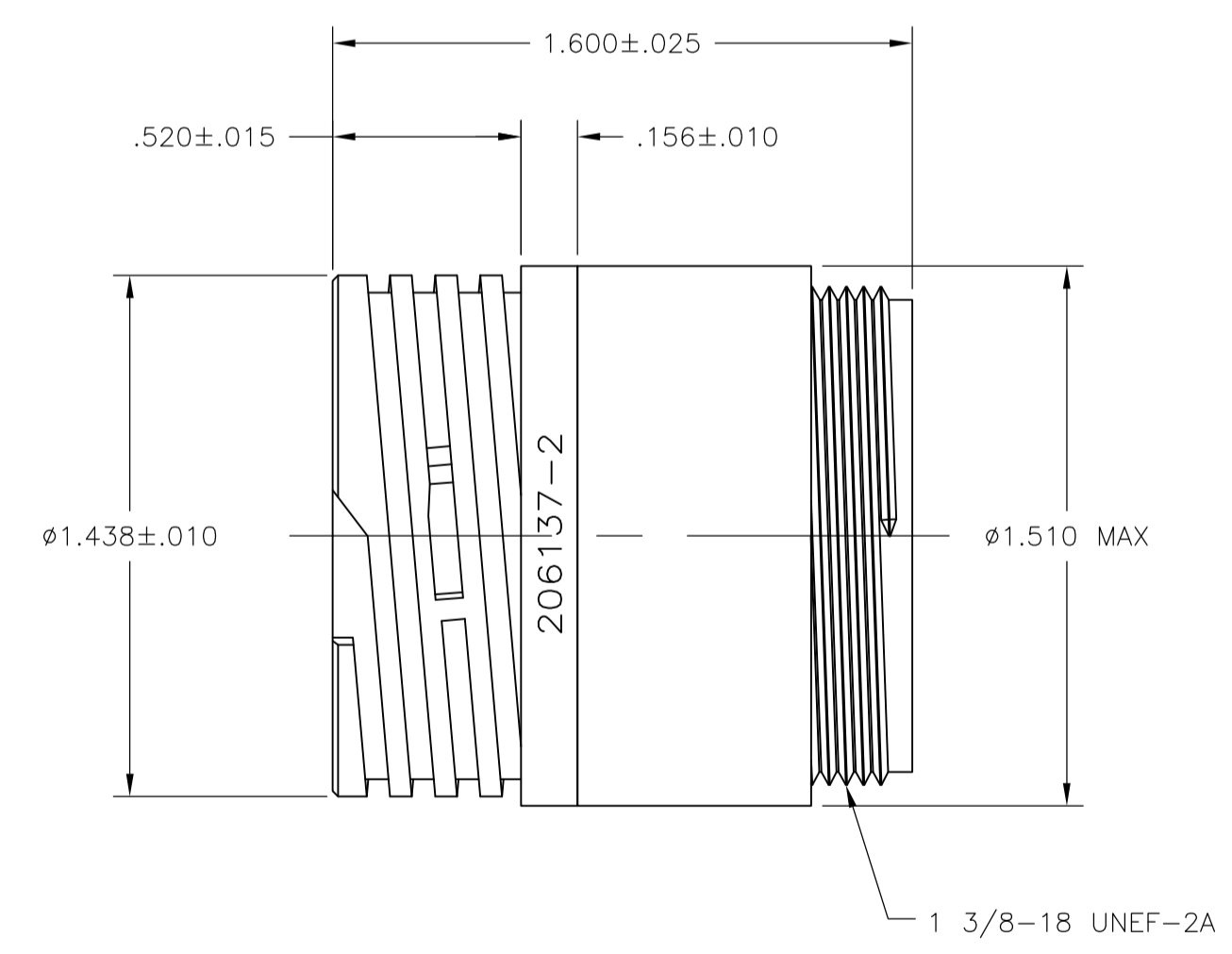
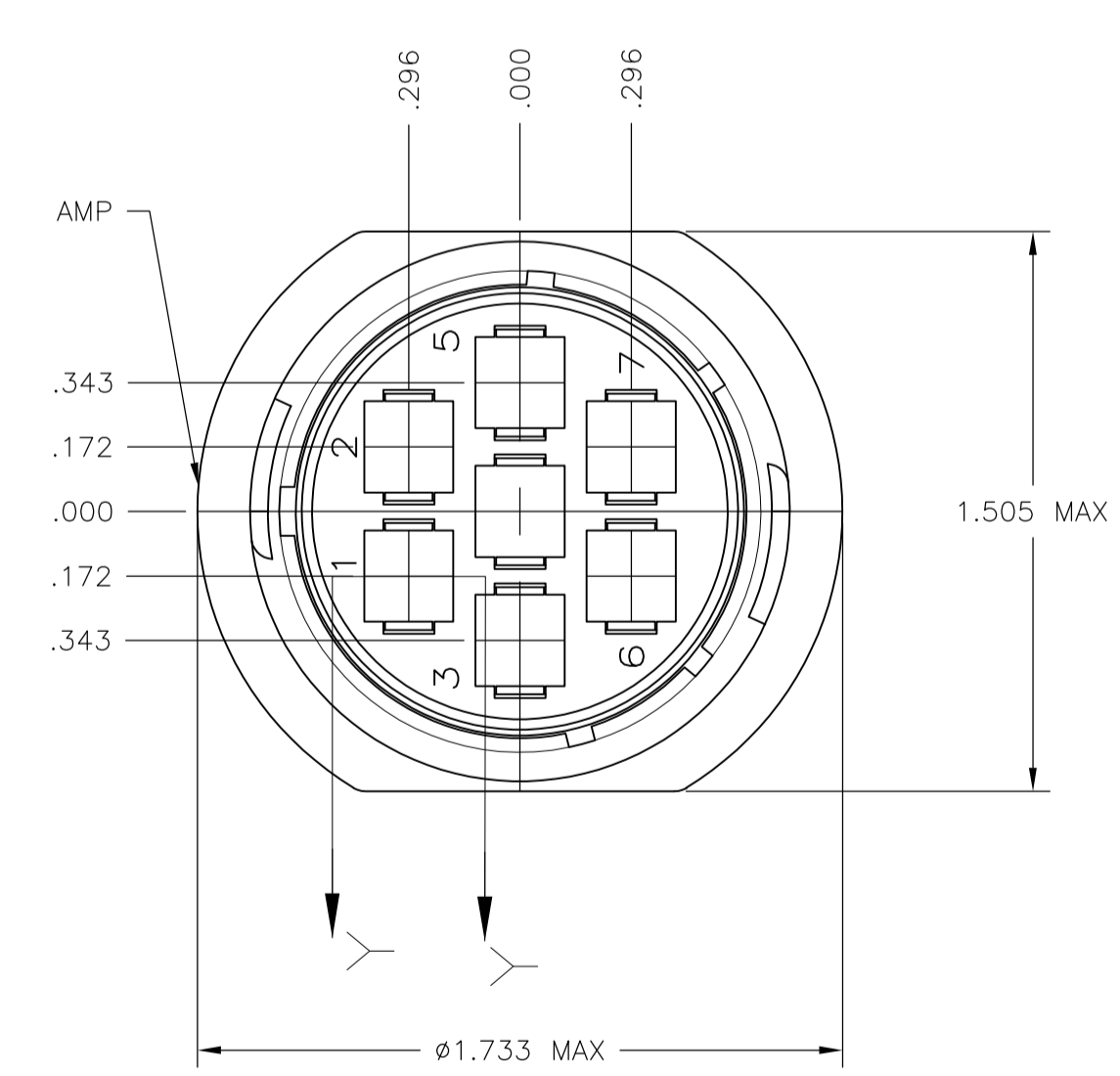
LOC		DIST		REVISIONS			
FT	0	P	LTR	DESCRIPTION	DATE	DWN	APVD
M1				REVISED PER ECO-11-004820	11MAR11	RK	HMR

- NOTES:**
1. CAVITY IDENTIFICATION ON FRONT AND REAR FACE.
 2. WILL ACCEPT SEVEN (7) TYPE XII PIN CONTACTS.
- ⚠ #4 FASTENER RECOMMENDED FOR MOUNTING.



DETAIL A

RECOMMENDED PANEL CUTOUT



DETAIL B

4-40 THREADED INSERTS	A	206137-5
.150±.003	B	206137-2
.150±.003	A	206137-1
DIM C	SEE DETAIL	PART NUMBER

THIS DRAWING IS A CONTROLLED DOCUMENT.

DIMENSIONS: INCHES	TOLERANCES UNLESS OTHERWISE SPECIFIED:	DIN D. HARDY 05/31/94	APVD W.G. LENKER 06/07/94	NAME
0 PLC ± -	1 PLC ± -	RECEPTACLE HOUSING, STANDARD SEX, SHELL SIZE 23, CPC		
2 PLC ± .005	3 PLC ± -	PRODUCT SPEC 108-10024		
4 PLC ± -	ANGLES ± -	APPLICATION SPEC		
MATERIAL NYLON, BLACK	FINISH -	SIZE A1	CAGE CODE 00779	DRAWING NO. C=206137
CUSTOMER DRAWING		SCALE 2:1	SHEET 1 OF 1	REV M1

STE TE Connectivity