



Chipsmall Limited consists of a professional team with an average of over 10 year of expertise in the distribution of electronic components. Based in Hongkong, we have already established firm and mutual-benefit business relationships with customers from,Europe,America and south Asia,supplying obsolete and hard-to-find components to meet their specific needs.

With the principle of "Quality Parts,Customers Priority,Honest Operation,and Considerate Service",our business mainly focus on the distribution of electronic components. Line cards we deal with include Microchip,ALPS,ROHM,Xilinx,Pulse,ON,Everlight and Freescale. Main products comprise IC,Modules,Potentiometer,IC Socket,Relay,Connector.Our parts cover such applications as commercial,industrial, and automotives areas.

We are looking forward to setting up business relationship with you and hope to provide you with the best service and solution. Let us make a better world for our industry!



Contact us

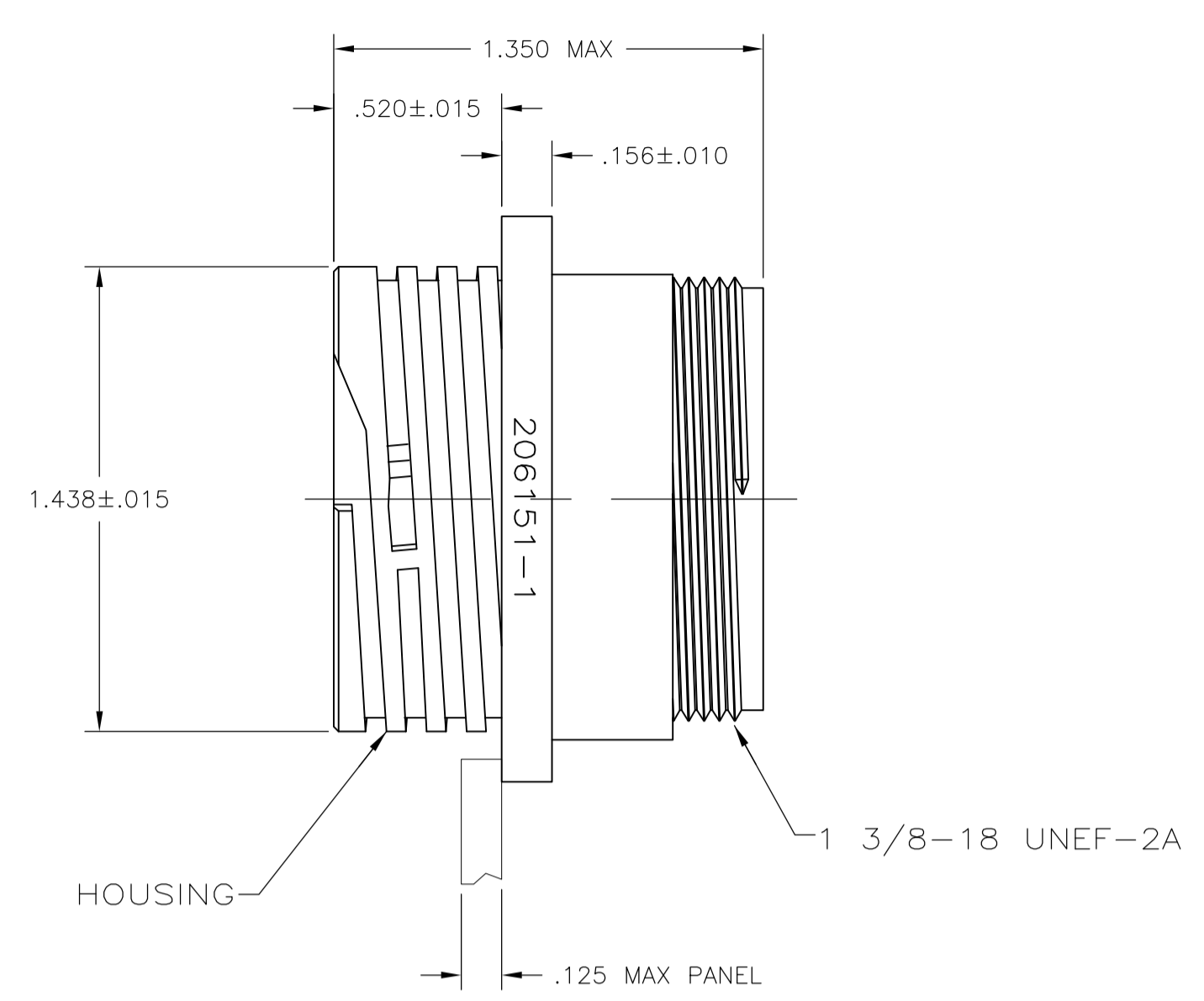
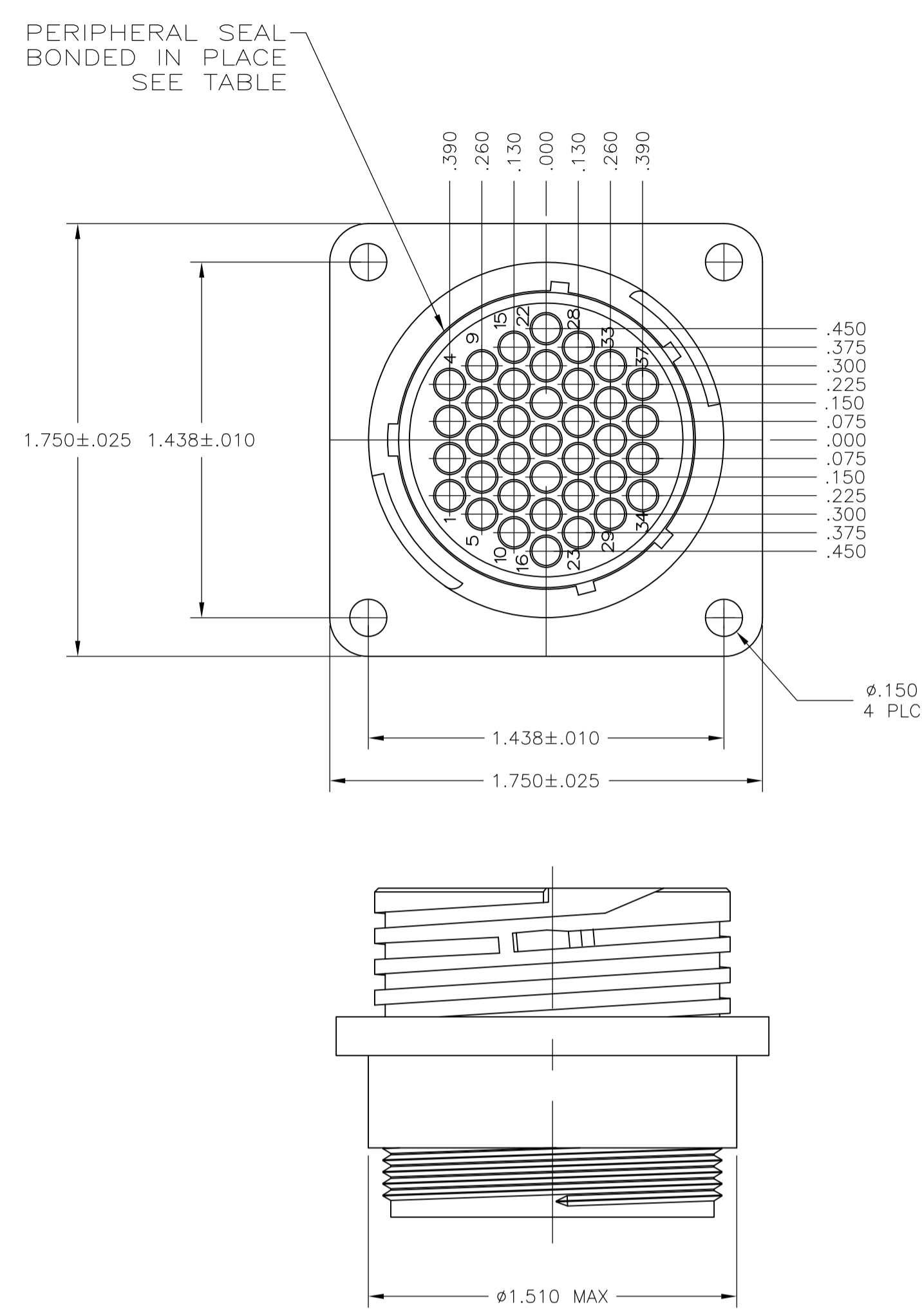
Tel: +86-755-8981 8866 Fax: +86-755-8427 6832

Email & Skype: info@chipsmall.com Web: www.chipsmall.com

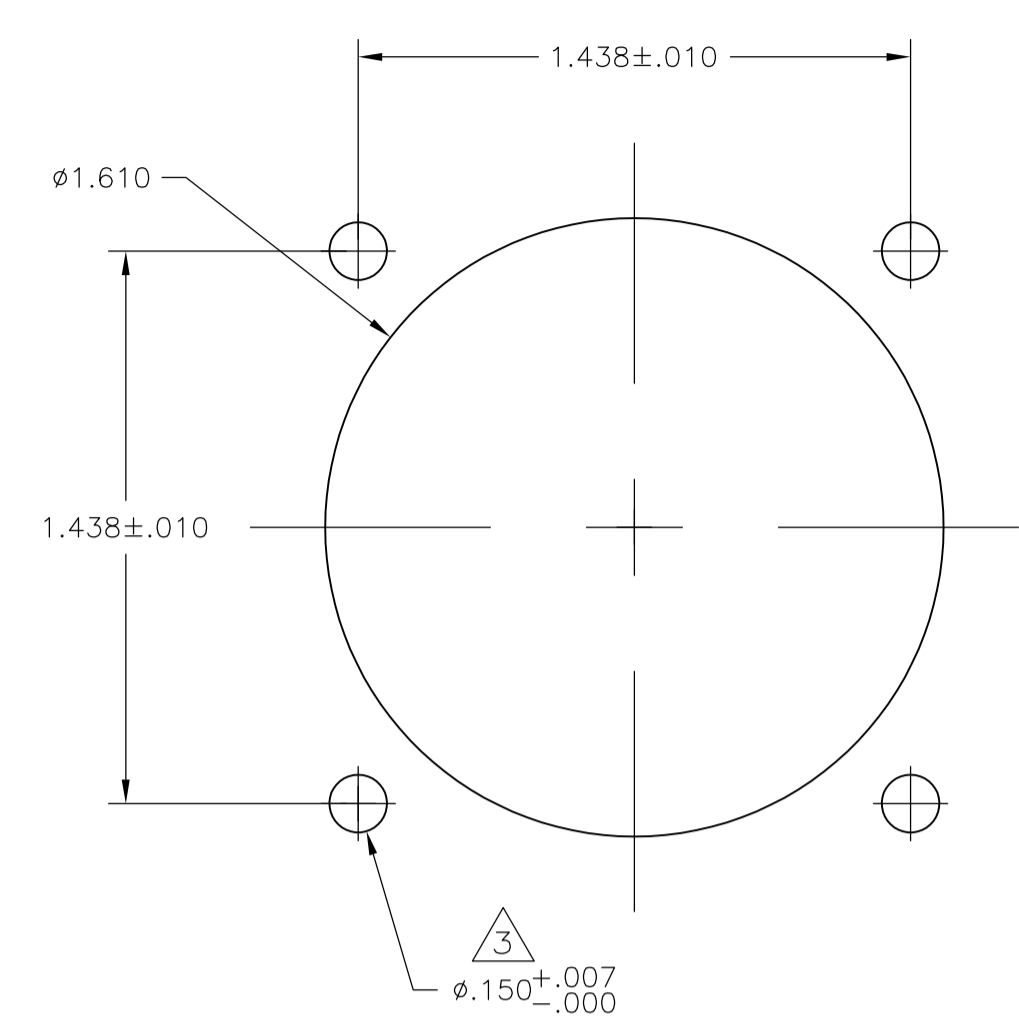
Address: A1208, Overseas Decoration Building, #122 Zhenhua RD., Futian, Shenzhen, China



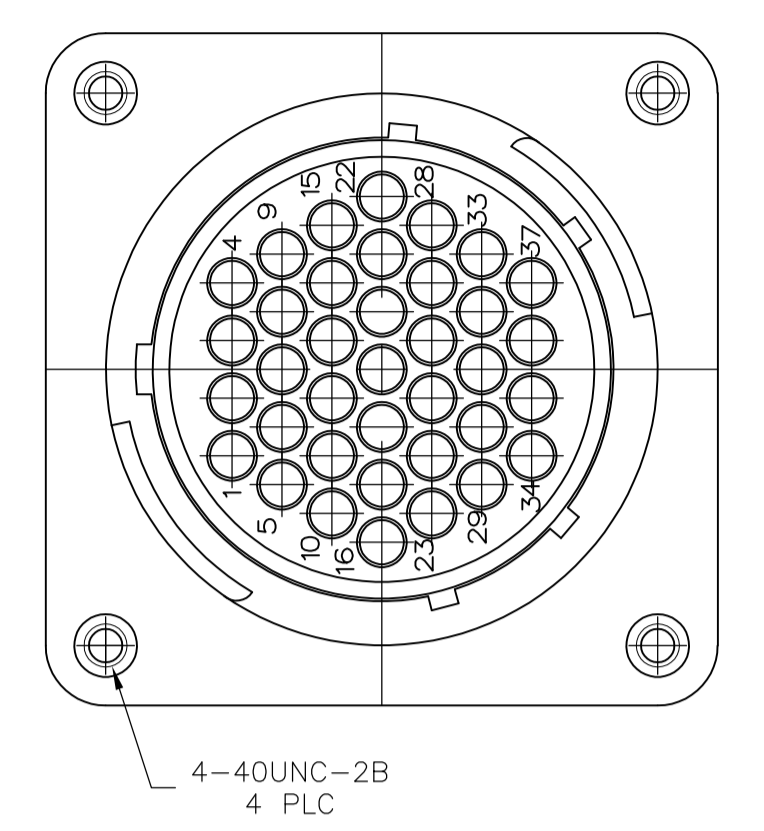
LOC		DIST		REVISIONS			
FT	0	P	LTR	DESCRIPTION	DATE	DWN	APVD
M				REVISED PER ECO-12-015521	28SEP12	KH	MZ



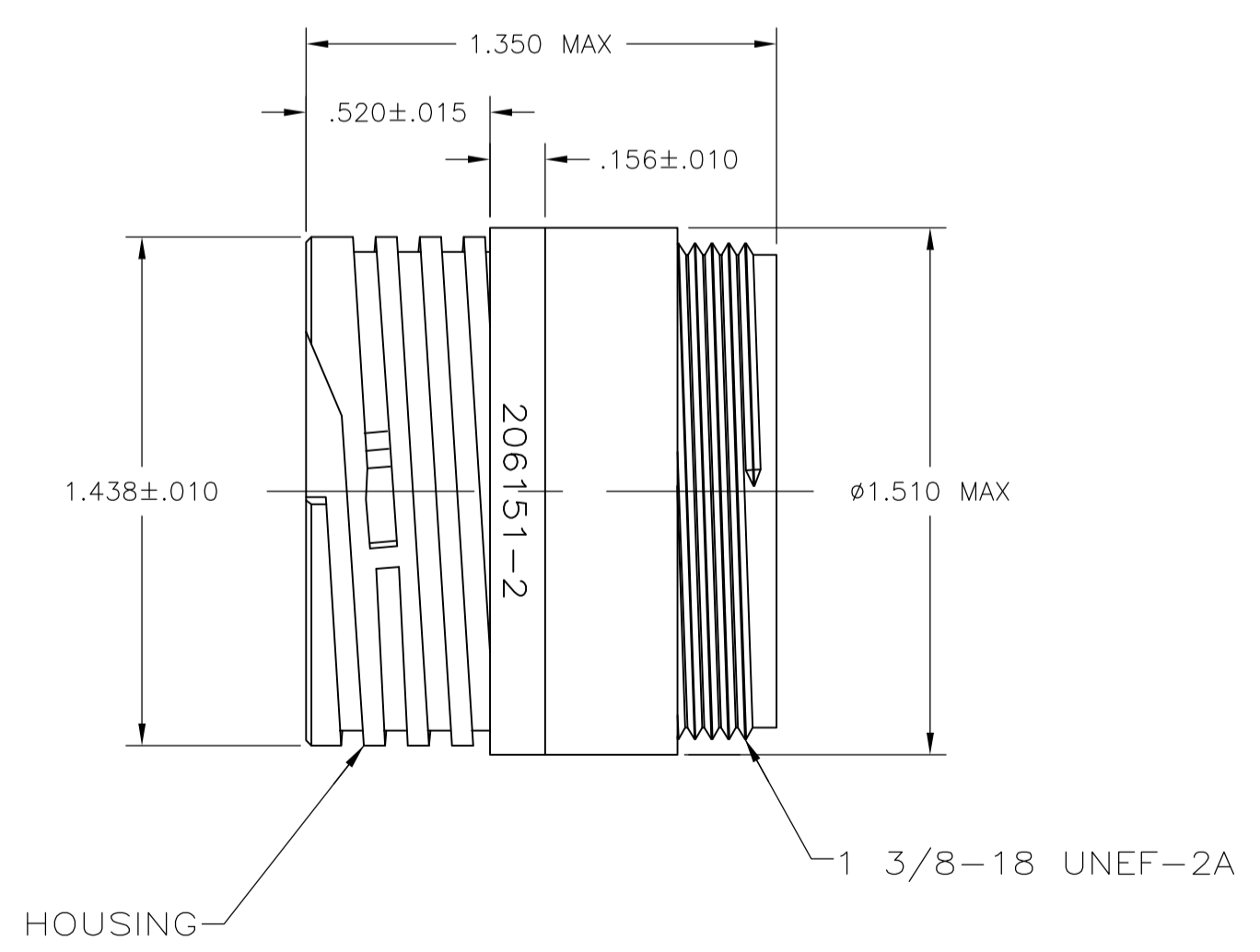
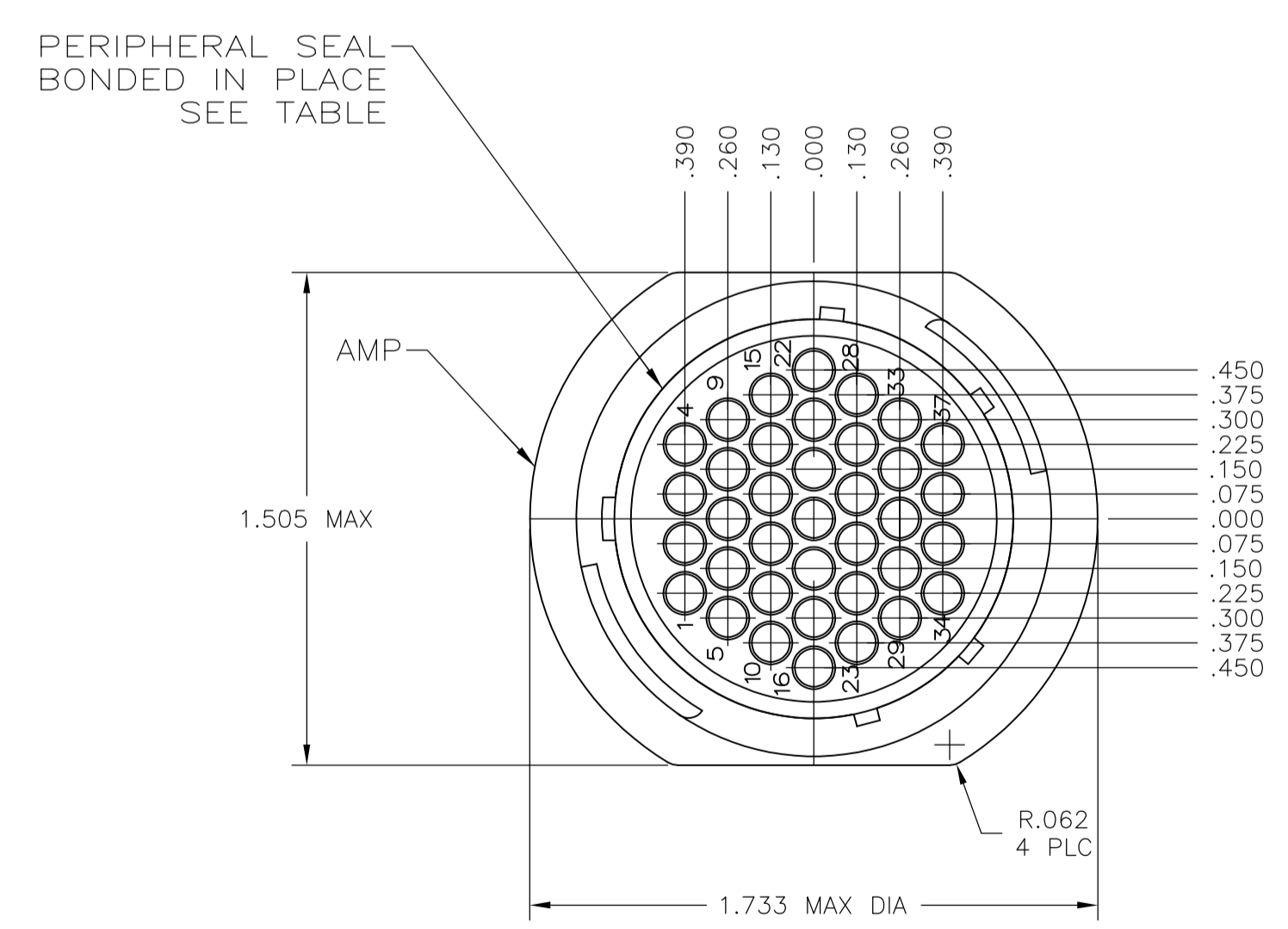
DETAIL A



RECOMMENDED PANEL CUTOUT



DETAIL C
206151-6 ONLY



DETAIL B

- 1 CAVITY IDENTIFICATION ON FRONT AND REAR FACE.
- 2 WILL ACCEPT THIRTY-SEVEN (37) MULTIMATE PIN CONTACTS.
- 3 NO 4 FASTENER RECOMMENDED FOR MOUNTING.
- 4 WHITE DOT NEAR POSITION 1 ON WIRE ENTRY FACE.
- 5 OBSOLETE PARTS: OBSOLETE CIS STREAMLINING PER D.RENAUD/D.SINISI

REV	DESCRIPTION	DATE	DWN	APVD
4	STANDARD	YES	A	206151-8
PRELIMINARY	STANDARD	NO	A & C	206151-6
5	OBSOLETE	NO	A	206151-5
	STANDARD	YES	B	206151-4
	STANDARD	YES	A	206151-3
	STANDARD	NO	B	206151-2
	STANDARD	NO	A	206151-1
	PACKAGING	PERIPHERAL SEAL	SEE DETAIL	PART NUMBER

THIS DRAWING IS A CONTROLLED DOCUMENT.

DIMENSIONS: INCHES

TOLERANCES UNLESS OTHERWISE SPECIFIED:

0 PLC	± .005
1 PLC	± .005
2 PLC	± .005
3 PLC	± .005
4 PLC	± .005
ANGLES	± .005

MATERIAL: HOUSING: NYLON BLACK SEAL: ELASTOMER, GREY

FINISH: -

WEIGHT: -

APPROVED: S. SCHLEGEL, A. FRANTUM, R. STONE

DATE: 8/13/83

NAME: RECEPTACLE HOUSING, STANDARD SEX, SHELL SIZE 23, CPC

SIZE: A1

SCALE: 2:1

SHEET: 1 OF 1

REV: M

CUSTOMER DRAWING