



Chipsmall Limited consists of a professional team with an average of over 10 year of expertise in the distribution of electronic components. Based in Hongkong, we have already established firm and mutual-benefit business relationships with customers from,Europe,America and south Asia,supplying obsolete and hard-to-find components to meet their specific needs.

With the principle of “Quality Parts,Customers Priority,Honest Operation,and Considerate Service”,our business mainly focus on the distribution of electronic components. Line cards we deal with include Microchip,ALPS,ROHM,Xilinx,Pulse,ON,Everlight and Freescale. Main products comprise IC,Modules,Potentiometer,IC Socket,Relay,Connector.Our parts cover such applications as commercial,industrial, and automotives areas.

We are looking forward to setting up business relationship with you and hope to provide you with the best service and solution. Let us make a better world for our industry!



Contact us

Tel: +86-755-8981 8866 Fax: +86-755-8427 6832

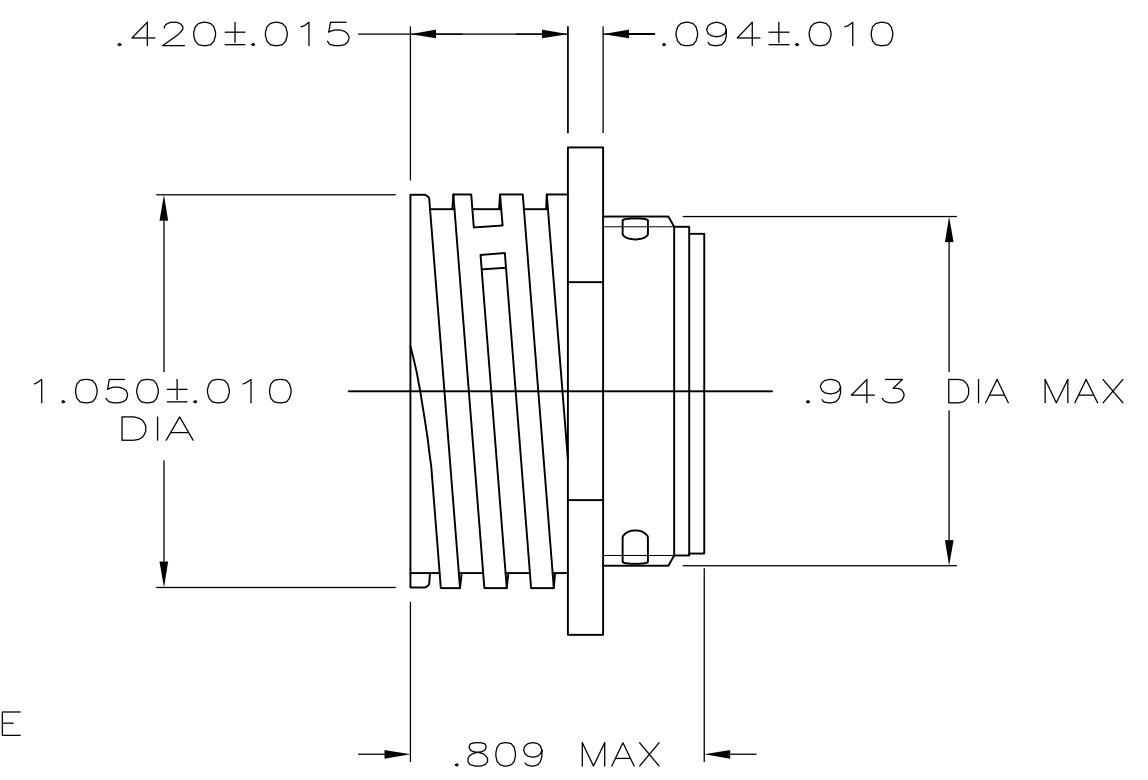
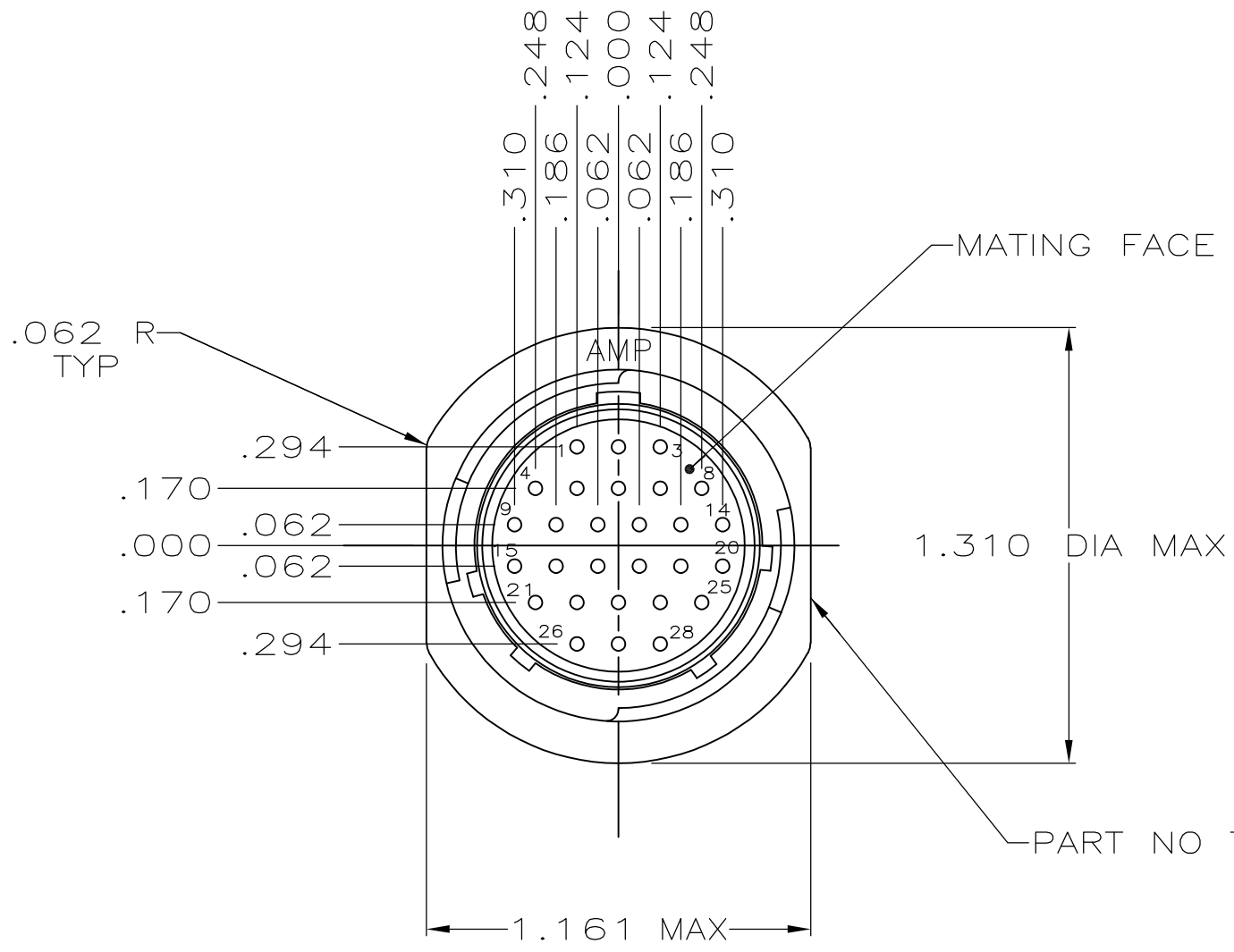
Email & Skype: info@chipsmall.com Web: www.chipsmall.com

Address: A1208, Overseas Decoration Building, #122 Zhenhua RD., Futian, Shenzhen, China



THIS DRAWING IS UNPUBLISHED. RELEASED FOR PUBLICATION
 © COPYRIGHT - By - ALL RIGHTS RESERVED.

MOD 23	LOC BD	DIST 35	REVISIONS			
P	LTR	DESCRIPTION	DATE	DWN	APVD	
	E1	REVISED PER ECO-11-005027	12MAR11	RK	HMR	



206152-1
 PART NUMBER

- CONTACT CAVITIES IDENTIFIED BY CHARACTERS ON FRONT AND REAR FACES OF CONNECTOR.
- WILL ACCEPT (28) SIZE 20 PIN CONTACTS.

THIS DRAWING IS A CONTROLLED DOCUMENT.		DWN A.STAUB BG	4/1/91	TE Connectivity RECEPTACLE ASSEMBLY, STD SEX, SERIES 2, 17-28, CPC	
DIMENSIONS: INCHES		CHK W.G.LENKER	7-24-92		
		APVD K.BEAVER	7-24-92		
TOLERANCES UNLESS OTHERWISE SPECIFIED:		PRODUCT SPEC 108-10024			
MATERIAL THERMOPLASTIC, BLACK		FINISH -		APPLICATION SPEC -	RESTRICTED TO -
		WEIGHT -	SIZE A3	CAGE CODE 00779	DRAWING NO C-206152
CUSTOMER DRAWING			SCALE 2:1	SHEET 1 OF 1	REV E1