



Chipsmall Limited consists of a professional team with an average of over 10 year of expertise in the distribution of electronic components. Based in Hongkong, we have already established firm and mutual-benefit business relationships with customers from,Europe,America and south Asia,supplying obsolete and hard-to-find components to meet their specific needs.

With the principle of “Quality Parts,Customers Priority,Honest Operation,and Considerate Service”,our business mainly focus on the distribution of electronic components. Line cards we deal with include Microchip,ALPS,ROHM,Xilinx,Pulse,ON,Everlight and Freescale. Main products comprise IC,Modules,Potentiometer,IC Socket,Relay,Connector.Our parts cover such applications as commercial,industrial, and automotives areas.

We are looking forward to setting up business relationship with you and hope to provide you with the best service and solution. Let us make a better world for our industry!



Contact us

Tel: +86-755-8981 8866 Fax: +86-755-8427 6832

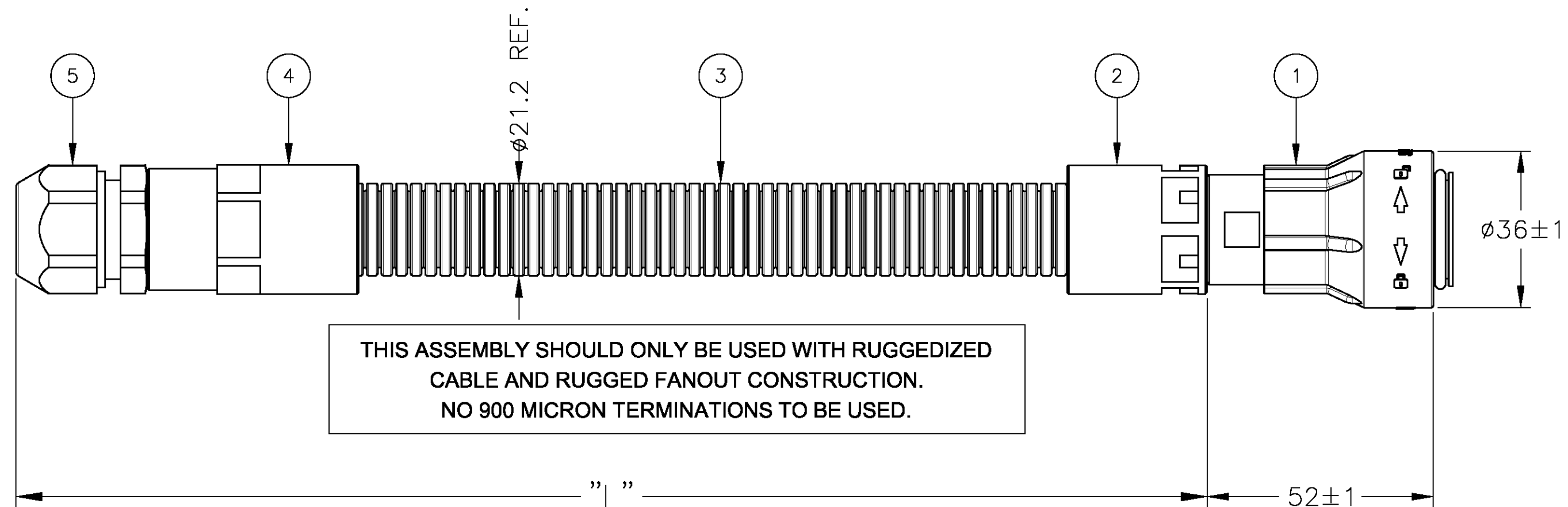
Email & Skype: info@chipsmall.com Web: www.chipsmall.com

Address: A1208, Overseas Decoration Building, #122 Zhenhua RD., Futian, Shenzhen, China

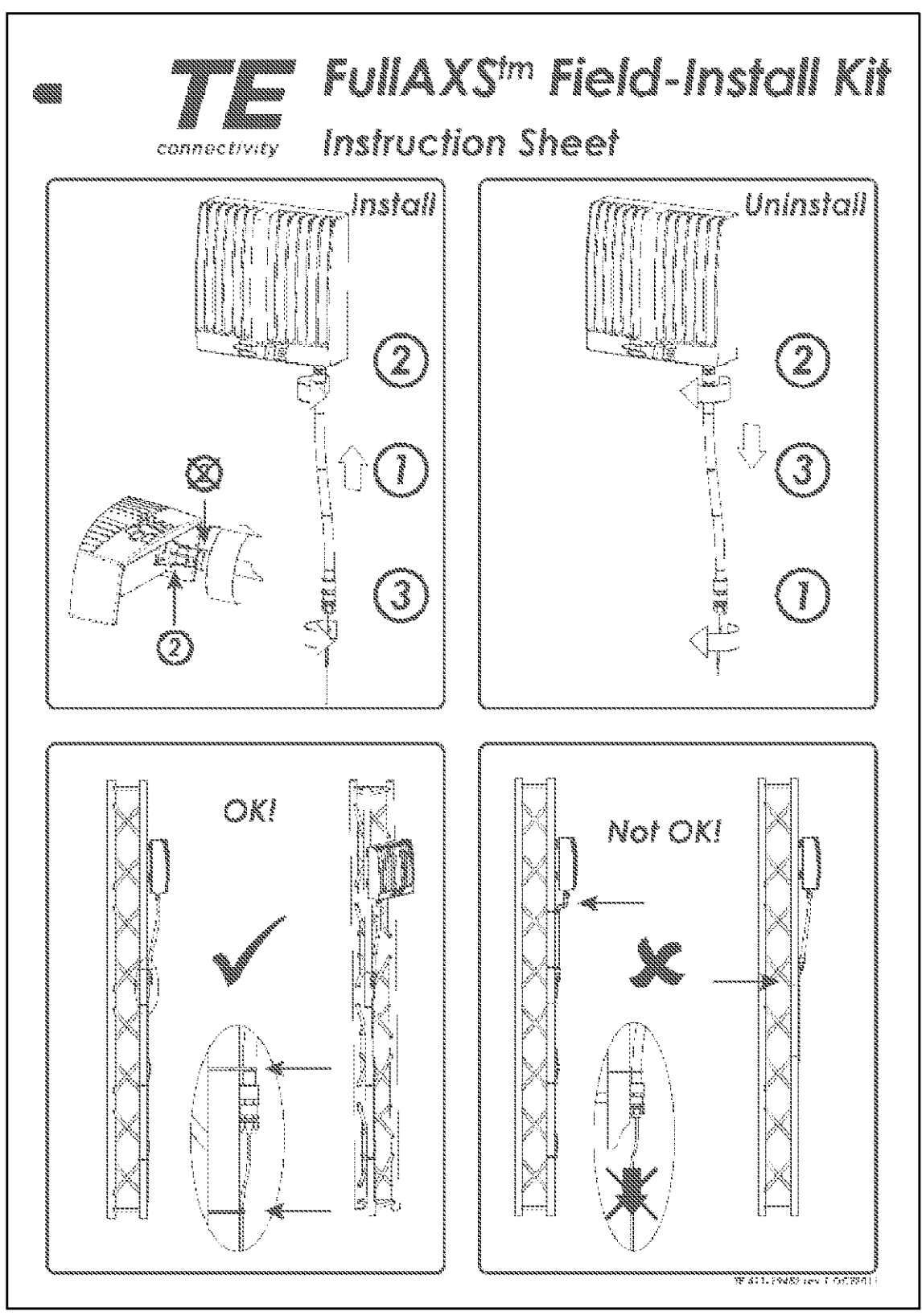


THIS DRAWING IS UNPUBLISHED. RELEASED FOR PUBLICATION
 © COPYRIGHT - By - ALL RIGHTS RESERVED.

LOC		DIST		REVISIONS			
P	LTR	DESCRIPTION	DATE	DWN	APVD		
C1	ECR-13-012380		06AUG2013	RC	SS		



1 EXAMPLE INSTRUCTION SHEET:



NOTES:

- 1 EACH FULLAXS FIELD-INSTALL KIT IS PACKED IN A PROTECTION SLEEVE WITH THE INSTRUCTION SHEET SHOWN
- 2 PACKED PER 40 ASSEMBLIES IN A BOX

PART NUMBER	"L" (meter)	CABLE DIAMETER
2061664-1	0.5 ±0.02	5.0-9.0 mm
2061664-2	0.3 ±0.02	5.0-9.0 mm
2061664-3	0.5 ±0.02	4.5-6.5 mm
2061664-4	0.3 ±0.02	4.5-6.5 mm
2061664-5	0.14 ±0.02	4.5-6.5 mm
2061664-6	0.35 ±0.01	4.5-6.5 mm
2061664-7	0.40 ±0.02	4.5-6.5 mm

1	FOAC CABLE GLAND PG16	5
1	FOAC CABLE CONDUIT ADAPTER, PG16 INSIDE THREADED, BLACK	4
1	FOAC CABLE CONDUIT, OUTSIDE DIAMETER 21.2 mm, BLACK	3
1	FOAC CABLE CONDUIT ADAPTER, PG16 OUTSIDE THREADED, BLACK	2
1	FOAC FULLAXS™ FIELD INSTALL COUPLING	1
Qty	Description	Item

THIS DRAWING IS A CONTROLLED DOCUMENT.

DWN	R. COOLEN	21MAR2012	
CHK	S. BORGAS	22MAR2012	
APVD	A. HENGELMOLEN	22MAR2012	
NAME			
DIMENSIONS: mm TOLERANCES UNLESS OTHERWISE SPECIFIED: 0 PLC ± - 1 PLC ± - 2 PLC ± - 3 PLC ± - 4 PLC ± - ANGLES ± - MATERIAL - FINISH -			PRODUCT SPEC - APPLICATION SPEC - WEIGHT - CUSTOMER DRAWING
FIBER OPTIC FIELD INSTALL ASSEMBLY			SIZE A2 CAGE CODE 00779 DRAWING NO. C-2061664 RESTRICTED TO -
SCALE NTS			SHEET 1 of 1
			REV C1