



Chipsmall Limited consists of a professional team with an average of over 10 year of expertise in the distribution of electronic components. Based in Hongkong, we have already established firm and mutual-benefit business relationships with customers from,Europe,America and south Asia,supplying obsolete and hard-to-find components to meet their specific needs.

With the principle of “Quality Parts,Customers Priority,Honest Operation,and Considerate Service”,our business mainly focus on the distribution of electronic components. Line cards we deal with include Microchip,ALPS,ROHM,Xilinx,Pulse,ON,Everlight and Freescale. Main products comprise IC,Modules,Potentiometer,IC Socket,Relay,Connector.Our parts cover such applications as commercial,industrial, and automotives areas.

We are looking forward to setting up business relationship with you and hope to provide you with the best service and solution. Let us make a better world for our industry!



Contact us

Tel: +86-755-8981 8866 Fax: +86-755-8427 6832

Email & Skype: info@chipsmall.com Web: www.chipsmall.com

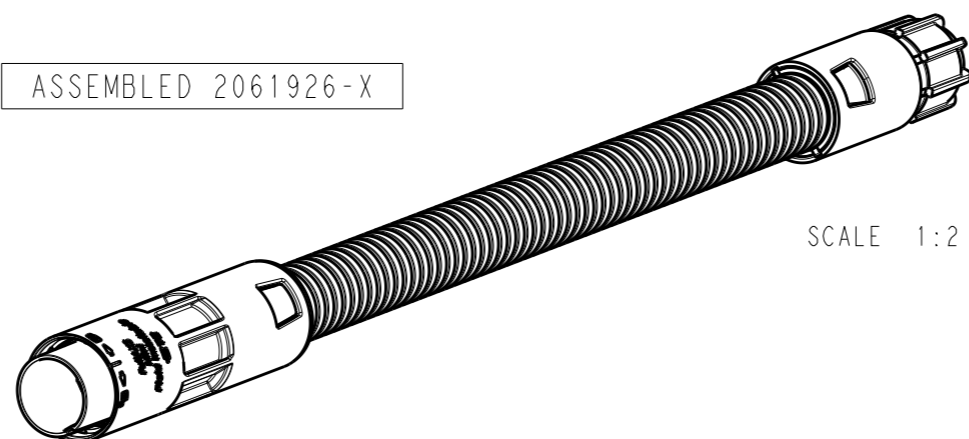
Address: A1208, Overseas Decoration Building, #122 Zhenhua RD., Futian, Shenzhen, China



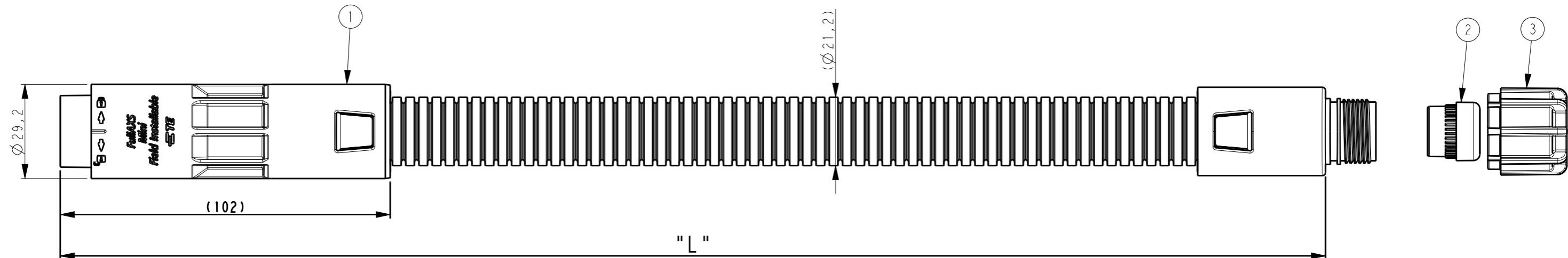
REVISIONS

P	LTR	DESCRIPTION	DATE	DWN	APVD
	A	RELEASE	02NOV2016	KZ	RS

ASSEMBLED 2061926-X



SCALE 1:2



TE Part Number	"L" (mm)	Cable Diameter
2061926-1	500 ±20	4.8±0.2 mm
2061926-2	300 ±20	4.8±0.2 mm

NOTES:

- THIS FIELD INSTALL KIT SHOULD BE USED WITH RUGGEDIZED CABLE AND RUGGED FAN-OUT CONSTRUCTION NO 900 MICRON TERMINATIONS TO BE USED.
- CABLE DIAMETER RANGE: SEE TABLE
- THE FLAMMABILITY RATING OF THE MATERIAL IS UL94-V0
- THE MATERIAL IS HALOGEN FREE ACCORDING IEC 60754-2
- EACH ASSEMBLY IS PACKED IN A PROTECTIVE SLEEVE - GLAND SEAL AND NUT ARE SEPARATELY SEALED
- AN INSTRUCTION SHEET IS PACKED WITH EACH FIELD INSTALL KIT

Item	Description	Qty
3	FuIIFLEX MINI FIELD INSTALL NUT FOR CABLE GLAND	1
2	FuIIFLEX MINI FIELD INSTALL CABLE GLAND SEAL	1
1	FuIIFLEX MINI FIELD INSTALL CORRUGATED TUBE with COUPLING	1

THIS DRAWING IS A CONTROLLED DOCUMENT.		DWN R. COOLEN 08APR2015		TE Connectivity			
DIMENSIONS: mm 		CHK M. SCHOLTEN 08APR2015				NAME FuIIFLEX MINI FIELD INSTALL KIT	
		APVD S. BORGAS 08APR2015					
TOLERANCES UNLESS OTHERWISE SPECIFIED:		PRODUCT SPEC		SIZE			
0 PLC ±0,5 1 PLC ±0,25 2 PLC ±0,03 3 PLC ±0,005 4 PLC ±0,0010 ANGLES ±1		APPLICATION SPEC		CAGE CODE			
MATERIAL		WEIGHT		DRAWING NO			
-		-		A3 - C-2061926			
-		-		RESTRICTED TO			
-		-		-			
CUSTOMER DRAWING				SCALE 4:5 SHEET 1 OF 1 REV A			